

ALL FRAMING LUMBER TO BE HEM-FIR #2 & BETTER.

FOUNDATION

FLOATING MONOLITHIC SLAB - BROOM FINISH
4000# / 6 BAG MIX / 4% AIR-ENTRAINED
4" MIN THICK SLAB, 8" WIDE X 8" THICK PERIMETER
6X6 10 GA. WELDED WIRE MESH REINFORCED
2 @ 1/2" REBAR PERIMETER, SHARP BEND @ CORNERS
2" MIN COVERAGE ON ALL REINFORCEMENT
4" MIN COMPACTED GRANULAR FILL BASE
TOP OF SLAB 6" MIN ABOVE GRADE
1 COURSE 6" CONCRETE BLOCK
1/2" X 12" VERT REBAR @ 48" O/C GROUT SOLID

ANCHOR BOLTS:

1/2" X 16" RIGHT ANGLE - 7" EMBEDDED, 2" MIN EXPOSED
7" FROM OUTSIDE CORNERS - EACH WAY
11' 6" & 12' 6" FROM REAR CORNER - EACH SIDE
6' 0" MAX SPACING
GROUT CORES SOLID AT ANCHOR BOLT LOCATIONS

24" CONCRETE APRON - 1/2" EXPANSION JOINT - SLOPE AWAY @ 1/4"/FT

WALL FRAMING

8' 0" CEILING HEIGHT (SLAB TO TOP PLATE)
2" X 4" STUDS @ 16" O/C WITH 2" X 6" TREATED SOLE PLATES & SEAL
DOUBLE 2" X 4" TOP PLATES. STAGGER TOP PLATE SEAMS 48" MIN -
INTERLOCK AT CORNERS
12' 0" TREATED SOLE PLATES FROM BACK EDGE - BOTH SIDES

OVERHEAD DOOR ROUGH OPENING

16' 0" X 6' 11-1/4" (ADD 3" TO ROUGH OPENING WIDTH FOR MASONARY
OPENING)
2 @ 2" X 12" BUILT-UP HEADER WITH DOUBLE TRIMMERS @ EACH SIDE OF
ROUGH OPENING. DOOR TRIMMERS EXTEND TO SLAB AT MASONARY OPENINGS.

SERVICE DOOR ROUGH OPENINGS

38" X 82" (3' 0" SERVICE DOOR, FLUSH, STEEL, W/BRICKMOLD) (DOORCRAFT
#EL-1) (ADD 3" TO ROUGH OPENING WIDTH FOR MASONARY OPENING)
2 @ 2" X 6" BUILT UP HEADER WITH SINGLE TRIMMERS @ EACH SIDE OF ROUGH
OPENING. DOOR TRIMMERS EXTEND TO SLAB AT MASONARY OPENINGS.

WINDOW ROUGH OPENING

46-1/2" X 20-1/2" (ALUMINUM SLIDER, NO BRICKMOLD) (HAYFIELD #M260)
2 @ 2" X 6" BUILT-UP HEADER WITH SINGLE TRIMMERS AT EACH SIDE OF ROUGH
OPENING.

ROOF FRAMING - ATTIC TRUSS

10:12 ATTIC TRUSS 24" O/C (12' 0" STORAGE WIDTH)
2" X 8" BOTTOM CHORD, 40 LBS/SQ FT LOADING - 3/4" T&G OSB FLOOR
2" X 4" CONTINUOUS HORIZ. STRONGBACKS AT EACH SIDE OF STORAGE AREA.
45° - 2" X 4" BRACES FROM GABLE TRUSS TO STRONGBACKS. (2 PER GABLE)

OVERHANG - 12"

1" X 2" LEDGER
2" X 4" LOOKOUTS (USE TRUSS TAIL CUT-OFFS)
3/8" CEDAR PLYWOOD SOFFIT
1" X 6" FASCIA WITH 1" X 2" DRIP EDGE

RAKE - FLUSH

1/2" SPACER
1" X 6" FASCIA WITH 1" X 2" DRIP EDGE

SHEATHING

OSB EXTENDS TO ROUGH OPENINGS
7/16" OSB WALL SHEATHING TO UNDERSIDE OF RAFTER TAILS AND TO
UNDERSIDE OF ROOF SHEATHING AT GABLES.
7/16" OSB ROOF SHEATHING W/ "H" CLIPS. EDGE OSB ROOF SHEATHING FLUSH
WITH RAFTER TAIL FACE

ROOFING

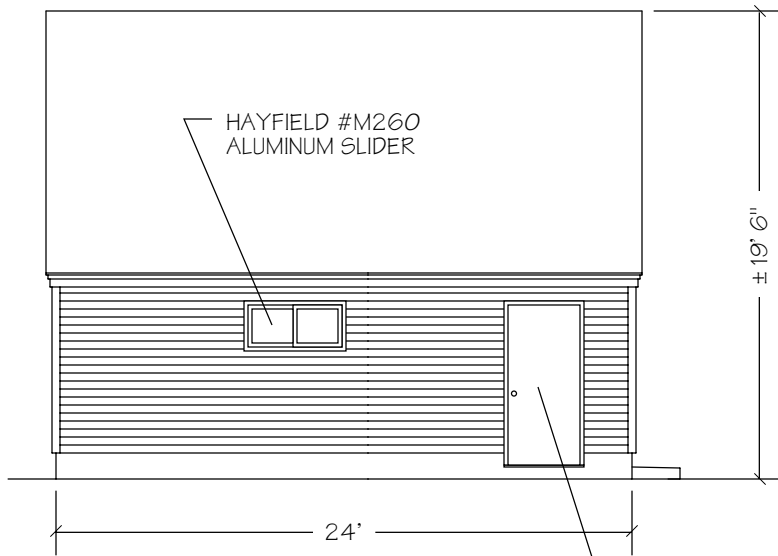
ICE & WATER SHIELD FROM ROOF EDGE TO 24" BEYOND PLATE LINE
15# FELT UNDERLAYMENT, SELF SEALING SHINGLES.
EXTEND SHINGLES 3/4" BEYOND FACE OF 1" X 2" DRIP EDGE

SIDING

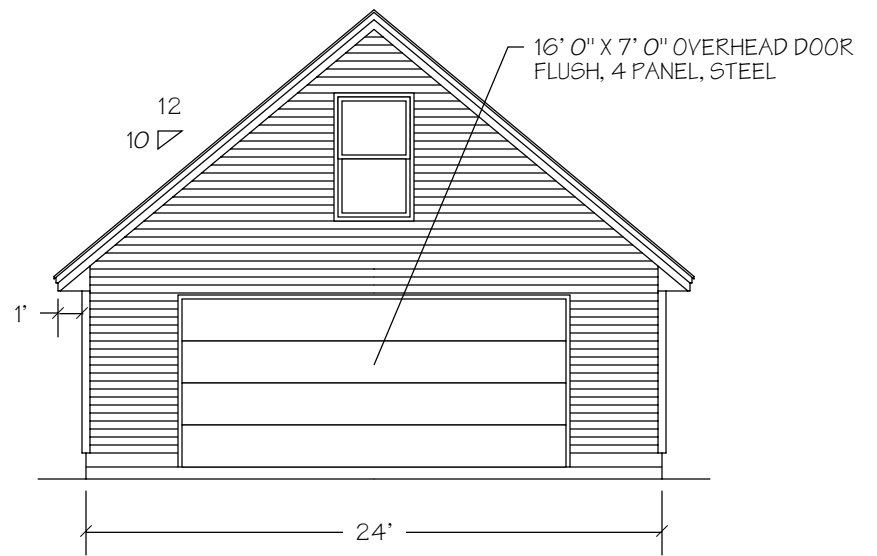
FINISH SIDING PER OWNER SELECTION
FLASH ALL EXTERIOR WALL OPENINGS

TRIM

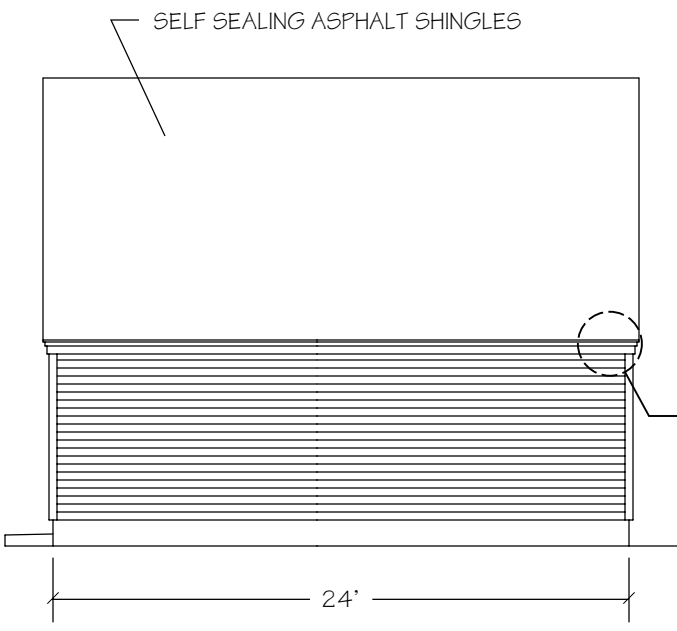
1" X 4" JAMB AT OVERHEAD DOOR
3/4" QUARTER ROUND COVE - OR - 1" X 2" COVE BOARD
BRICKMOLD APPLIED ON TOP OF WALL SHEATHING.



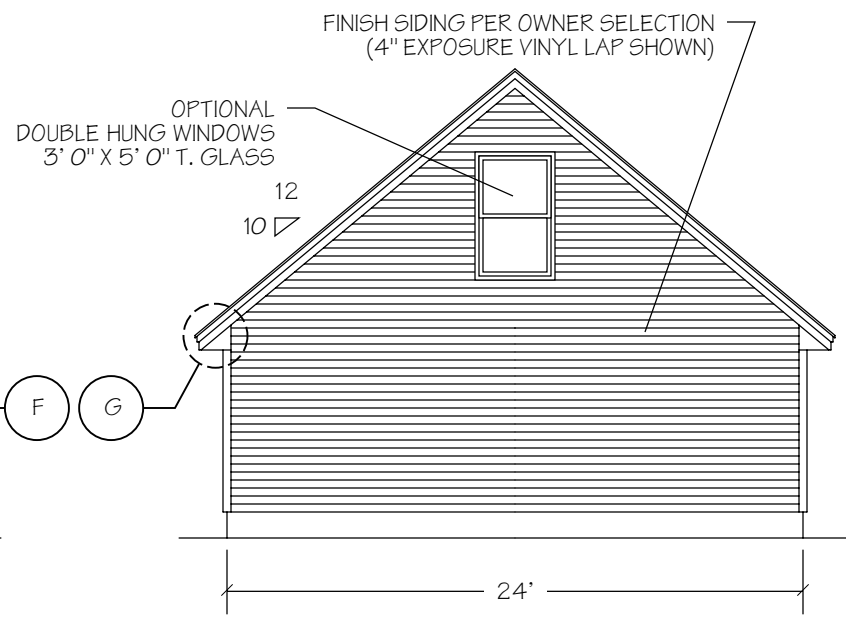
EAST



NORTH



WEST



SOUTH

DOORCRAFT #EL-1
FLUSH, STEEL, BRICKMOLD APPLIED

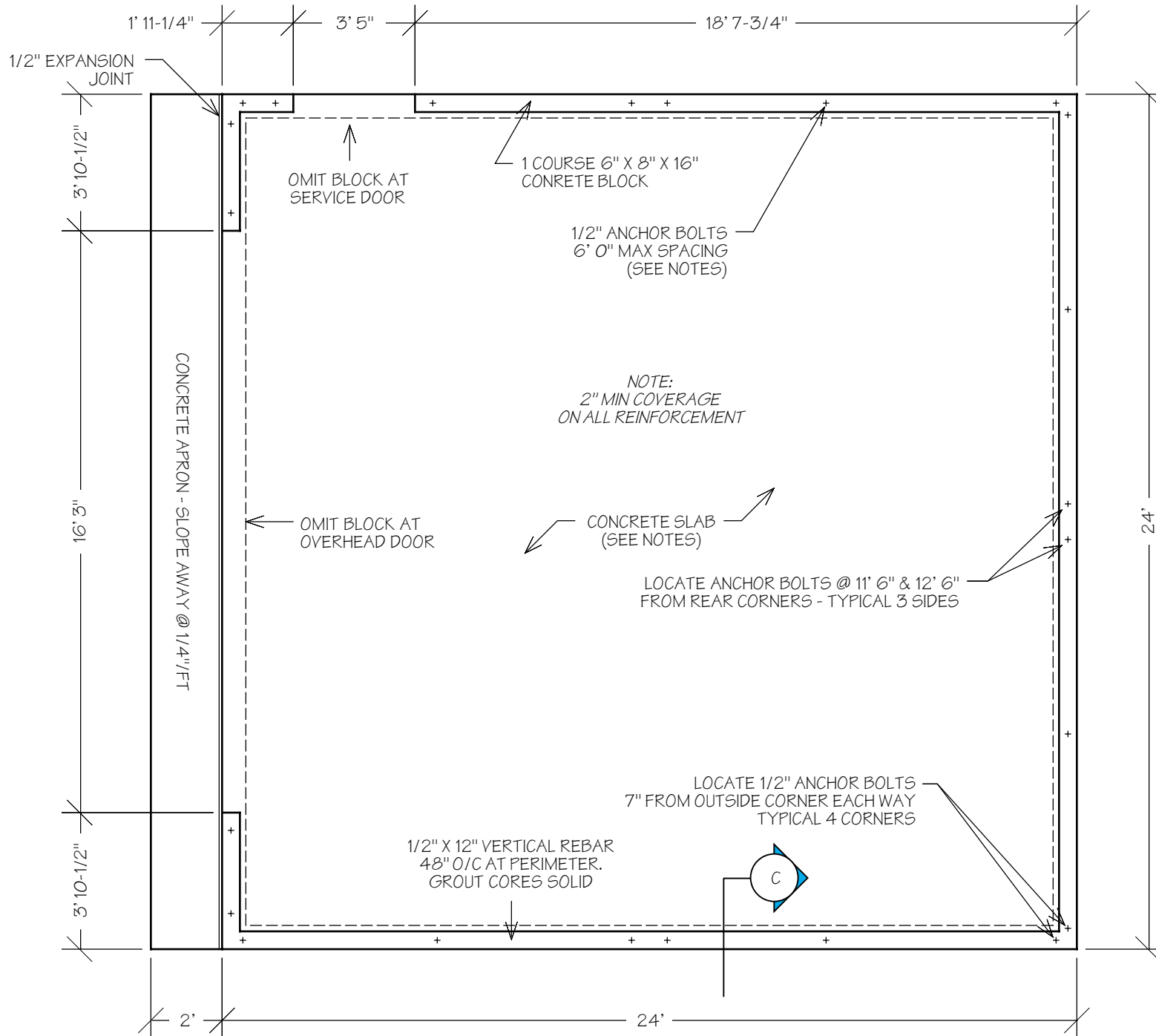
SELF SEALING ASPHALT SHINGLES

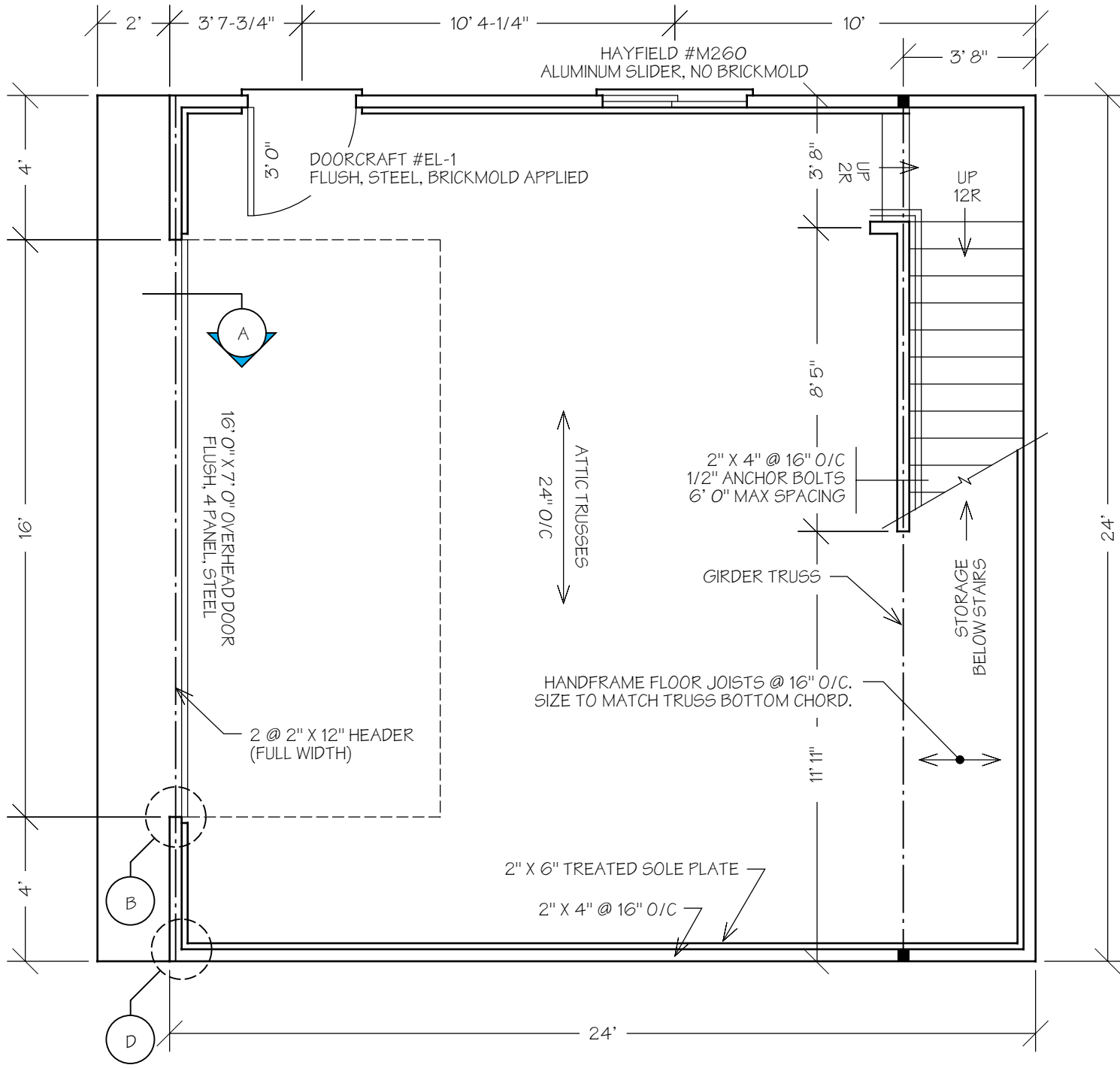
FINISH SIDING PER OWNER SELECTION
(4" EXPOSURE VINYL LAP SHOWN)

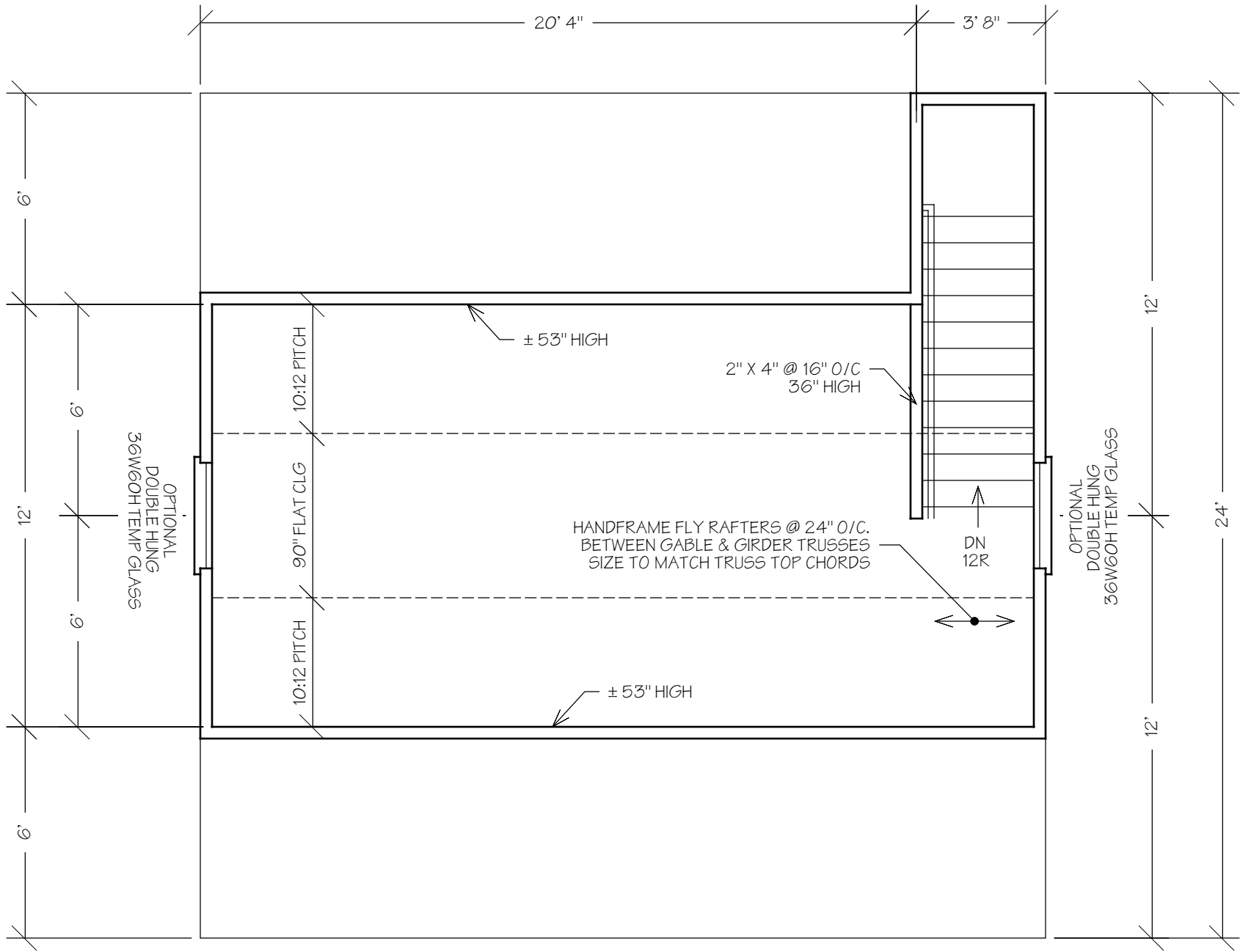
OPTIONAL
DOUBLE HUNG WINDOWS
3' 0" X 5' 0" T. GLASS

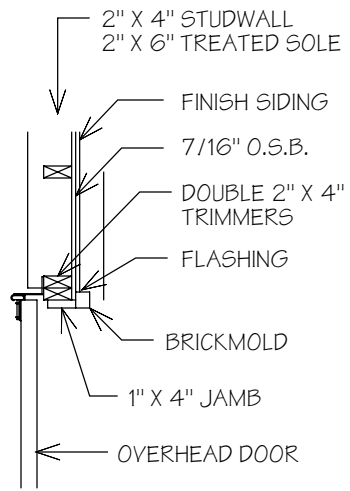
HAYFIELD #M260
ALUMINUM SLIDER

16' 0" X 7' 0" OVERHEAD DOOR
FLUSH, 4 PANEL, STEEL

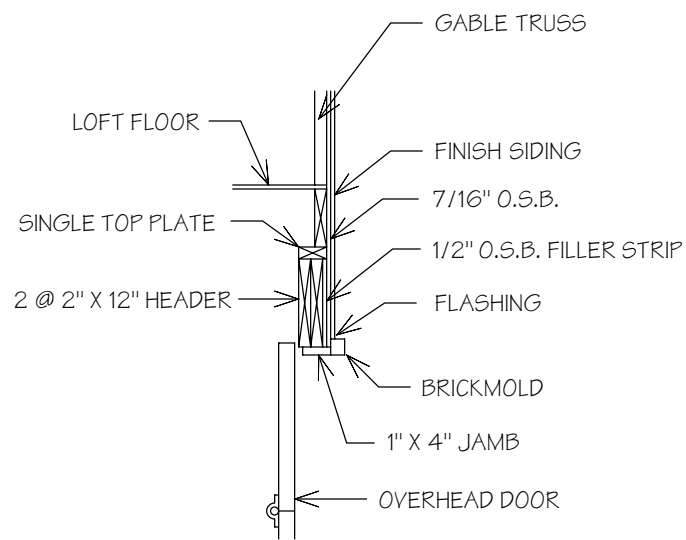




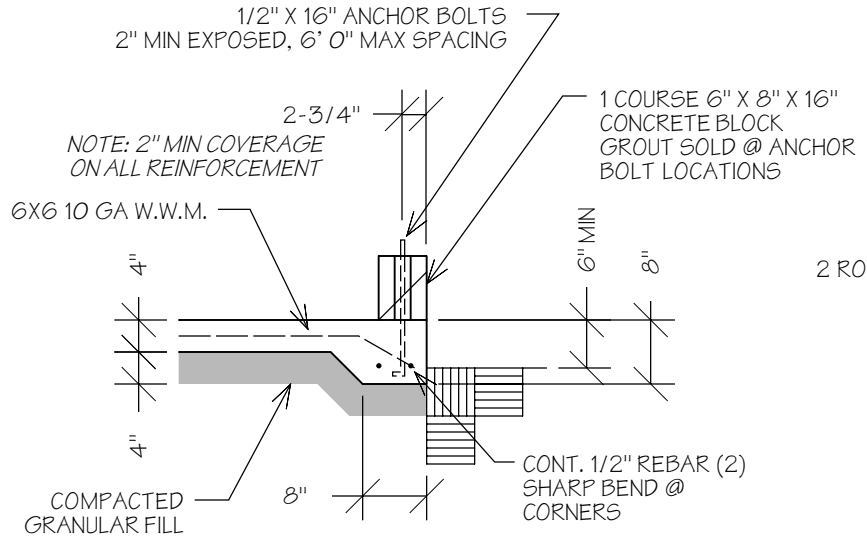




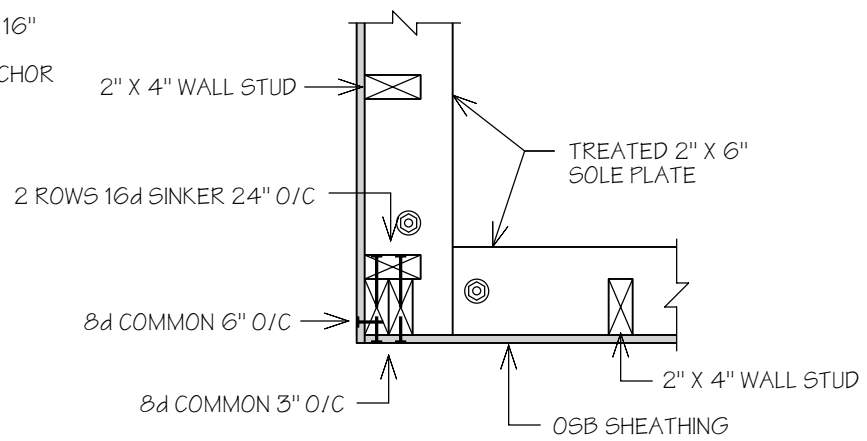
(A) SECTION THRU OHD JAMB
SCALE: 1/2" = 1' 0"



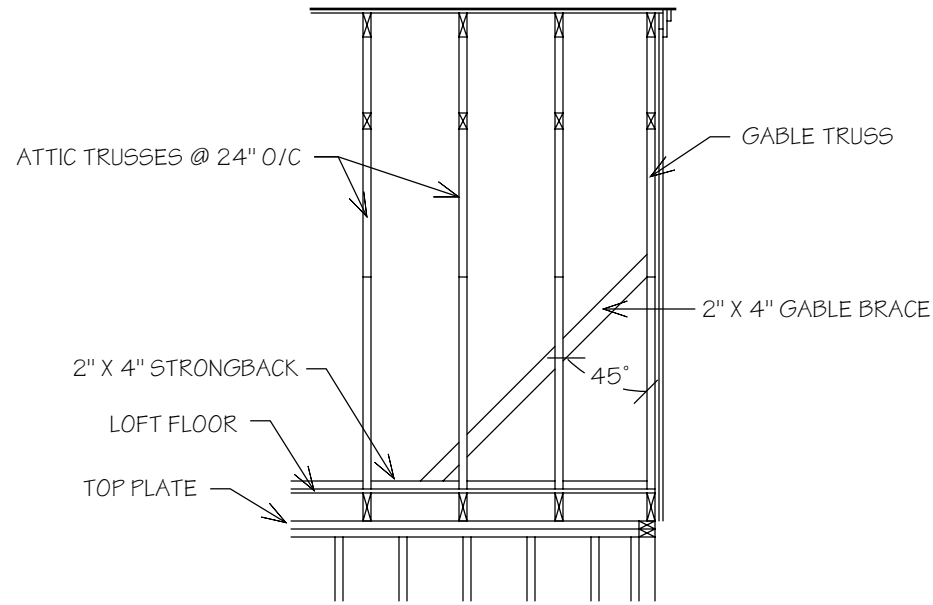
(B) SECTION THRU OHD HEADER
SCALE: 1/2" = 1' 0"



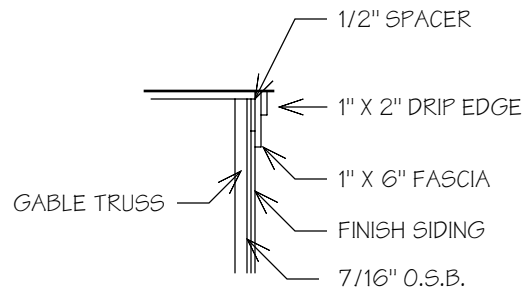
(C) SLAB EDGE DETAIL
SCALE: 1/2" = 1' 0"



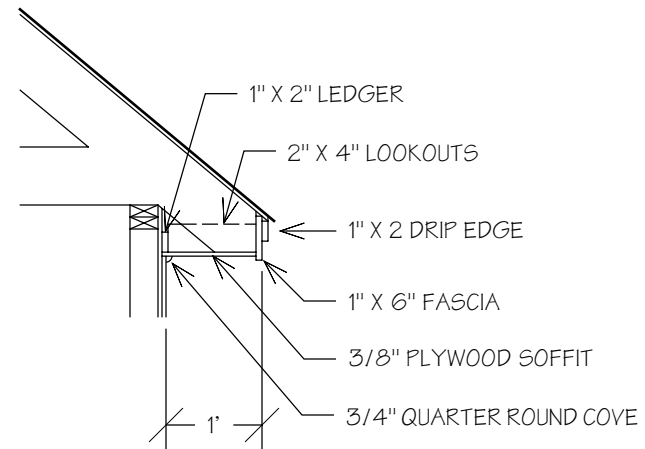
(D) CORNER FRAMING DETAIL
SCALE: 1" = 1' 0"



(E) GABLE BRACE DETAIL
SCALE: 1/4" = 1' 0"



(F) GABLE RAKE DETAIL
SCALE: 1/2" = 1' 0"



(G) OVERHANG DETAIL
SCALE: 1/2" = 1' 0"

