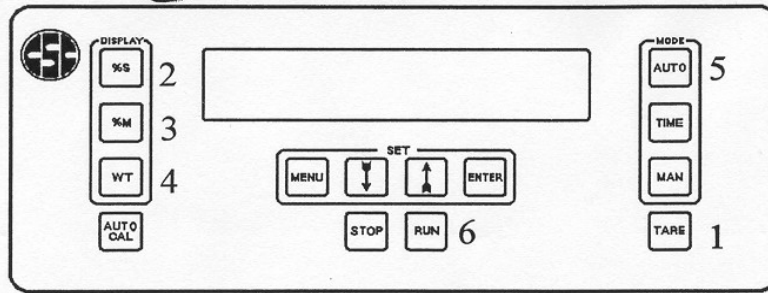


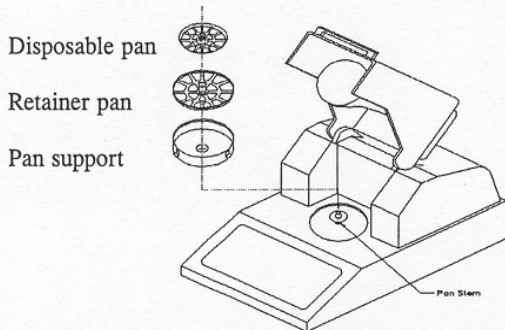
Quick Start - Up Guide

CSC Digital Moisture Balance



1) Turn power ON. Switch is located at the left rear of the instrument. (This switch may be left in the ON position at all times to eliminate the need for warmup.) Allow the CSC Digital Moisture Balance to warm up for 20 minutes before starting operation. **NOTE if the instrument is not allowed to warm up for this time, the results of the first test may not be accurate.*

2) CSC Digital Moisture Balance Pan Assembly



- a. Lift lid to moisture chamber to reveal pan stem.
- b. Insert pan support over pan stem, making sure it does not touch the stem itself.
- c. Place retainer pan on the pan stem.
- d. The disposable sample pan rests on the inside of the retainer pan.
- e. The results could be inaccurate if either of the two pans touch the pan support.

3) Running a Test.

- Place an empty disposable sample pan on the retainer pan.
 - Press the **TARE** key to zero out the weight of the sample pan. (#1 on diagram above)
- 4) Load sample to desired weight. (For best results 5 grams is recommended) Close the lamp housing.
 - 5) To run a test using the factory default settings, press the **AUTO** key (#5 above) and then the **RUN** key (#6 above). The unit will default to preset automatic parameters with a bulb intensity of 50. **NOTE: To customize test parameters and heat setting for your sample refer to manual (pgs. 15-17) or call 1-800-458-2558 for technical assistance.**
 - 6) During or after a test, it is possible to display the results of the test by pressing the appropriate display function: %S for solids (#2 above), %M for moisture (#3 above), or WT for weight (#4 above). If no selection is made - instrument will default to %M for moisture.
 - 7) A beeper tone signals when the test is complete or when the **STOP** key is pressed. Test results will remain on display screen and can be sent to a printer, if desired. (Keypad will remain locked for 6 seconds.) To clear test results, press the **TARE** key (#1 above).

NOTE: For Best Results - Instrument should be level and free of drafts and vibrations. Avoid water damage by not allowing unit to get wet!