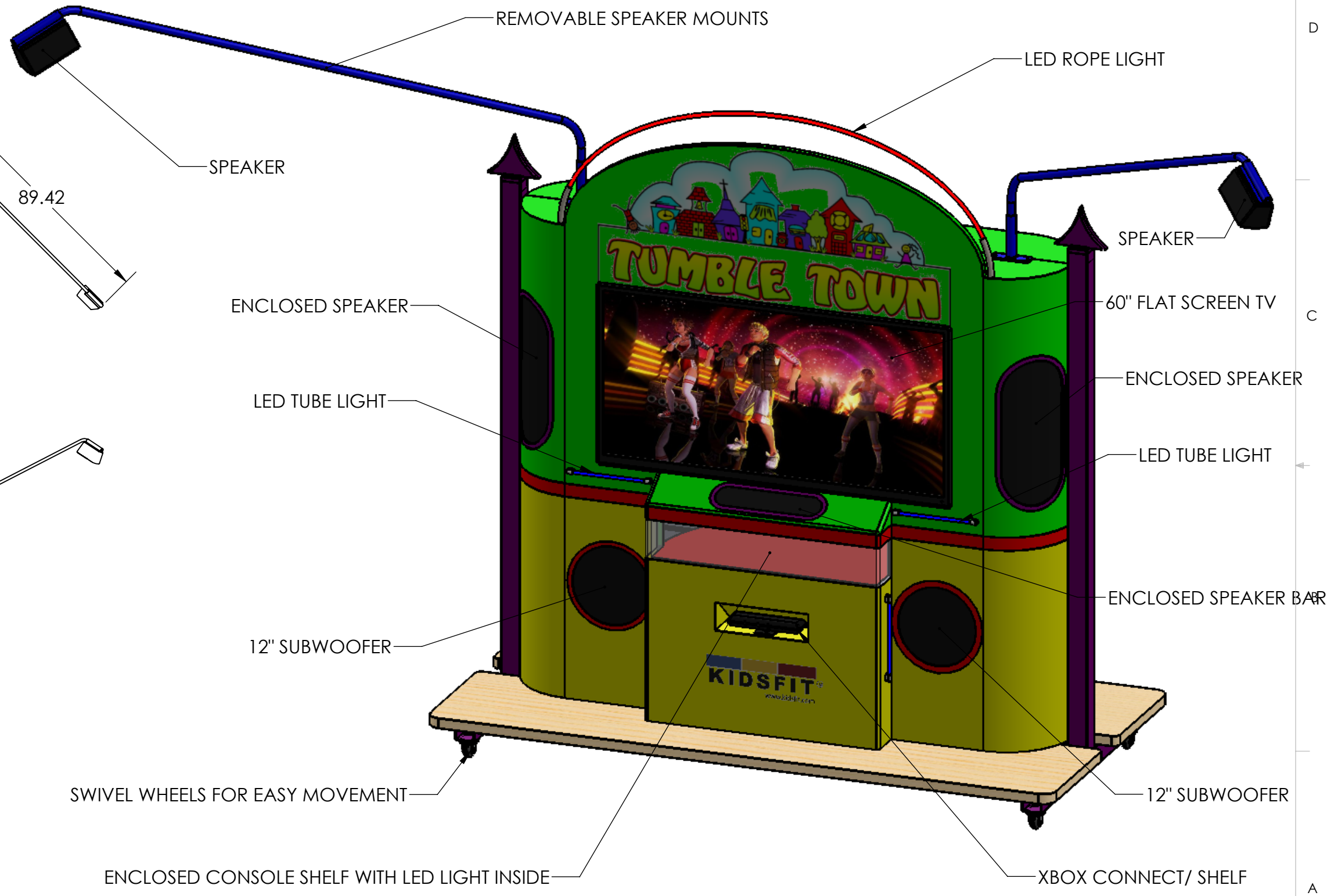
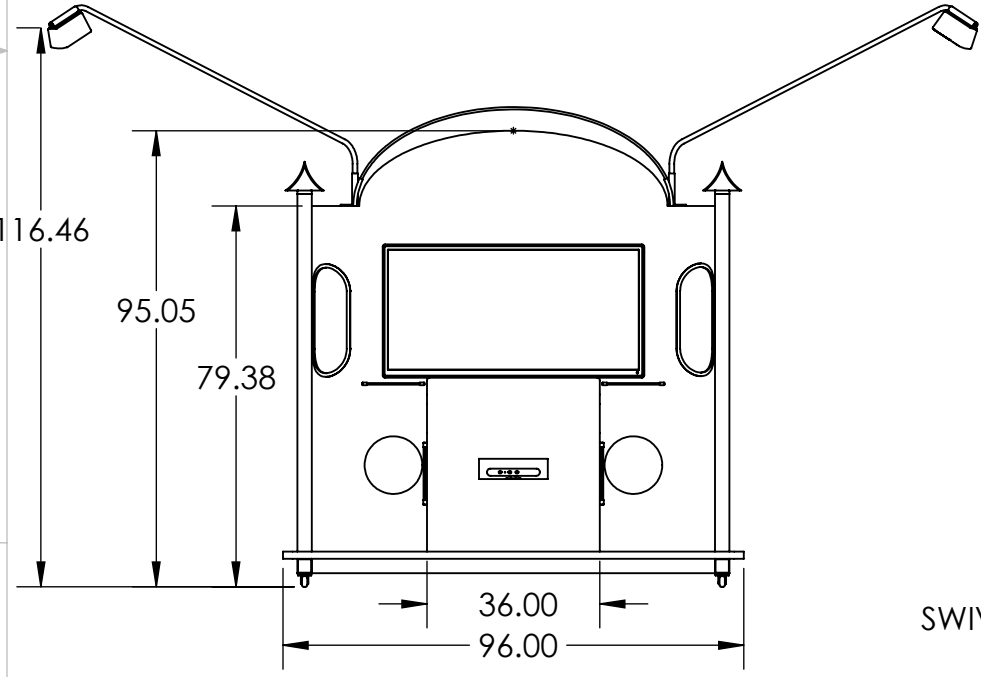
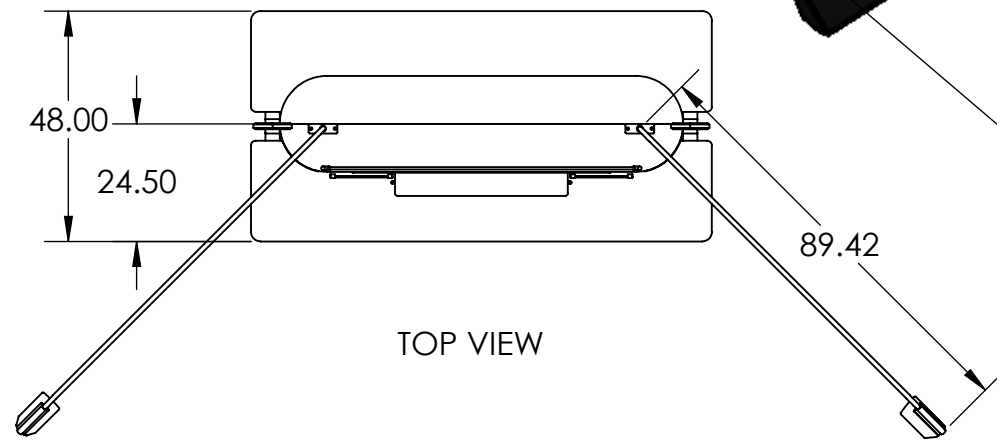


TUMBLE TOWN KIOSK/ ENTERTAINMENT CENTER FEATURES AND DIMENSIONS

7/25/13

D
C
B
A



8 7 6 5 4 3 2 1