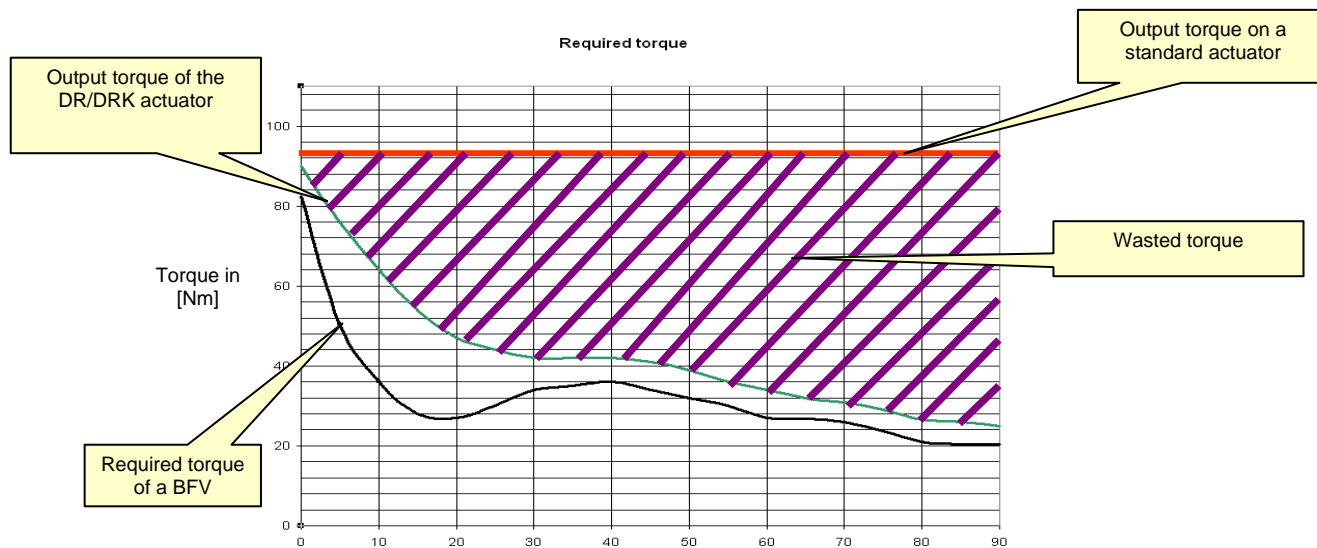


DR and DRK Actuators for 4" and 6" Butterfly Valves

Belimo's new DR non spring return actuators and DKR electronic fail-safe actuators offered on the 4" HD and 6" HDU set a new standard for control valves in the HVAC industry. The DR and DRK has a non-linear gear that matches the torque curve of the butterfly valve, high torque when the disc is engaged in the seat, less torque though out the rest of stroke providing an efficient use of torque.



FEATURES & BENEFITS

DR

- High torque (800 in-lb) offering a single actuator solution replacing two GM actuators.
- Terminal connection for easy installation.
- 35 second version offering quick closing.

DKR

- Selectable fail-safe version offering a wide range of positions (0-100% in 10% increments).
- Status LED displayed and a feedback signal for MFT versions allows user easy recognition during troubleshooting.
- Programmable delay to protect system against power loss dips (under 10 seconds).

DR or DKR with NEMA 4 Housing

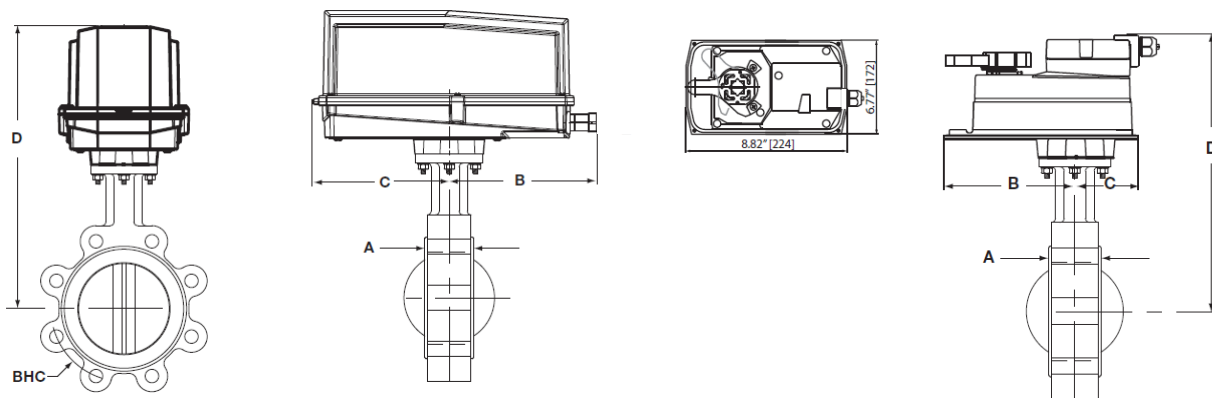
- Smaller housing offered on Belimo butterfly valves.
- Rugged housing to meet tough environmental conditions.
- Switch and potentiometer modules are protected inside the housing.

PRODUCT RANGE & TECHNICAL SPECIFICATIONS				
Product Range	DRCX24-3-T	DRCX24-3-T N4	DRX24-MFT-T DRCX24-MFT-T	DRX24-MFT-T N4 DRCX24-MFT-T N4
Control	On/Off, Floating Point	On/Off, Floating Point	Multi-Functional Technology	Multi-Functional Technology
Power Supply	24VAC ±20% 50/60 Hz, 24 VDC, +20/-10%	24VAC ±20% 50/60 Hz, 24 VDC, +20/- 10%	24VAC ±20% 50/60 Hz, 24 VDC, +20/-10%	24VAC ±20% 50/60 Hz, 24 VDC, +20/-10%
Transformer Sizing	12VA	12VA	12VA	12VA
Power Consumption (Holding)	9 W (2.0 W)	9 W (2.0 W)	9 W (2.0 W)	9 W (2.0 W)
Angle of Rotation	90°			
Torque / Force	800 in-lb	800 in-lb	800 in-lb	800 lbf
Running Time	35 seconds	35 seconds	150 seconds [35 seconds for DRCX]	150 seconds [35 seconds for DRCX]
Operating Temperature	-22°F to +122°F (-30 to 50°C)			
Housing	NEMA 2	NEMA 4	NEMA 2	NEMA 4

PRODUCT RANGE & TECHNICAL SPECIFICATIONS				
Product Range	DKRB24-3-T	DKRB24-3-T N4	DKRX24-MFT-T	DKRX24-MFT-T N4
Control	On/Off, Floating Point	On/Off, Floating Point	Multi-Functional Technology	Multi-Functional Technology
Power Supply	24VAC ±20% 50/60 Hz, 24 VDC, +20/-10%	24VAC ±20% 50/60 Hz, 24 VDC, +20/- 10%	24VAC ±20% 50/60 Hz, 24 VDC, +20/-10%	24VAC ±20% 50/60 Hz, 24 VDC, +20/-10%
Transformer Sizing	21VA	21VA	21VA	21VA
Power Consumption (Holding)	12W (3.0 W)	12W (3.0 W)	12W (3.0 W)	12W (3.0 W)
Angle of Rotation	90°			
Torque / Force	800 in-lb	800 in-lb	800 in-lb	800 lbf
Running Time	150 seconds	150 seconds	150 seconds [90-150 seconds]	150 seconds [90-150 seconds]
Signal – Actuator Not Charged	Continuous Yellow LED	Continuous Yellow LED	Continuous Yellow LED	Continuous Yellow LED
Fail-Safe Run Time	35 seconds			
Manually Set Fail-Safe Position	10° increments (0° to 100°)			
Operating Temperature	-22°F to +122°F (-30 to 50°C)			
Housing	NEMA 2	NEMA 4	NEMA 2	NEMA 4



PRODUCT DIMENSIONS



DR Dimensions

Valve Body	Inches	DN [mm]	A	B	C	D	Valve Body	Inches	DN [mm]	A	B	C	D
F6100HD	4"	100	2.05 [52.1]	7.34 [186]	6.77 [172]	15.47 [393]	F6100HD	4"	100	2.05 [52.1]	5.81 [148]	2.64 [67.1]	13.25 [337]
F6150HDU	6"	150	2.19 [55.6]	7.34 [186]	6.77 [172]	16.47 [418]	F6150HDU	6"	150	2.19 [55.6]	5.81 [148]	2.64 [67.1]	14.25 [362]

DK Dimensions

Valve Body	Inches	DN [mm]	A	B	C	D	Valve Body	Inches	DN [mm]	A	B	C	D
F6100HD	4"	100	2.05 [52.1]	7.34 [186]	6.77 [172]	20.47 [519]	F6100HD	4"	100	2.05 [52.1]	5.81 [148]	2.64 [67.1]	20.47 [519]
F6150HDU	6"	150	2.19 [55.6]	7.34 [186]	6.77 [172]	21.52 [546]	F6150HDU	6"	150	2.19 [55.6]	5.81 [148]	2.64 [67.1]	21.52 [546]

PRODUCT COMPARISON

No other company has an actuator that matches the torque curve of the butterfly valve.

LIST PRICING

DR Market Description	List Price	DK Market Description	List Price
F6100HD+DRCX24-3-T	\$1222	F6100HD+DKRX24-3-T	\$1842
F6100HD+DRCX24-MFT-T	\$1400	F6100HD+DKRX24-MFT-T	\$2202
F6100HD+DRX24-MFT-T	\$1400	F6100HD+DKRX24-3-T N4	\$2422
F6100HD+DRCX24-3-T N4	\$1699	F6100HD+DKRX24-MFT-T N4	\$2782
F6100HD+DRCX24-MFT-T N4	\$1877	F6150HDU+DKRX24-3-T	\$2273
F6100HD+DRX24-MFT-T N4	\$1877	F6150HDU+DKRX24-MFT-T	\$2633
F6150HDU+DRCX24-3-T	\$1348	F6150HDU+DKRX24-3-T N4	\$2853
F6150HDU+DRCX24-MFT-T	\$1523	F6150HDU+DKRX24-MFT-T N4	\$3213
F6150HDU+DRX24-MFT-T	\$1523		
F6150HDU+DRCX24-3-T N4	\$2252		
F6150HDU+DRCX24-MFT-T N4	\$2430		
F6150HDU+DRX24-MFT-T N4	\$2430		