



SE125 with 10m Fiberglass Whip Antenna

SPECIFICATION SHEET

5055 Belmont, Beaumont, TX 77707
Phone +409.842.1717/1.800.648.6158 (Toll Free in the US)
Fax +409.842.2987
sales@southernavionics.com

Application:

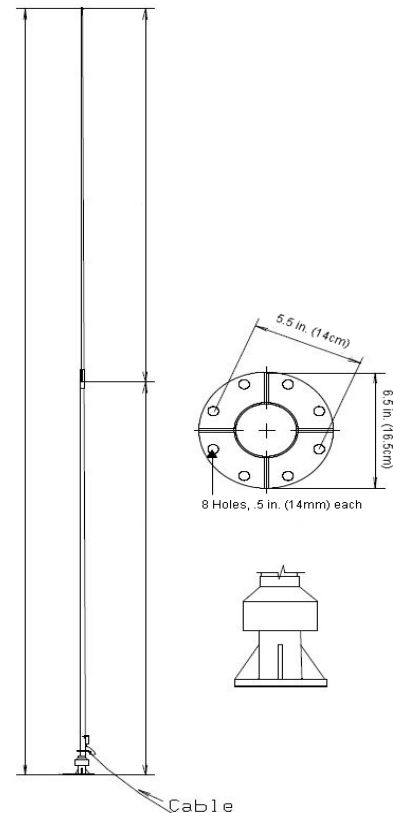
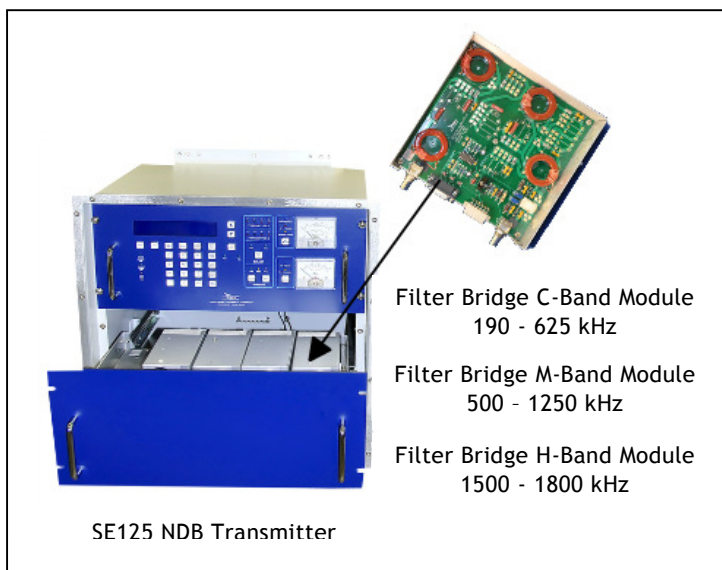
The SE125 NDB Transmitter can be used in conjunction with a SAC PC-1000C/3 Antenna Tuning Unit and a 10m Fiberglass Whip Antenna, with the addition of PCBs Filter Bridge M-Band Module (500 - 1250 kHz, SLE45210) and Filter Bridge H-Band Module (1500 - 1800 kHz, SLE45220). **Using all the modules, the system operates in a frequency range of 280 - 1800 kHz.**

The 10m Whip Antenna is a self supporting fiberglass transmitting antenna with side feed for marine NDB applications. Polyurethane lacquer finish (white).

The Antenna comes with a bronze flange for mounting. It can also be mounted directly to the deck. Optionally, it can be mounted with a tilting mechanism. *(See the next page for mounting options)*

The PC-1000C/3 unit is housed in an IP66-Certified aluminum enclosure for all weather operation. Operating power is supplied by SAC transmitter or optional 115/230VAC internal power supply.

*Information provided is subject to change without notice



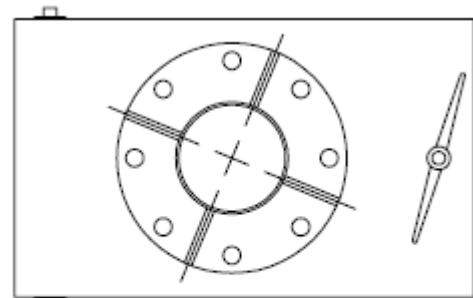
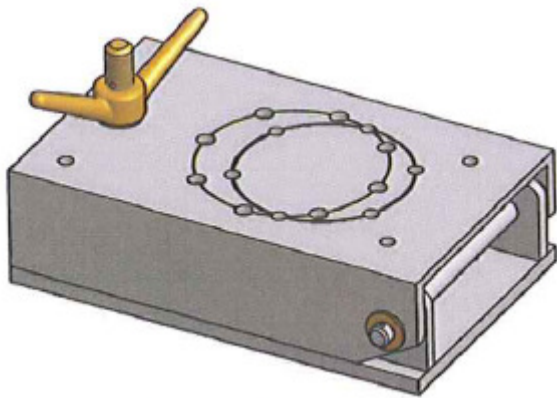
Mounting Options

Manual Tilting Mechanism

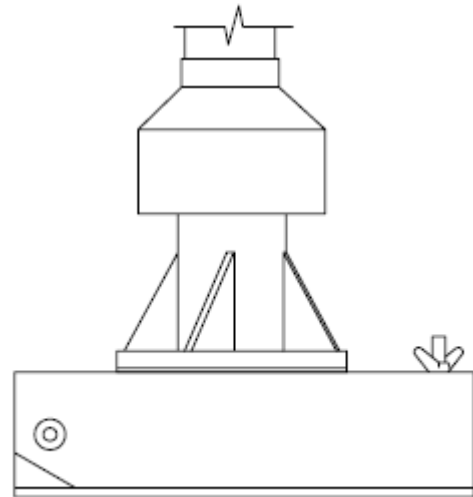
Part #: 9D180000

The Tilting Mechanism is designed for quick maintenance and repairs. The antenna can be lowered easily, without needing to dismount the antenna. The Tilting Mechanism is secured to the deck or a pedestal by 4, M12 bolts. The antenna itself is then mounted to the Mechanism by 8, M12 bolts. Hardware provided by the customer. Max tilting angle, 105°.

Weight: 35 lbs. (16kg)



TOP VIEW



SIDE VIEW

Offshore Installation

