

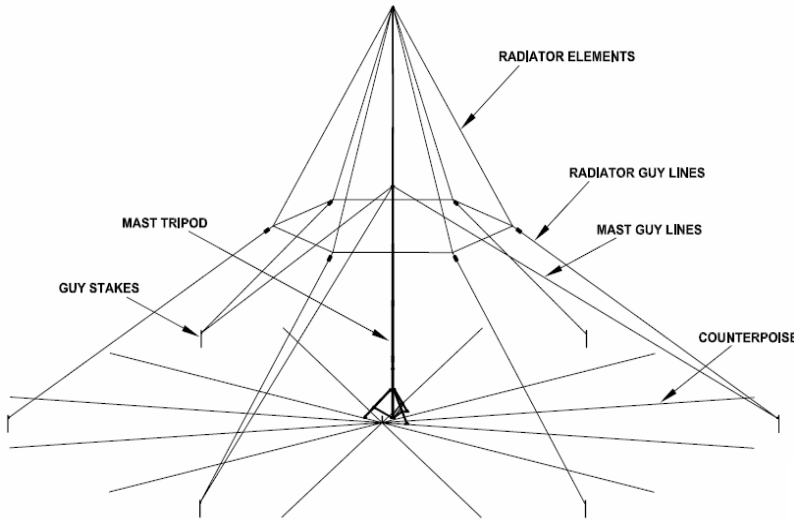


Diamond Portable Antenna

Part Number: SLF10082

SPECIFICATION SHEET

5055 Belmont, Beaumont, TX 77707
 Phone +409.842.1717/1.800.648.6158 (Toll Free in the US)
 Fax +409.842.2987
 sales@southernavionics.com



FEATURE	SPECIFICATION
Frequency	190 kHz - 1250 kHz
Power Output	400 W PEP
Capacitance	330 pF
Resistance	10 Ohms
Assembled Height	36 ft. (11m)
Optional Equipment	Portable Transmitter and ATU, Antenna Simulator

*Information provided is subject to change without notice



Portable Antenna Case (1)	
Feature	Specification
Height	77 in. (196cm)
Diameter	10 in. (25cm)
Packed Weight	85 lbs. (38.5kg)

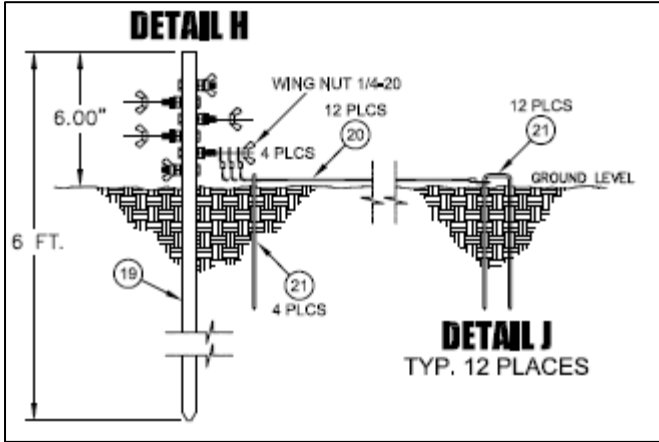
Application:

The Diamond Portable Antenna is a portable, full range, low/medium frequency guyed monopole mast antenna 36 ft. (11m) in height. Six radiating elements are spaced 60° apart using insulated guy lines. The radiating elements consist of a top-hat with down-sloped radials and a perimeter loop, for increased effective radiative height. This design enables one person to assemble and erect this antenna with minimal effort. Installation time can be reduced if additional people are available. The mast of this antenna is made of strong, durable, UV protected tubing. The Antenna Tripod is contained in an easily transportable case. Two small cargo bags are also included for the guy lines and radiator elements. These include all the necessary equipment for installation.

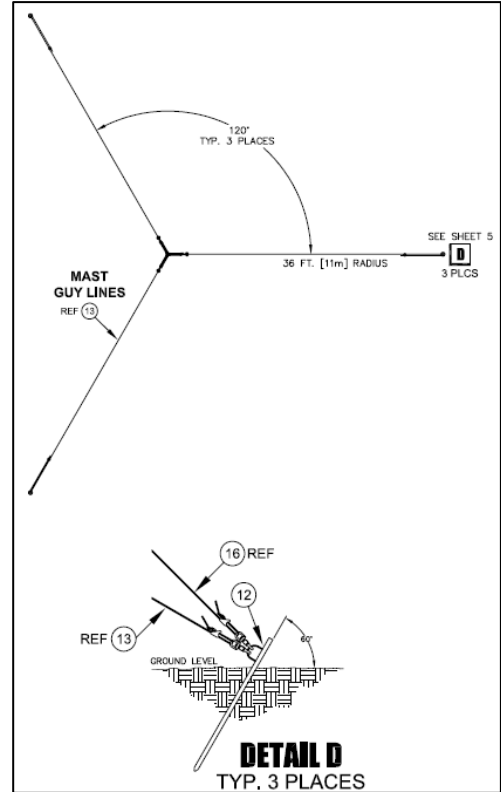
The sub-assemblies included are:

- Mast Tripod (P/N: SLM77255)
- Mast Guy line
- Radiator Elements

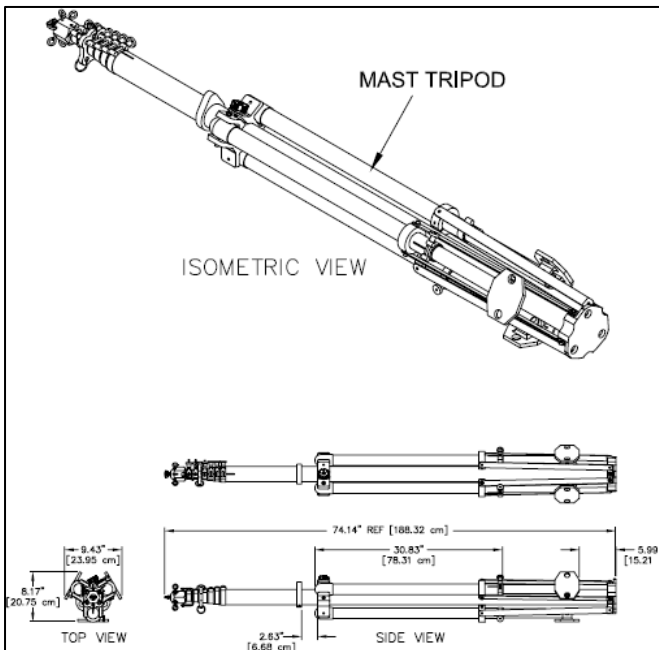
Portable Cargo Bags (2)	
Feature	Specification
Height	
Diameter	
Packed Weight	



Ground Rod Details



Guy Wire Anchor Details



Portable Mast Tripod Details

