

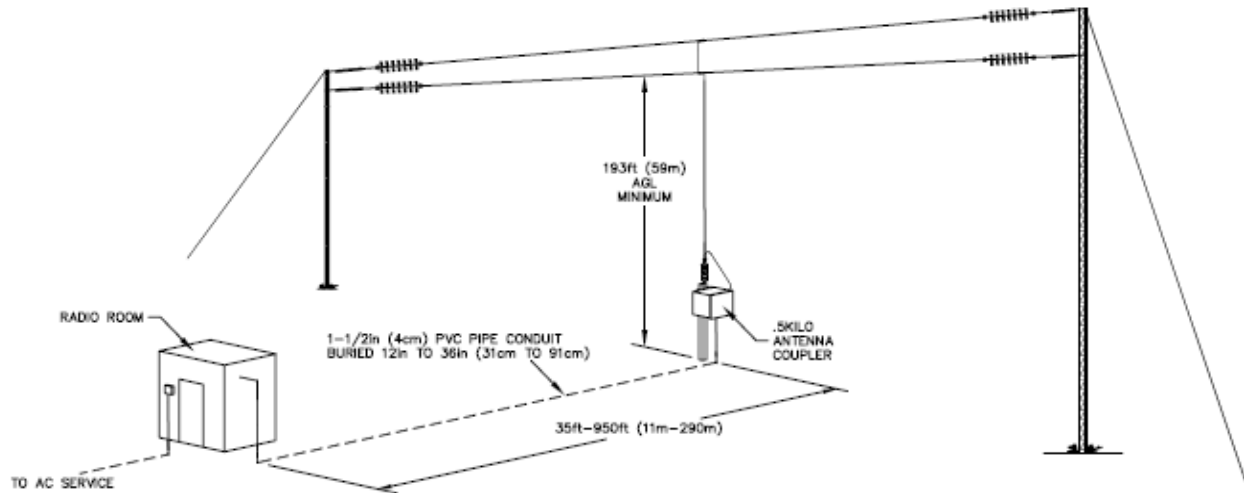


200 ft. High-Power Symmetrical T Antenna

Part Number: SLF10063

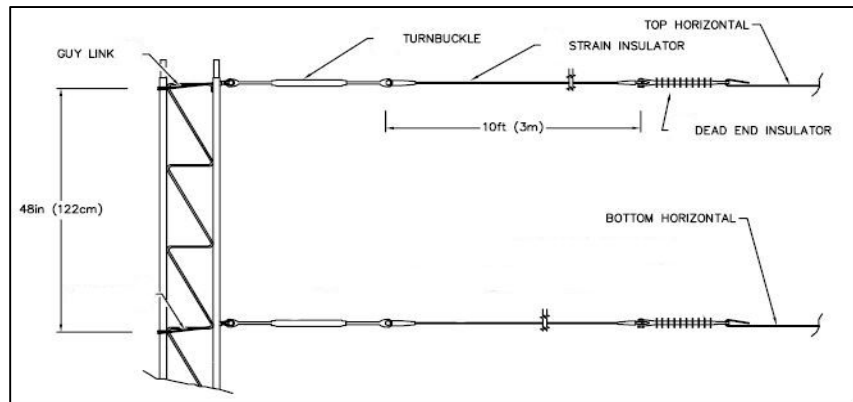
SPECIFICATION SHEET

5055 Belmont, Beaumont, TX 77707
Phone +409.842.1717/1.800.648.6158 (Toll Free in the US)
Fax +409.842.2987
sales@southernavionics.com



PC-.5 Kilo ATU Symmetrical "T" Antenna Plan

Horizontal Adjustable End,
Metal Tower



Application:

A Symmetrical "T" Antenna is recommended for use with a 500 - 1000 Watt transmitter, if sufficient land is available. It is the optimal land based antenna system. Signal range is a result of field strength which depends on TX power, electrical length and ground conditions

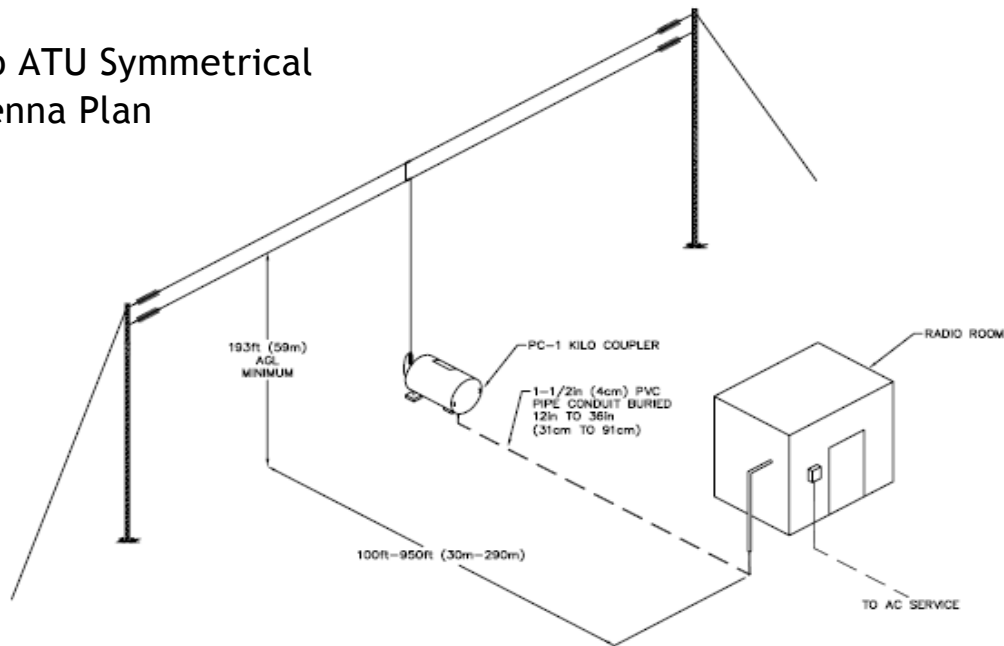
200 ft. (61m) grounded towers are required. They may be purchased from SAC or self-supplied. Towers are placed 300 ft. (91m) apart and have a 195 ft. (59m) vertical radiator with a 2 wire 280 ft. (85m) top hat. 3 guy wires support each tower.

The Antenna is designed for use with the PC-.5 Kilo or PC-1 Kilo Antenna Tuning Units which can have an optional AC power supply installed.

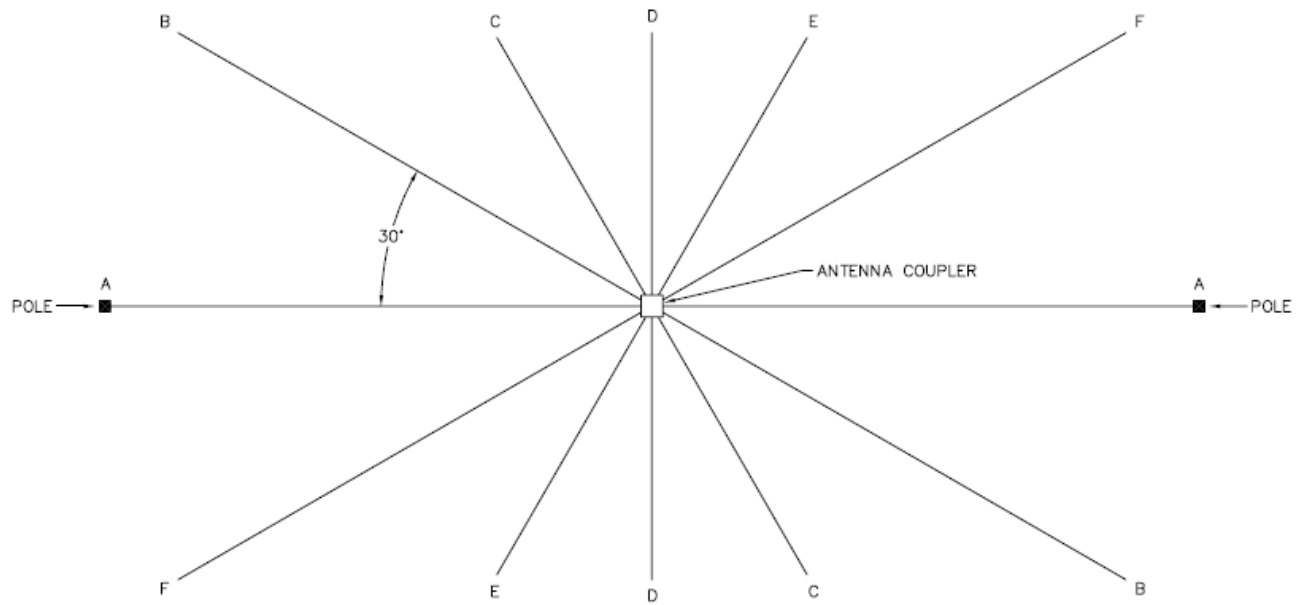
*Information provided is subject to change without notice

| FEATURE | SPECIFICATION |
|--|---|
| System Resistance | Typically 10 Ohms for good ground |
| Power Rating | 4000 Watts PEP |
| Capacitance | 935pF |
| Frequency of Operation | 190 - 535 kHz |
| Range (500W Transmitter) over Good Ground | 240 nautical miles at 190kHz to 175 nautical miles at 535kHz |
| Range (1000W Transmitter) over Good Ground | 280 nautical miles at 190 kHz to 220 nautical miles at 535 kHz |
| Polarization | Vertical (Omni-directional pattern) |
| Electrical Length | 164 ft. (50m) |
| Wind Rating | 130 mph (209kmph) |
| Height | 200 ft. (61m) |
| Ground Plot Requirements | 160ft (49m) x 630ft (192m) |
| Weight of installed towers | 1700 lbs. (772kg) |
| Optional Equipment | Optional Supports, Installation Kit, Antenna Simulator, Obstruction Lights, Anti-Ice Insulators |
| Temperature Range | -50° - +70°C |
| Ice Rating | Derate Wind Rating with any ice accumulation |
| 12 Radial Ground System | 1500 ft. (457m) of #10 AWG soft-drawn copper wire, 13 (thirteen) 2m ground rods, ground clamps, associated hardware |

PC-1 Kilo ATU Symmetrical "T" Antenna Plan

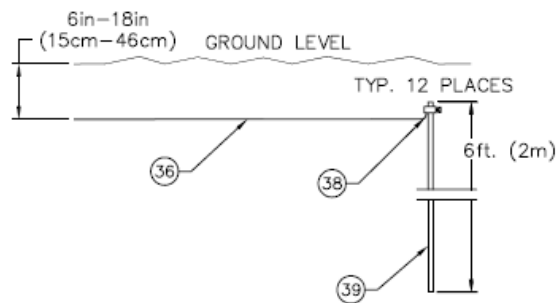


Counterpoise Diagram



LENGTH OF

| | | | |
|-------|---|---------|--------|
| A-A | = | 300 ft. | (91m) |
| B-B | = | 300 ft. | (91m) |
| C-C | = | 170 ft. | (52m) |
| D-D | = | 150 ft. | (46m) |
| E-E | = | 170 ft. | (52m) |
| F-F | = | 300 ft. | (91m) |
| TOTAL | | 1390ft. | (424m) |



SIDE VIEW