

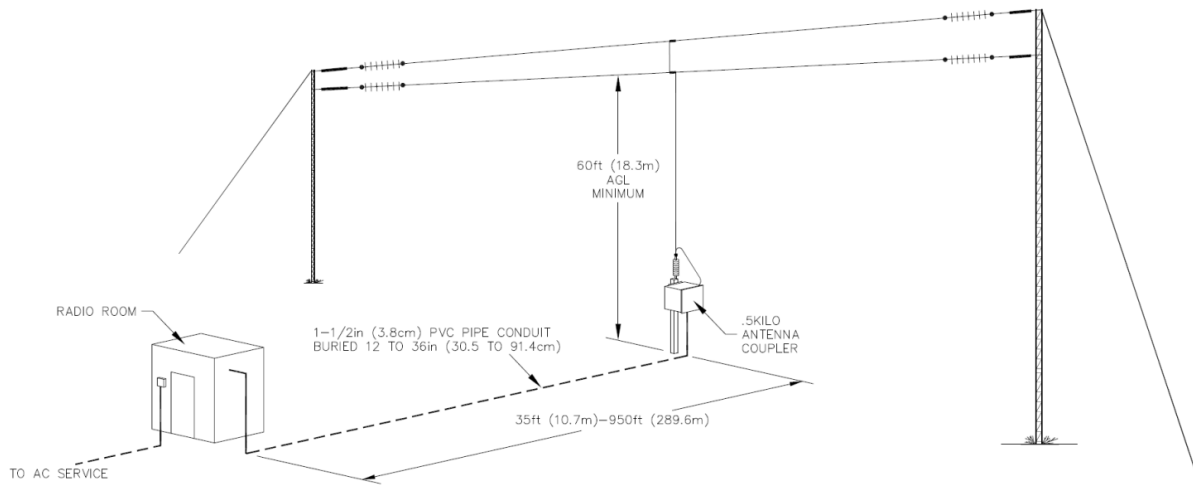


60 ft. High-Power Symmetrical T Antenna

Part Number: SLF10063

SPECIFICATION SHEET

5055 Belmont, Beaumont, TX 77707
 Phone +409.842.1717/1.800.648.6158 (Toll Free in the US)
 Fax +409.842.2987
 sales@southernavionics.com



Application:

A Symmetrical "T" Antenna is recommended for use with a 500 - 1000 Watt transmitter if sufficient land is available. It is the optimal land based antenna system.

Signal range is a result of field strength which depends on TX power, electrical length and ground conditions

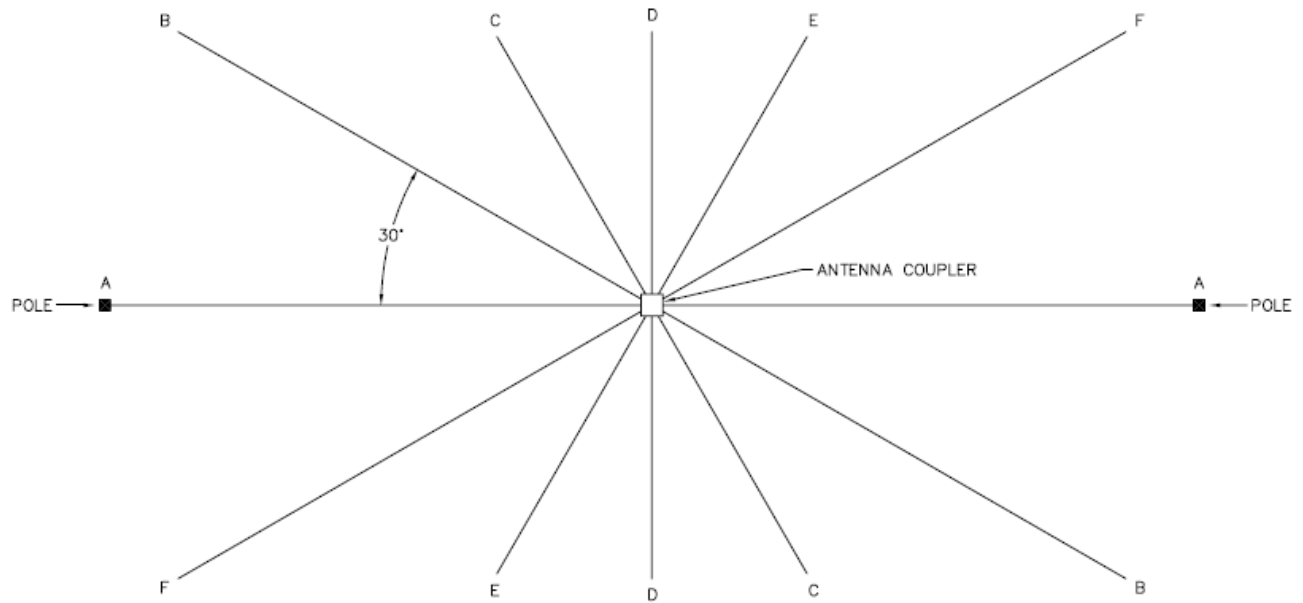
60 ft. (18m) grounded towers are required. They may be purchased from SAC or self-supplied. Towers are placed 300 ft. (91m) apart and have a 55 ft. (17m) vertical radiator and a 2 wire 280 ft. (85m) top hat. 3 guy wires support each tower.

The Antenna is designed for use with the PC-.5 Kilo or PC-1 Kilo Antenna Tuning Units which can have an optional AC power supply installed.

*Information provided is subject to change without notice

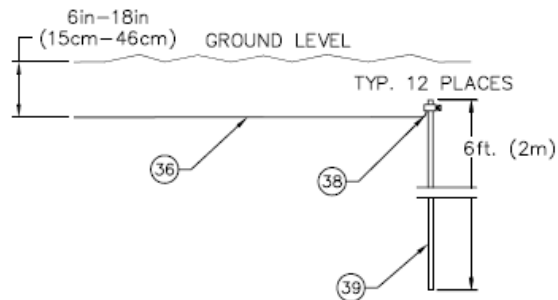
FEATURE	SPECIFICATION
System Resistance	Typically 10 Ohms for good ground
Power Rating	4000 Watts (PEP)
Capacitance	830pF
Frequency of Operation	190-535 kHz
Range (500W Transmitter) over Good Ground	140 nautical miles at 190 kHz to 120 miles at 535 kHz
Range (1000W Transmitter) over Good Ground	160 nautical miles at 190 kHz to 140 nautical miles at 535 kHz
Polarization	Vertical (Omni-directional pattern)
Electrical Length	17m
Wind Rating	130 mph (209km/h)
Height of towers	60 ft. (18m)
Ground Plot Requirements	160 ft. (49m) x 410 ft. (125m)
Weight of installed towers	408 lbs. (185kg)
Optional Equipment	Optional Supports, Installation Kit, Antenna Simulator, Obstruction Lights, Anti-Ice Insulators
Temperature Range	-50° -+ 70°C
Ice Rating	Derate Wind Rating with any ice accumulation
12 Radial Ground System	1500 ft. (457m) of #10 AWG soft-drawn copper wire, 13 2m ground rods, ground clamps, associated hardware

Counterpoise Diagram



LENGTH OF

A-A	=	300 ft.	(91m)
B-B	=	300 ft.	(91m)
C-C	=	170 ft.	(52m)
D-D	=	150 ft.	(46m)
E-E	=	170 ft.	(52m)
F-F	=	300 ft.	(91m)
TOTAL		1390ft.	(424m)



SIDE VIEW