

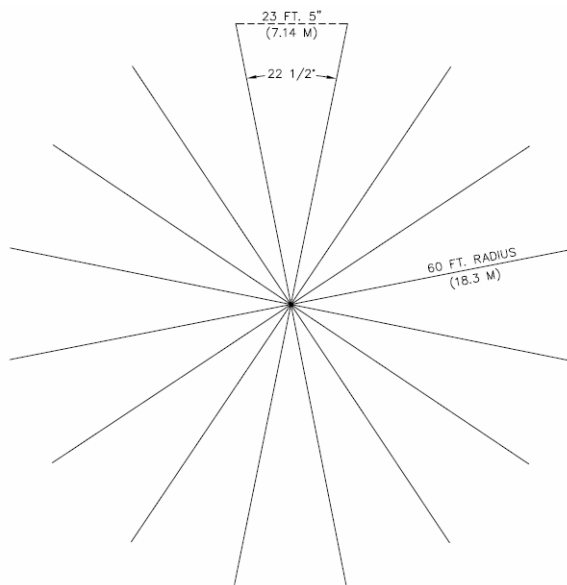
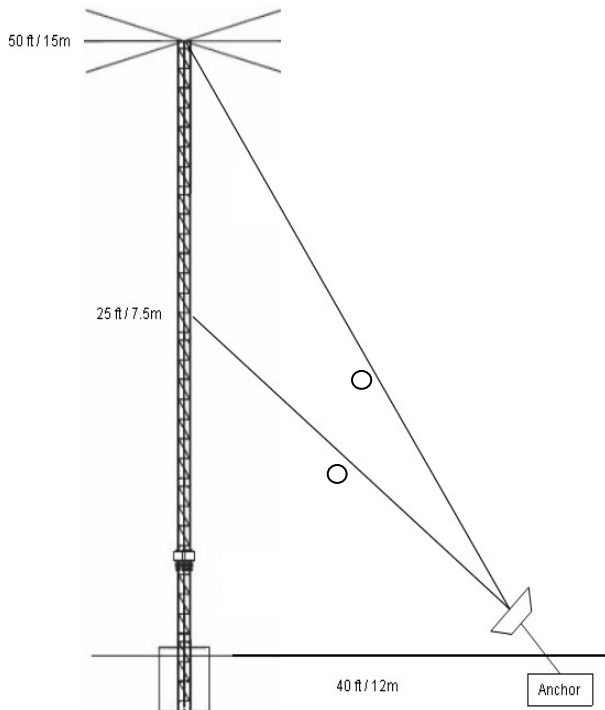


50 ft. Mast Antenna

Part Number: SLF10002

SPECIFICATION SHEET

5055 Belmont, Beaumont, TX 77707
 Phone +409.842.1717/1.800.648.6158 (Toll Free in the US)
 Fax +409.842.2987
 sales@southernavionics.com



Counterpoise view from above

| FEATURE | SPECIFICATION |
|-------------------------|--|
| Resistance | 50 Ohms |
| Max Power Rating | 500 Watts PEP/125 Watts continuous at 100% amplitude modulation |
| Capacitance | 301 pF standard |
| Frequency of Operation | 190-535 kHz |
| Polarization | Vertical |
| Pattern | Omni-directional |
| Electrical Length | 34 ft. (10m) |
| Wind Rating | 130 mph (209km/hr) |
| Height | 50 ft. (15m) |
| Finish | Galvanized steel |
| Installed Weight | 362 lbs. (164kg) |
| Optional Equipment | Installation Kit, Antenna Simulator |
| Temperature Range | -50°C - +70°C |
| Base Pier Rating | 14000 lbf. (62275N) |
| 16 Radial Ground System | 1100 ft. (335m) of #10 AWG soft-drawn copper wire, 17 6 ft. (2m) ground rods, ground clamps, associated hardware |

Mechanical:

The antenna is made of 12 galvanized steel sections configured on 12.5 in (32cm) equilateral triangular design with electrically welded continuous steel "zigzag" cross bracing. The lattice tower sections are designed in accordance with U.S. National Standard ANSI/EIA-222 F.

Three high voltage insulators are used to isolate the radiator from the ground. Rain shields are included to enhance the insulation. Three top-loading guy wires are used to develop and enhance antenna capacitance.

*Information provided is subject to change without notice