



UltimateAir, Inc.

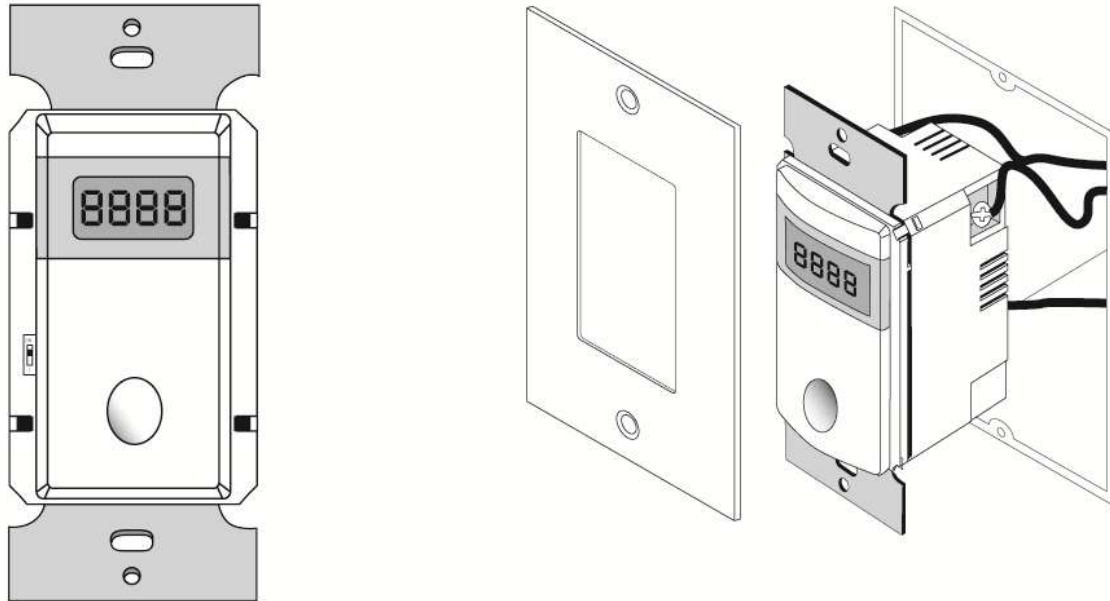
178 Mill Street
Athens, Ohio 45701

Tel: 800.535.3448
Fax: 740-592-1499
www.ultimateair.com

Watt Stopper® Timer TS-400-24

For use with the 200DX UltimateAir RecoupAerator®

Wiring Instructions



The **Watt Stopper® Timer** is used to run the **RecoupAerator®** for a specified amount of time at full air flow, also known as Boost mode.

Countdown Timer: To use the **Watt Stopper® Timer**
Single Button Press for Boost ON/OFF. Press and hold the On/OFF button to select the amount of time to run the **RecoupAerator®** in boost mode.

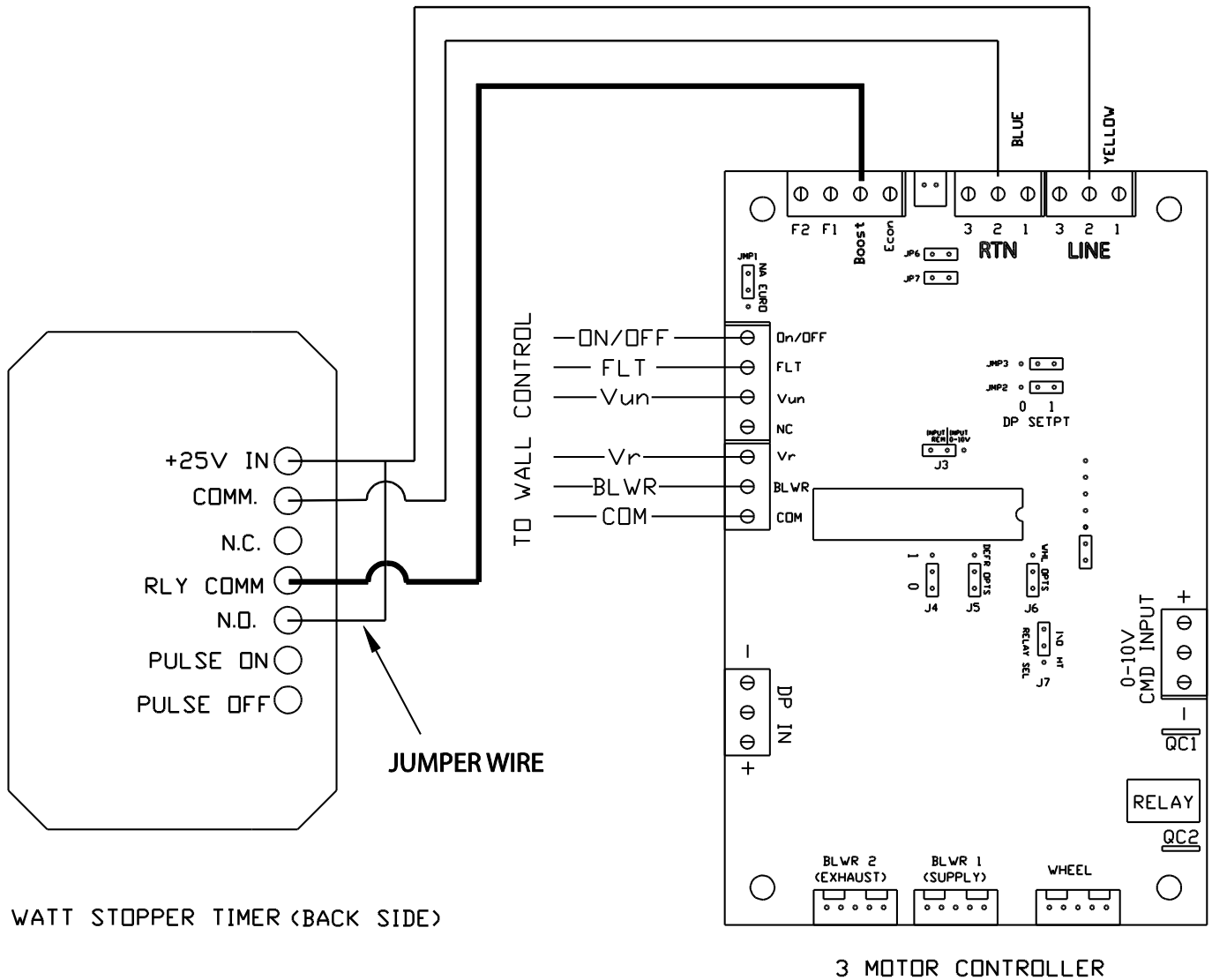
Located under the face plate on the left side of the timer is a calibration button for further customization of timer functions.

For details about the Watt Stopper customizable functions, please refer to the manufactures instruction included with the **Watt Stopper® Timer**.

Wiring

Watt Stopper® Timer for BOOST (Full Flow)

Note* After the timed Full High Speed Air Flow run has completed, the *RecoupAerator*® will return to the Air Flow setting on the wall dial control.



WATT STOPPER TIMER (BACK SIDE)

3 MOTOR CONTROLLER