

Submittal Data Sheet
 UltimateAir Model **2000DX**
 Commercial Energy Recovery Ventilator

Features

- Patented random fiber matrix rotary energy recovery core
 - Stainless steel rotary wheel
 - Washable
 - Electronically commutated DC motor for efficient wheel speed control
- Backward curve electronically commutated DC motorized impellers (2)
- Variable air flow
- External electrical connection and low voltage controls
- Fully insulated housing
- Exterior powder coat/painted steel
- MERV 8-12 filtration

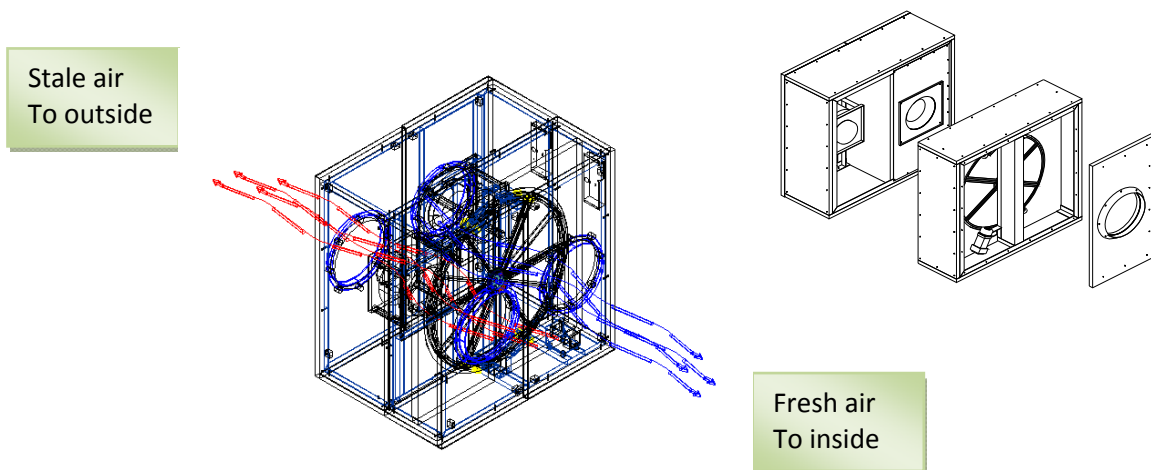

Options and Controls

- Economic cooling control
- CO2 based demand ventilation control
- Duct pressure/occupancy demand control
- Fully programmable flow controls

Job Name:		
Job Location:		
Job Reference Number:		
Unit Reference Number:		
Engineer:		
Distributor:		
Contractor:		
For Reference:	For Approval:	For Construction:
Submitted by:		Date:
Address:		
Tel:	Fax:	Email:
Notes:		

Descriptions

- Case:** 16 gauge baked powder coat sheet steel insulated with 1.5 inch EPS with flame retarder additive.
- Blowers:** Two maintenance free EBM backward inclined motorized ECDC impellers with permanently lubricated sealed ball bearings and thermal overload protection.
- Wheel motor:** Maintenance free ECDC motor with permanently lubricated sealed ball bearings and thermal overload protection.
- Energy Recovery Core:** The energy recovery core is manufactured from a blend of visil and nylon designed to transfer both sensible and latent heat. The core also acts as the MERV 8-12 filter.
- Controls:** Standard control is on/off function with capability of setting continuous flow within the operating flow range of 200-2000 CFM. Boost input, external control input, pressure input are available.
- Serviceability:** The unit is designed in two main housings (wheel housing and fan housing). The unit can be split in two for transport, service, and installation. Each of the two housings have two doors for ease of service. The wheel is accessible for cleaning without removal-or easily removed for more detailed cleaning.
- Mounting:** Unit comes with a vibration mounting stand. Any other orientation is acceptable with the proper designed mount and access.
- Warranty:** The unit is warranted to be free from defect in material, workmanship and all parts for a period of 2 years from purchase date. The energy recovery core is warranted for five years with proper yearly cleaning schedule.



Specifications

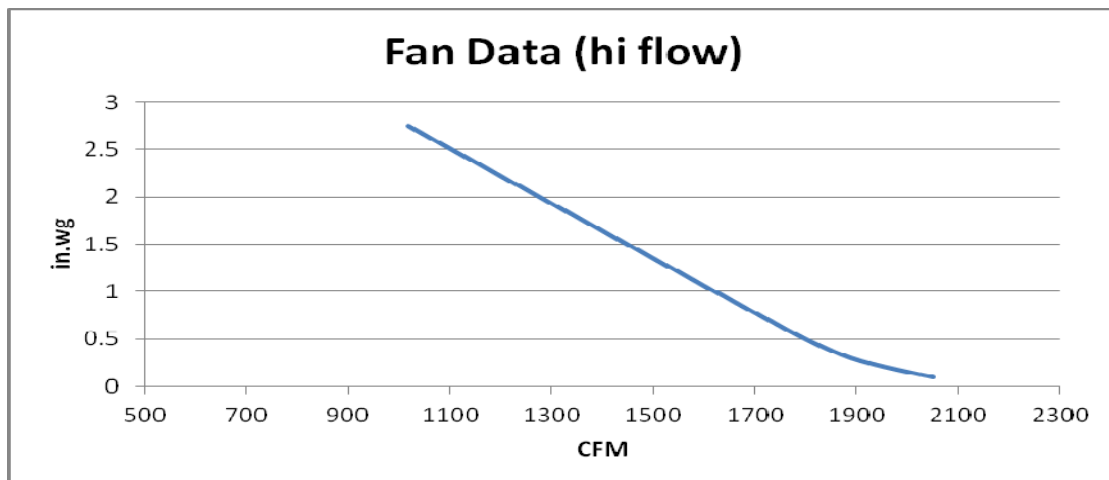
ULTIMATEAIR MODEL: 2000 DX		
	<i>US Units</i>	<i>Metric Units</i>
FLOW	200 – 2000 CFM	340 – 3740 CMH
ASE	92% - 95%	
TRE	44% - 53%	
CORE	Patented rotary random matrix polymer	
FILTRATION	MERV 8 - 12	EU 6 - 7
ELECTRICAL	208-240VAC, 25 Amp, 50/60 Hz, Single phase	
DIMENSIONS	64 H x 64 W x 42 D (inch); 700 lbs.	1.63 H x 1.63 H x 1.07 D (meter)
DUCT	4 Round Collars @ 18 Dia (inch)	4 Round Collars @ 458 Dia (mm)
MAINTENANCE	Yearly filter service – light maintenance	

Performance Data

STATION	1 outside supply	2 inside supply	3 inside exhaust	4 outside exhaust
Temperature [C]	34.7	26.0	24.0	32.6
Relative Humidity [%]	50.3	62.5	49.5	43.9
SRE: 70% TRE: 53% LPC: 0.43 ASE: 85%				
Temperature [C]	0.0	20.3	22.0	4.8
Relative Humidity [%]	75.3	37.8	39.4	76.5
SRE: 83% TRE: 79% LPC: 0.69 ASE: 96%				

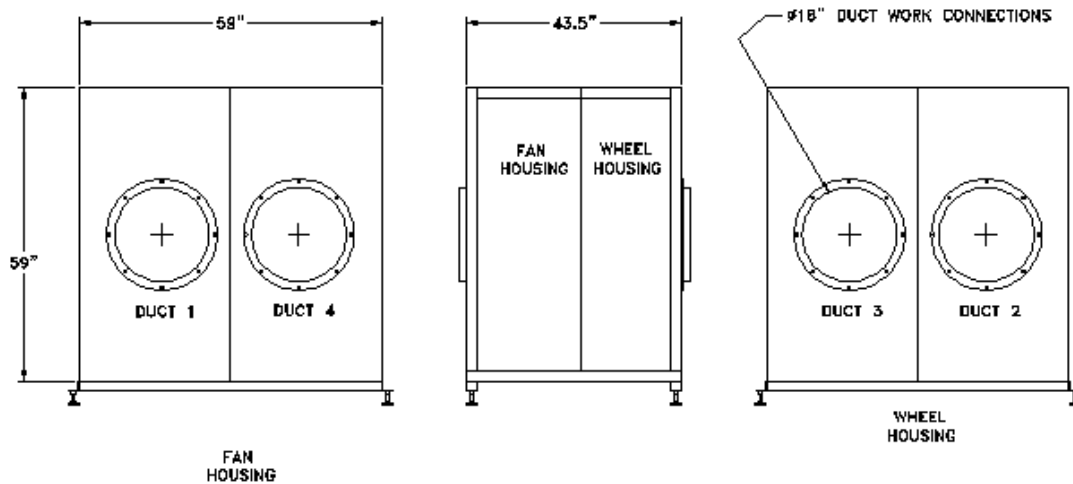
*SRE: Sensible recovery effectiveness
 TRE: Total recovery effectiveness
 LPC: Latent performance coefficient
 ASE: Apparent sensible effectiveness*

Fan Data



Flow Range Example

	PWM	Power	Flow	Watt/CFM
	<i>command</i>	<i>watt</i>	<i>cfm</i>	
Low	18%	129.5	240	0.54
Med	42%	462	720	0.64
Med - Hi	65%	1295	1210	1.07
High	100%	2730	1795	1.52

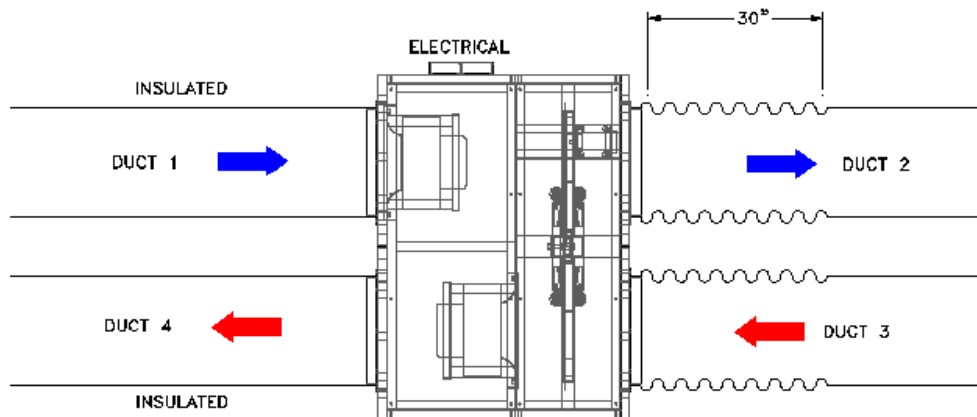


revised 112012

DUCT LAYOUT:

DUCTING TO THE UNIT AT CONNECTIONS 2 AND 3 ON THE WHEEL HOUSING MUST HAVE AN EASILY REMOVABLE SECTION AT LEAST 30" LONG FOR MAINTENANCE ACCESS TO THE UNIT

- DUCT 1 FRESH AIR FROM EXTERIOR
- DUCT 2 FRESH AIR TO CONDITIONED SPACE
- DUCT 3 EXHAUST AIR FROM CONDITIONED SPACE
- DUCT 4 EXHAUST AIR TO EXTERIOR



TOP VIEW

Revised 112012