

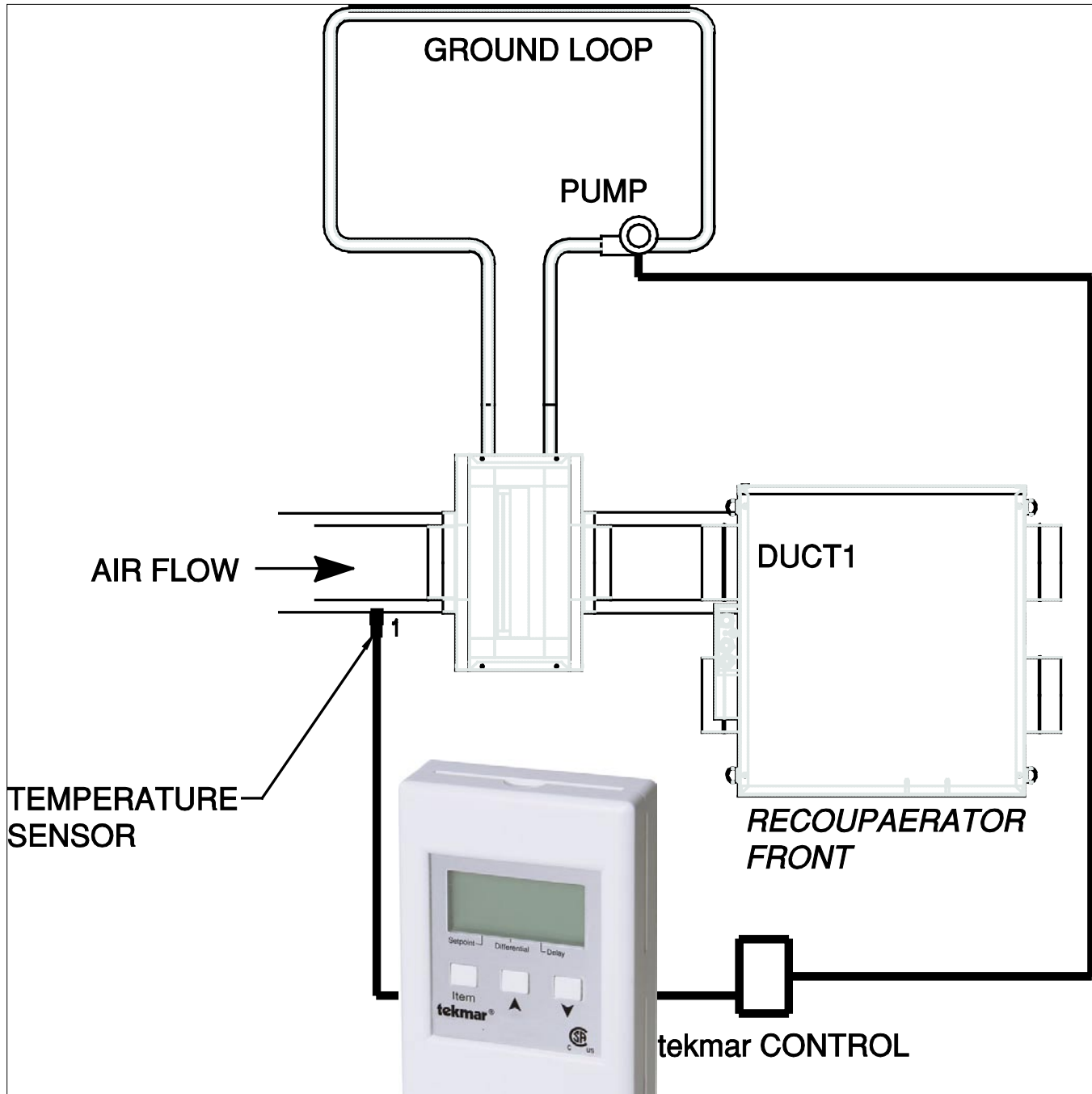


UltimateAir, Inc.
178 Mill Street
Athens, Ohio 45701

www.UltimateAir.com
Tel: 740.594.2277
Fax: 740.592.1499

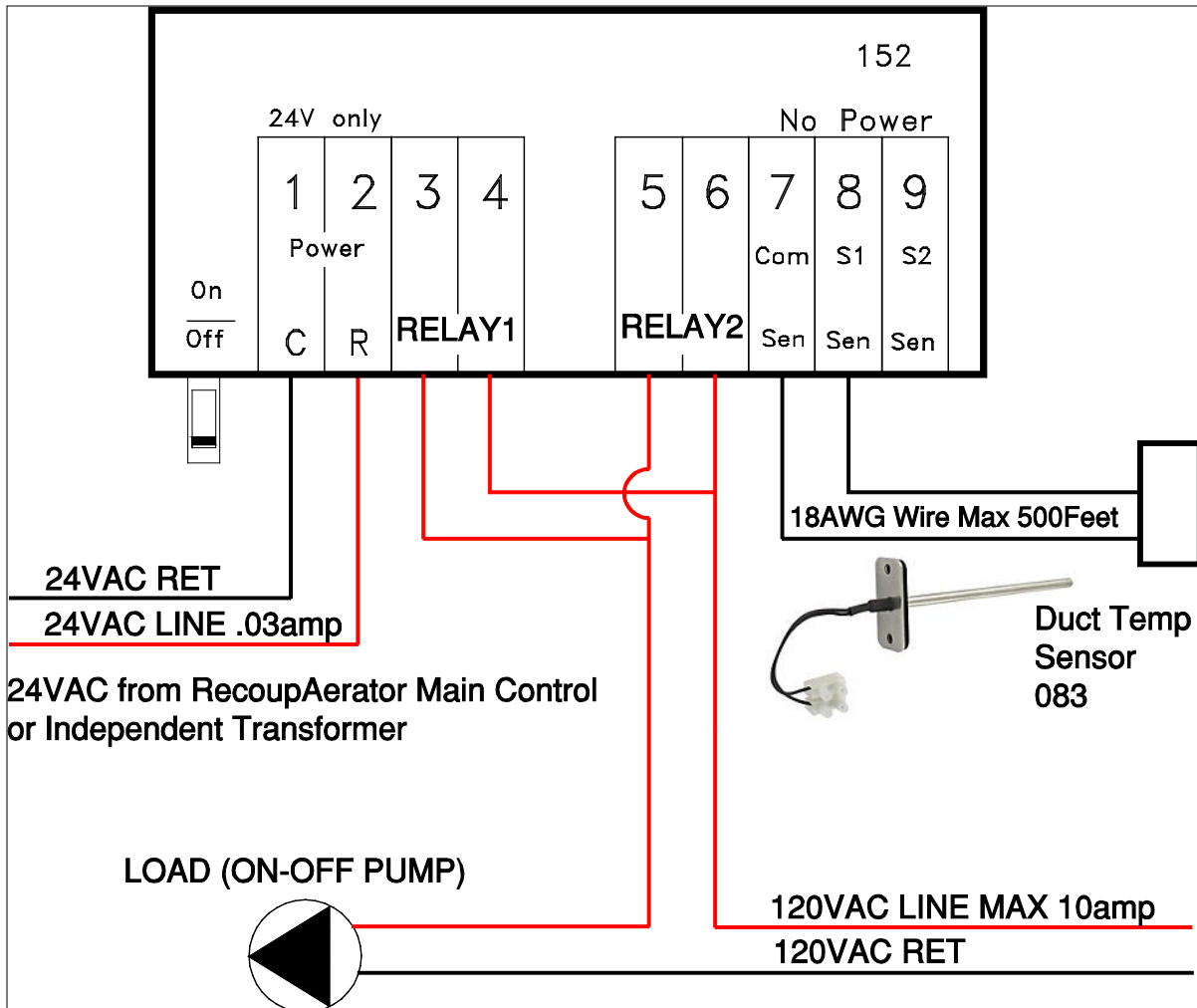
tekmar Water Pump Control

For the Recoupaerator[®] ground loop system
defrost below 12°F and pre-cooling above 74°F



Wiring

Above Set Point 1 (74°F) RELAY 1 will switch the LOAD on
Below Set Point 2 (12°F) RELAY 2 will switch the LOAD on





Setup Control Parameters:

1. Select single sensor mode using the 2 sensor On/Off switch located on the Tekmar Control
2. Power on the control and wait for 5 seconds
3. Set Point 1
 - Push all three buttons at the same time. “**PRGM1**” will appear and the **Setpoint (1)** pointer will flash.
 - Use arrow buttons to set the value to **74F**
 - The “**Item**” button changes the flashing pointer to **Differential (1)**. Use arrow buttons to set the value to **2F**
 - Push the “**Item**” button to change the flashing pointer to **Delay(1)**. Use arrow buttons to set the value to **0:00**
 - Push the “**Item**” button for **Heating** or **Cooling (1)**.
 - Use arrow buttons to set the value to **Cool**
4. Set Point 2
 - Push the “**Item**” button. “**PRGM2**” will appear and the **Setpoint (2)** pointer will flash.
 - Use arrow buttons to set the value to **12F**
 - The “**Item**” button change the flashing pointer to **Differential (2)**. Use arrow buttons to set the value to **2F**
 - Push the “**Item**” button to change the flashing pointer to **Delay (2)**. Use arrow buttons to set the value to **0:00**
 - Push the “**Item**” button for **Heating** or **Cooling (2)**.
 - Use arrow buttons to set the value to **Heat**
 - The “**Item**” button selects Fahrenheit or Celsius
 - Wait 10 seconds for to exit programming mode