

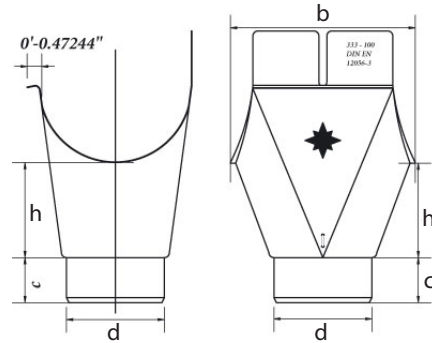
PREMIER STEEL GUTTER SYSTEM™

Superior Gutters Made Simple



Tel: (814) 455-7430 | Fax (814) 464-8838 | Email: sales@slateandcopper.com | Web: www.premiersteelgutters.com

Funnel Type Gutter Outlet



gutter	outlet	b	c	d	h
5"	3.0"	7.0"	2"	3.0"	30."
6"	4.0"	7.75"	2"	3.92"	3.0"
7.5"	5"	7.75"	2"	4.67"	30."

24 Guage Zinc Magnesium Steel and sprayed with a proprietary scratch and fade resistant paint.

Star Outlet

Color	Part #	5"/3"	6"/4"	7.6"/5"
WHITE	WTZ53	WTZ64	WTZ765	
DARK BRONZE	DBZ53	DBZ64	DBZ765	
BLACK	BKZ53	BKZ64		
DARK CHARCOAL	DCZ53	DCZ64		
NATURAL GRAY METALIC	NGZ53	NGZ64		
UNPAINTED G-90 GALVANIZED	UZ53	UZ64		



Date	Invoice#	Project	Company	Architect