

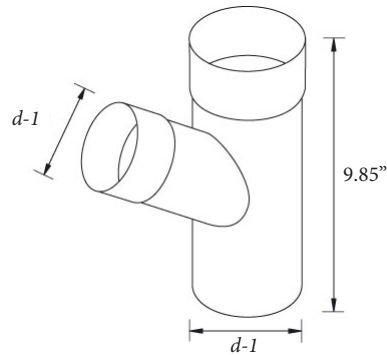
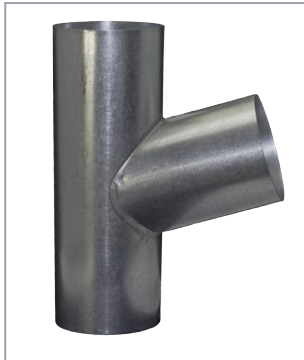
# PREMIER STEEL GUTTER SYSTEM™

Superior Gutters Made Simple



Tel: (814) 455-7430 | Fax (814) 464-8838 | Email: sales@slateandcopper.com | Web: www.premiersteelgutters.com

## Y-Pipe



24 Guage Zinc Magnesium Steel and sprayed with a proprietary scratch and fade resistant paint.

### Downspout Y-Pipe

Color	Part #	3"	4"	5"
WHITE		WTZ3Y	WTZ4Y	WTZ5Y
DARK BRONZE		DBZ3Y	DBZ4Y	DBZ5Y
BLACK		BKZ3Y	BKZ4Y	
DARK CHARCOAL		DCZ3Y	DCZ4Y	
NATURAL GRAY METALIC		NGZ3Y	NGZ4Y	
UNPAINTED G-90 GALVANIZED		UZ3Y	UZ4Y	



Date	Invoice#	Project	Company	Architect