

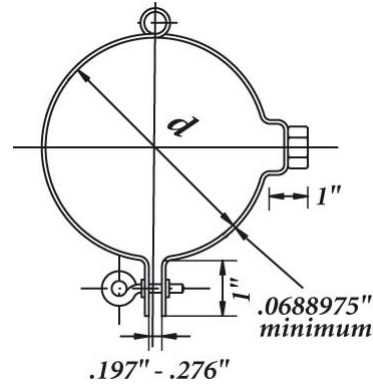
# PREMIER STEEL GUTTER SYSTEM™

Superior Gutters Made Simple



Tel: (814) 455-7430 | Fax (814) 464-8838 | Email: sales@slateandcopper.com | Web: www.premiersteelgutters.com

## Downspout Bracket



bracket has a durable premium weathering powder coat finish and is produced from heavy .0937" G90 galvanized steel. available in 4 popular colors.

### Downspout Bracket

Color	Part #	3"	4"	5"
WHITE		WTZ3DSB	WTZ4DSB	WTZ4DSB
DARK BRONZE		DBZ3DSB	DBZ4DSB	DBZ5DSB
BLACK		BKZ3DSB	BKZ4DSB	
DARK CHARCOAL		DCZ3DSB	DCZ4DSB	
NATURAL GRAY METALIC		NGZ3DSB	NGZ4DSB	
UNPAINTED G-90 GALVANIZED		UZ3DSB	UZ4DSB	



Date	Invoice#	Project	Company	Architect