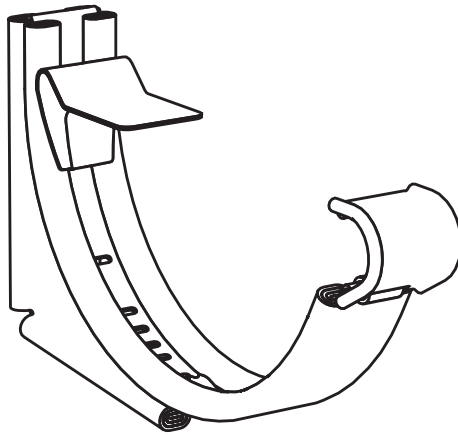


# HFA

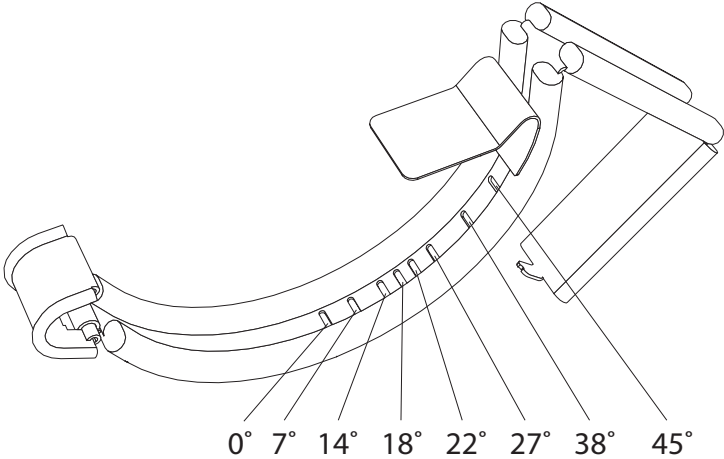
## Adjustable Fascia Hanger



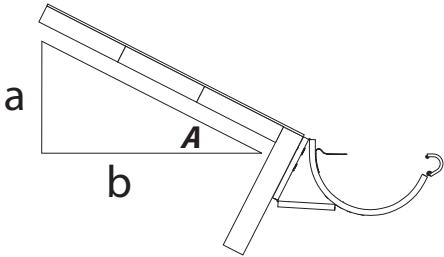
PREMIUM QUALITY PRODUCTS



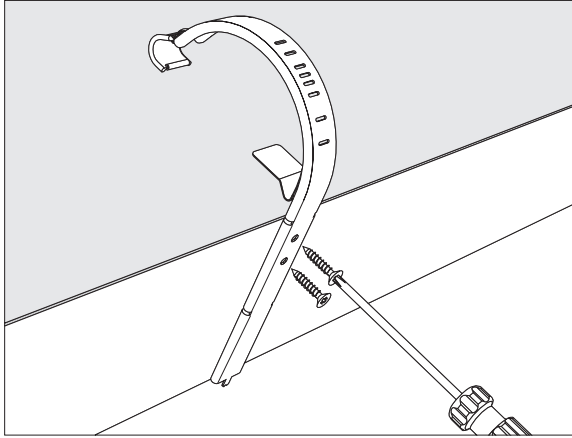
1.



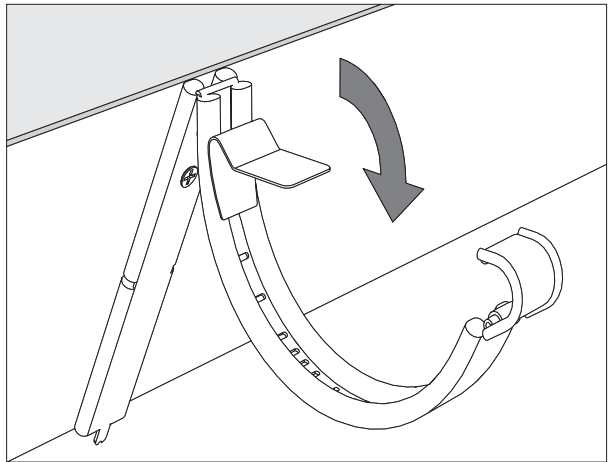
a	b	A
1	1	45°
1	1.25	38°
1	2	27°
1	2.5	22°
1	3	18°
1	4	14°
1	8	7°



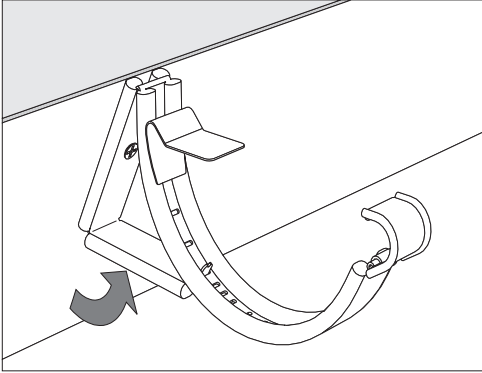
2.



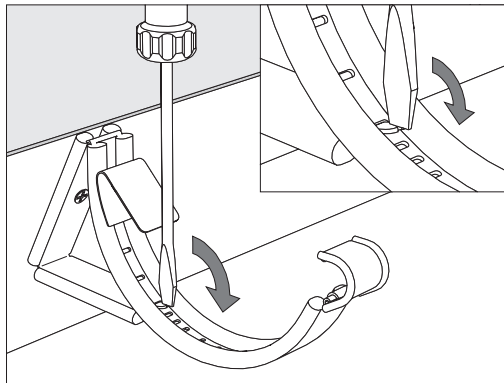
3.



4.



5.



**Premier Steel Gutters**

436 West 12th St. Erie, PA 16501  
phone: (814) 455-7430 | fax: (814) 464-8838  
sales@slateandcopper.com  
www.premiersteelgutters.com



PREMIUM QUALITY PRODUCTS  
div. of slateandcopper.com