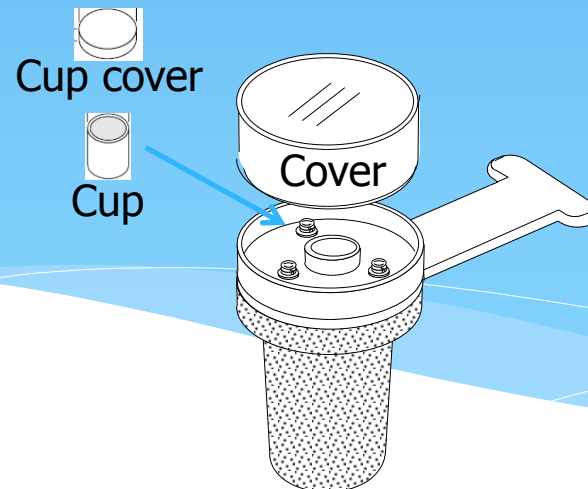


98-433-0117/ Micro Sampling Unit

For coulometric KF moisture titrator

For powder samples

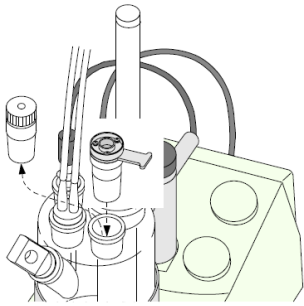


Features

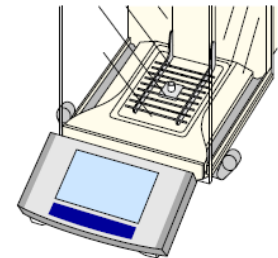
- ✓ **Compatibility:** Coulometric KF moisture titrator
- ✓ **Applicable sample:** Powder sample (c.f. Medicine)
 - ✘ Sample has to be soluble in KF reagent and not to have interference reaction against KF reaction.
- ✓ **Advantage:**
 - ✓ Shorten time for (hygroscopic) sample to be exposed to moisture in atmosphere by sealing it.
 - ✘ As sample is not sealed during being put in a cup and weighting, carrying out the whole process in the atmosphere of as low conc. of moisture as possible (c.f. Chamber) is recommended.
 - ✓ Require smaller initial investment compared to evaporator.

How to use

1. Set micro sampling unit to titration flask.
(Remove syringe inlet port stopper.)



2. Weight a cup & record the weight as Wt2.

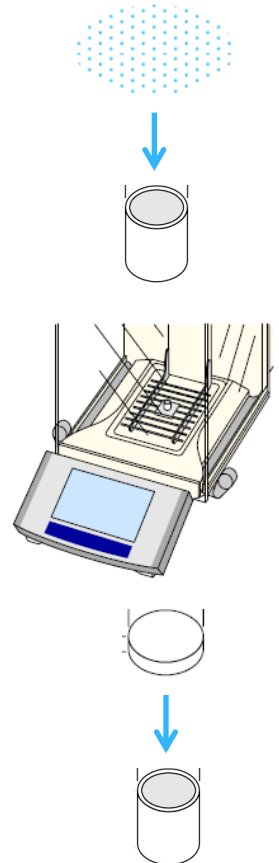


How to use

3. Put a sample in the cup.

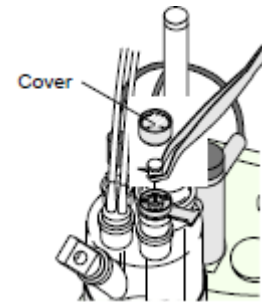
4. Weight the cup & record the weight as Wt1.

5. Cover the cup with a cup cover.



How to use

6. Set the cup to micro sampling unit.

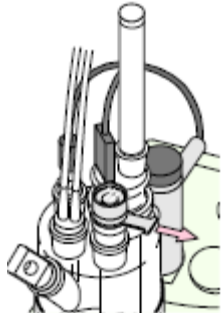


7. Place a cover on top of micro sampling unit.



How to use

8. Enter the weights with KF moisture titrator and wait till it gets ready for measurement.
9. Drop the cup into titration flask by pulling the lever.
(The cup cover is left in micro sampling unit.)



10. Start measurement.