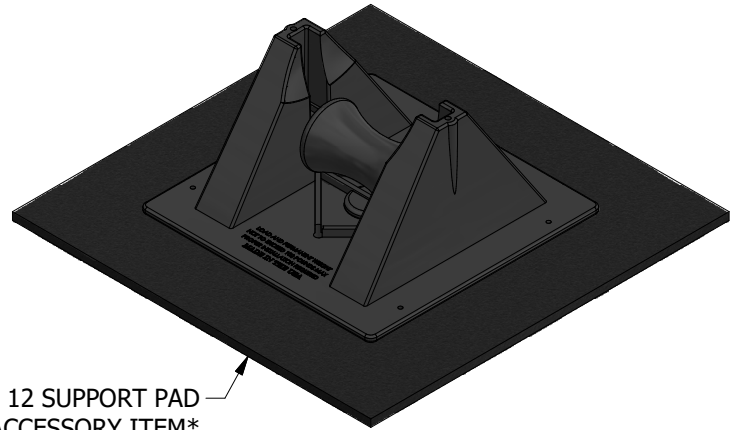
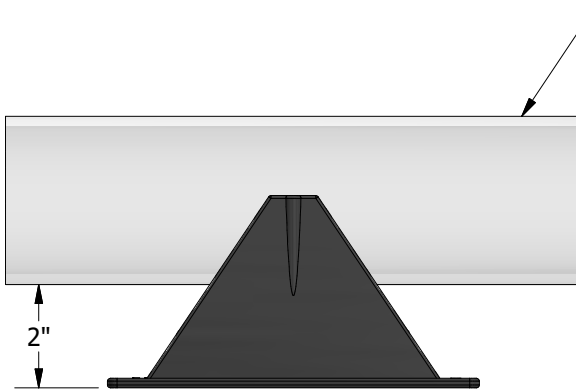


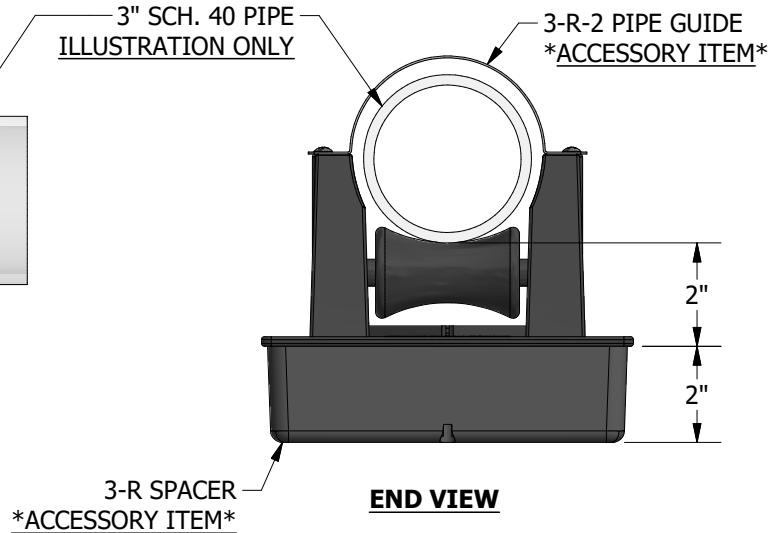
**TOP VIEW**



**ISOMETRIC VIEW**



**SIDE VIEW**



**END VIEW**

**ACCESSORIES**

- 3-R-2 pipe guide
- 3-R spacer
- Support pad
- Eternabond® 2-sided tape

**PRODUCT DESCRIPTION**

A "roller-bearing" pipe support used to support roof-mounted gas pipes, electrical conduit, solar piping and other mechanical piping. Unique design absorbs thermal expansion and contraction of pipes thus preventing damage to the roof membrane. Pipes rest on a polycarbonate resin roller and a rod situated in a polycarbonate resin seat.

**KEY INFORMATION**

- Support is optimized to carry up to a 3" pipe.
- Maximum pipe OD for the support is 3 3/4".
- Pipe clearance is 2"
- Maximum load is 118 lbs. based on 3.0 psi to the roof deck. Even load required.
- 24 per case, 26 lbs. per case, (DW= 21 lbs.)
- Recommended spacing is not to exceed 7' centers depending upon the load. Make certain each pipe support is properly elevated to evenly distribute weight at all pipe support locations.
- Base Material: Polycarbonate
- Axle and Roller Material: Polycarbonate
- 20 Year Warranty