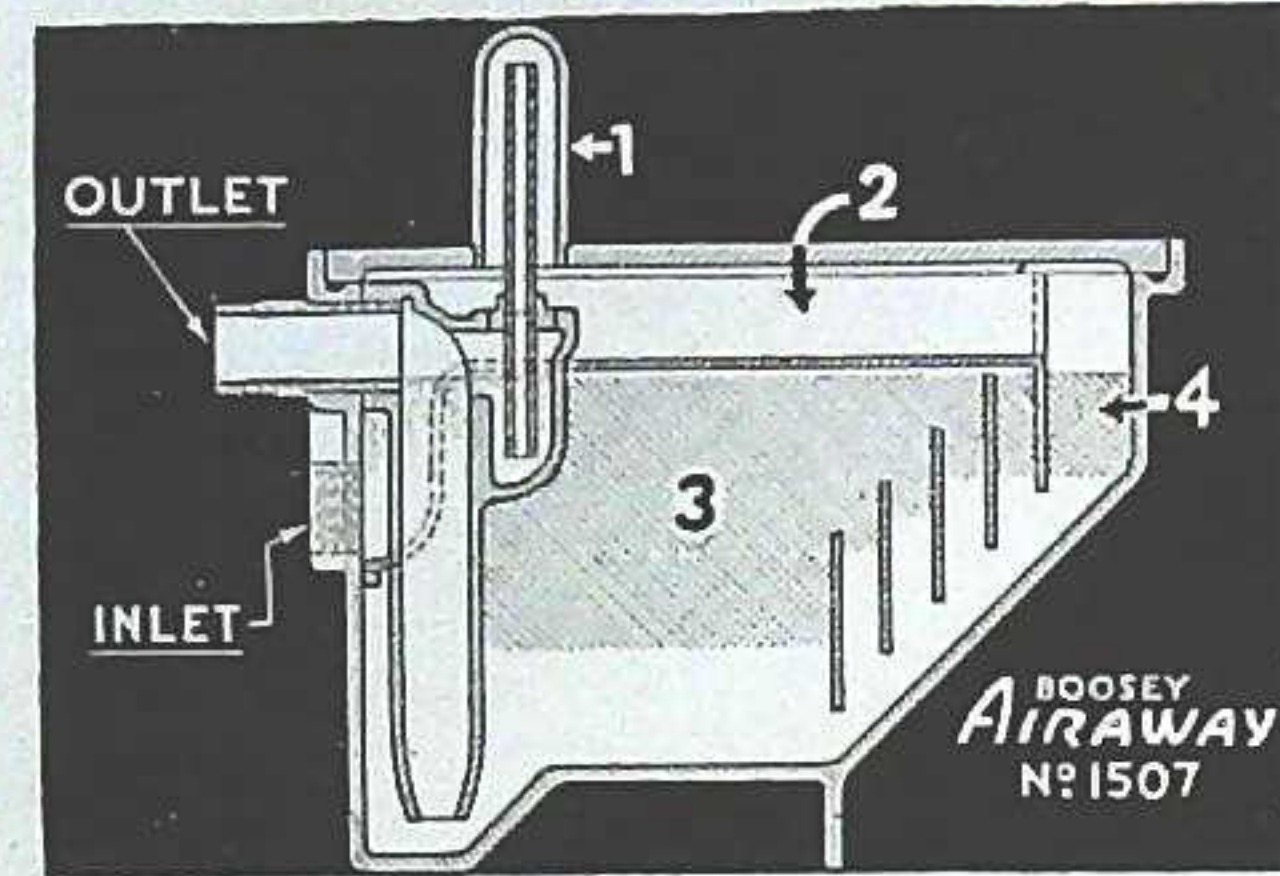
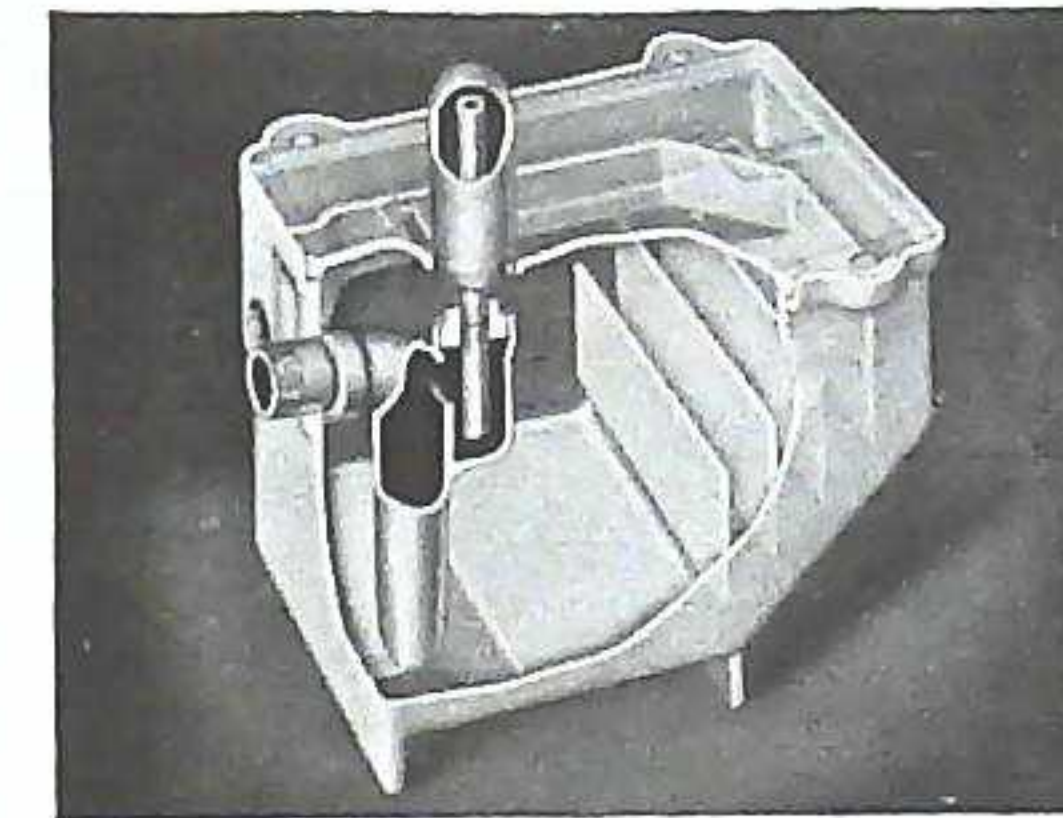


NORMAN BOOSEY MFG. CO.

5140 Hamilton Avenue
DETROIT, MICH.



Air-a-way
GREASE INTERCEPTORS



(1) The internal Air Relief Vent and Siphon Breaker which eliminates internal head pressure and prevents siphonage.

(2) The Inlet Scupper through which all incoming waste is carried *above* the contents of the interceptor. This allows the accumulated grease in the retaining chamber to remain undisturbed.

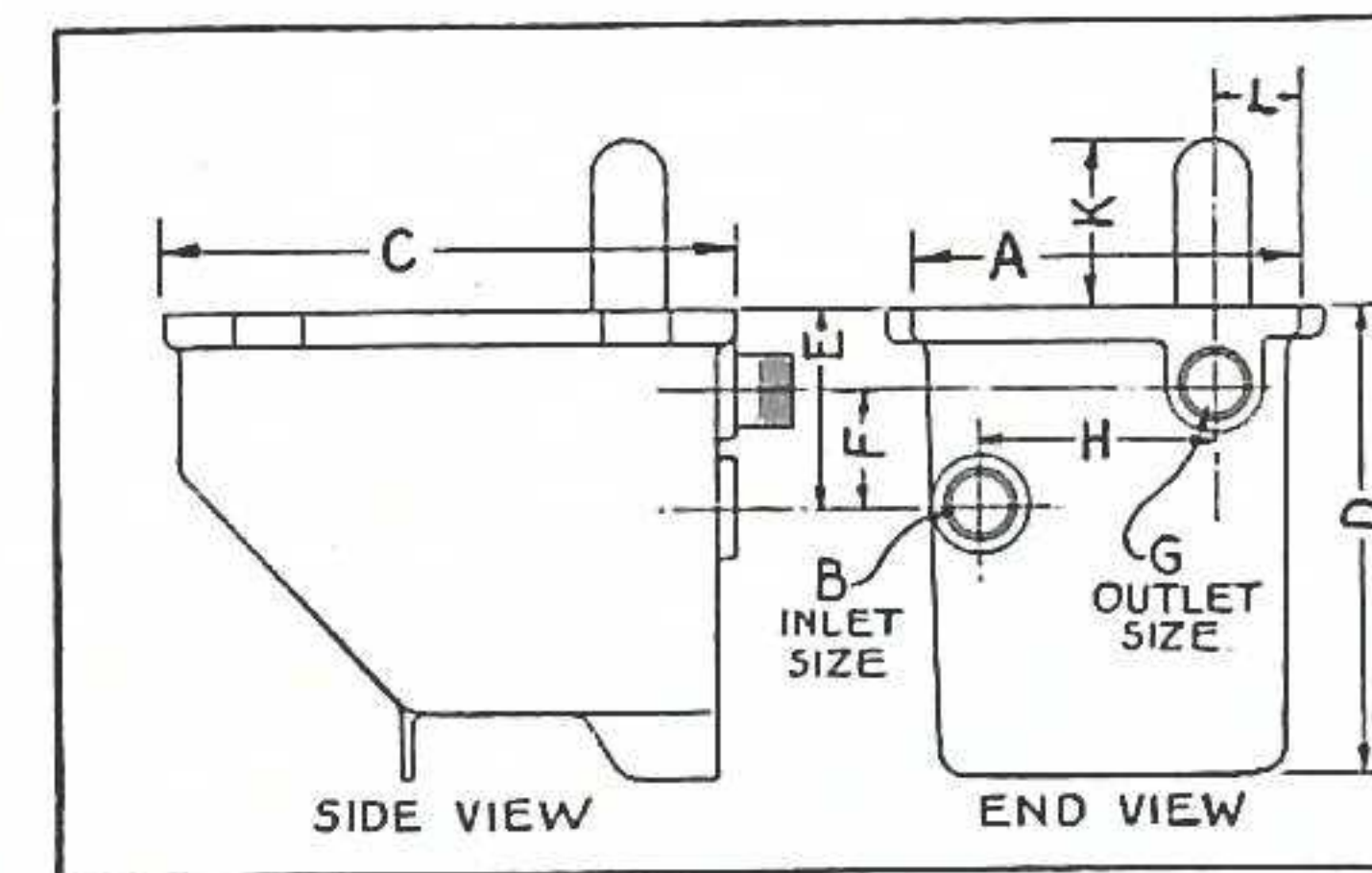
(3) The currentless Grease Retaining chamber into which the grease is guided after being separated from the waste water. The series of baffle plates directs the flow current along the bottom of the interceptor, *beneath* the retaining chamber. As the accumulated grease remains out of the flow current, it cannot become churned up by the incoming waste water and carried out with the flow. *Grease does not build up in the flow-way until the approximate retaining capacity of the interceptor has been reached.*

(4) The Self-clogging Flow-Way is one of the most important features of the Boosey AIR-AWAY Grease Interceptor. As illustrated, when retained grease has reached a depth in the flow-way, as indicated, and allowed to congeal during an inactive period, the interceptor becomes clogged. The congealed grease must be removed before the fixture can be used again. *Additional grease cannot pass through the interceptor to the sewer.* As the depth of grease in the flow-way is less than in any other section of the interceptor it will congeal more quickly and firmly at that point.

The Boosey AIR-AWAY Grease Interceptor is efficient in operation, inexpensive to install and neat in design. Made of cast iron, it is regularly furnished with an enameled finish. If specified, the AIR-AWAY can be furnished with porcelain enameled finish, inside or outside.

Wherever tested at rated capacities, by State or municipal plumbing departments, the AIR-AWAY has been approved as being superior to code requirements. It is made in eight sizes to meet the requirements of various types of installations. Specify it by name and number—Boosey AIR-AWAY, No. 1507.

Note: Outside water cooler can be furnished, when specified.



INTERCEPTORS DIMENSIONS AND LISTS

Plate No.	Waste size, in.	Flow per minute, gal.	Grease, lbs.	Measurements in inches											Approx. shipping weight less cooler, lbs.	List, tapped	List, hub	Add for water cooler	Add for aluminum basket	Add for porcelain enamel outside	
				A	B	C	D	E	F	G	H	J	K	L							
1507-OO	1½	5	7	8½	11½	12	11	5⅞	3⅞	1½	5	1¾	6	1¾	70	\$ 25 00					\$ 18 00
1507-O	1½-2	10	15-20	10½	11½-2	12½	14	6⅞	4	1½-2	5⅞	2⅜	6	3	90	30.00	\$ 31.50				22 00
1507-A	1½-2	12	20-25	11½	11½-2	15	14	6⅞	3⅞	1½-2	6⅞	2½	6	3	120	40 00	41 50	\$ 5.50			30 00
1507-B	1½-2	14	25-30	12	11½-2	17	14	5⅞	3¾	1½-2	6⅞	2⅜	6	3	140	55.00	56.50	6.00			35 00
1507-C	2	16	30-40	14	2	20	14	6⅞	3⅞	2	8	2¾	6	3	160	70 00	71.50	7.50			40 00
1507-D	2	20	50-60	14	2	20	18	6⅞	3⅞	2	8	2¾	6	3	200	105.00	108.20	7.50			50 00
1507-E	2-3	25	80-100	18	2-3	24	18	8¾	5¼	3	5⅞	3½	6	5	280	162 00	165.20	18.00			70 00
1507-G	3-4	35	120-180	18	3-4	24	29	10¼	6¼	3-4	9¼	4¼	6	6½	490	250 00	255 00	22 00			122 50