

# Josam

STANDARD  
OF THE WORLD

PLUMBING DRAINAGE PRODUCTS

**JOSAM MANUFACTURING COMPANY**  
EXECUTIVE OFFICES AND MANUFACTURING DIVISION • MICHIGAN CITY, IND.  
Representatives in All Principal Cities

★  
**floor drains**

★  
**roof drains**

★  
**interceptors  
for  
grease  
oil  
plaster  
hair  
sediment**

★  
**backwater  
and  
sewer valves**

★  
**swimming  
pool fittings**

★  
**shower  
mixing valves**

★  
**shock  
absorbers**

★  
**drainage  
specialties**

27g  
Jo

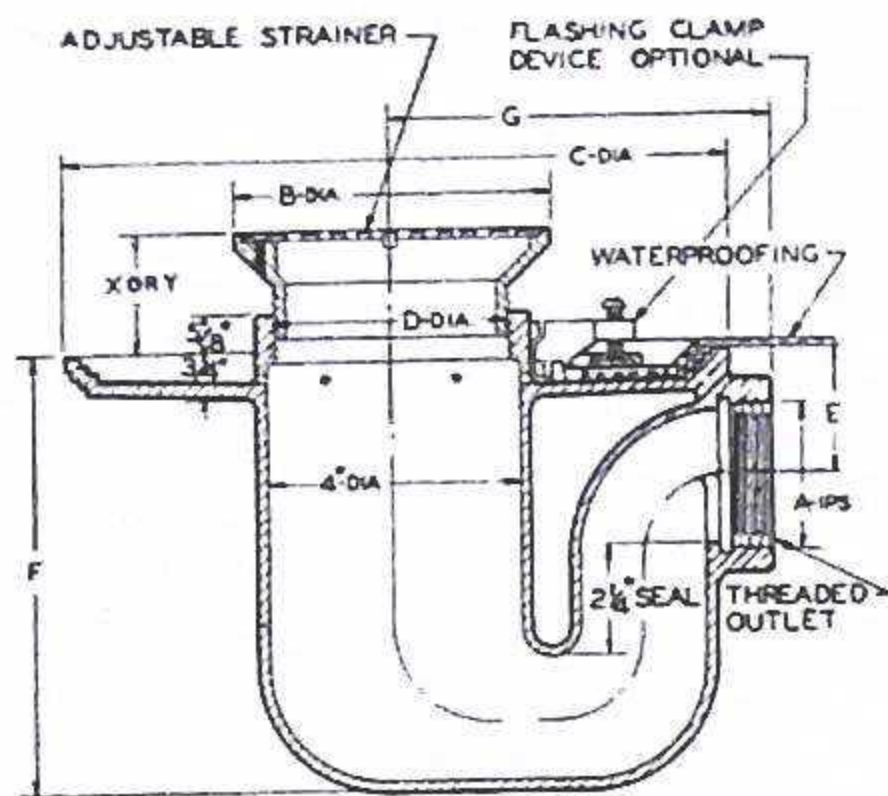
A. I. A. File No. 29c

Hy-Tech Products

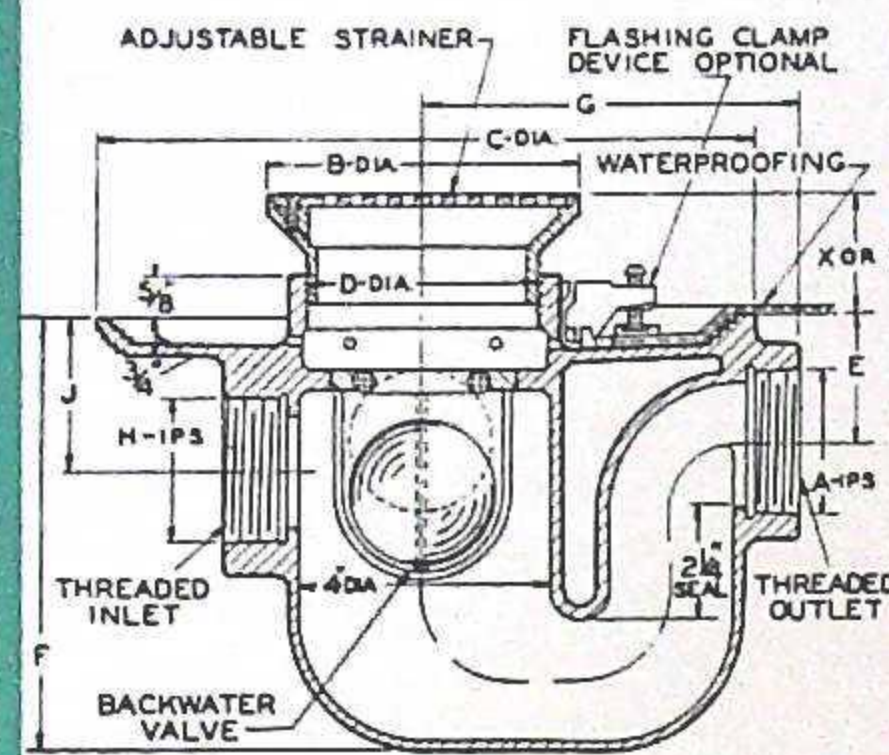


# FLOOR DRAINS WITH ADJUSTABLE STRAINERS

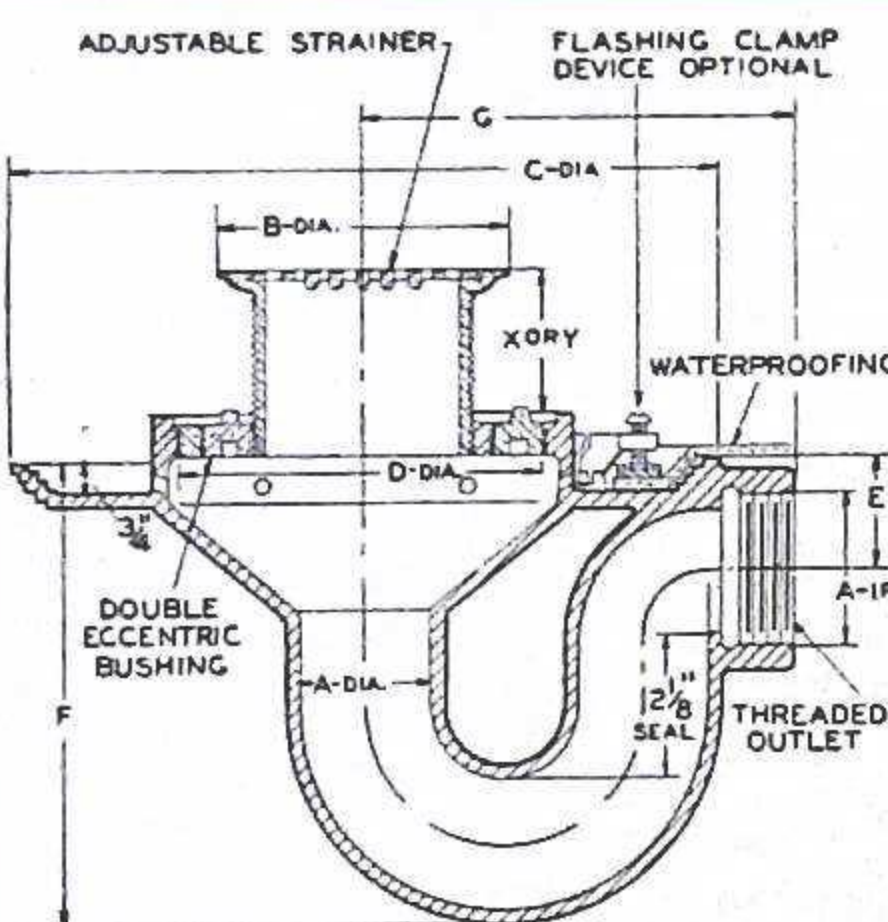
## — Lasting, Leakproof Installations — Double Drainage Floor Drains, Bottom or Side Outlet, with or without Trap, with or without Flashing Clamp



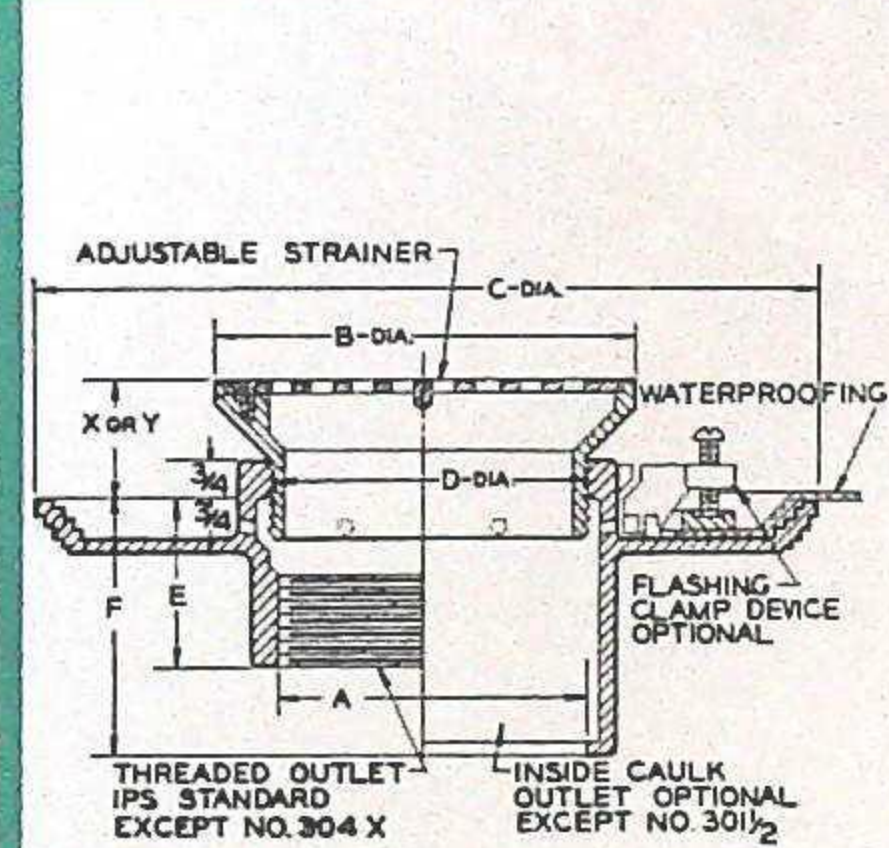
SERIES NO. 200



SERIES NO. 230-V



SERIES NO. 280



SERIES NO. 300

Illustrations above are only a few of the hundreds of types of Josam Floor Drains available for every type of construction. Complete information in Catalog "J".

### JOSAM ADJUSTABLE STRAINERS

The following strainers with 4" to 10" top are interchangeable to fit various Josam Drain bodies threaded to receive an adjustable strainer.



### DIMENSIONS IN INCHES

Series No.	Type No.	A Outlet	B* Strainer	C	D	E	F	G	H	J	Wgt. Lbs.
200	201 1/2	1 1/2	4	10 3/4	3 3/4	2	7 3/8	6	...	...	20
	202	2	5	10 3/4	3 3/4	2	7 3/8	6	...	...	22
	203	3	7	10 3/4	3 3/4	2 1/4	8 3/8	7 3/4	...	...	25
	204	4	8	10 3/4	3 3/4	2 5/8	10	10 3/8	...	...	41
230-V	231 1/2-V	1 1/2	4	10 3/4	3 3/4	2	7 3/8	6	1 1/2	2 1/2	20
	232-V	2	5	10 3/4	3 3/4	2	7 3/8	6	2	2 1/2	19
	233-V	3	7	10 3/4	3 3/4	2 1/2	8 3/8	7 3/4	3	2 1/2	29
280	282	2	4 1/4	10 1/4	5 1/2	2 1/4	7 1/4	6 3/8	...	...	8
	283	3	4 1/2	10 1/4	5 1/2	2 1/4	9 1/4	7	...	...	28
	301 1/2	1 1/2	4	9 1/4	3 3/4	1 7/8	...	...	...	...	9
	302	2	5	9 1/4	3 3/4	1 7/8	2 1/2	...	...	...	11
300	303	3	7	9 1/4	3 3/4	1 7/8	2 1/2	...	...	...	14
	304	4	8	10 1/4	3 3/4	2	...	...	...	...	18
	304X	4	8	11	5 1/2	...	3 3/4	...	...	...	18

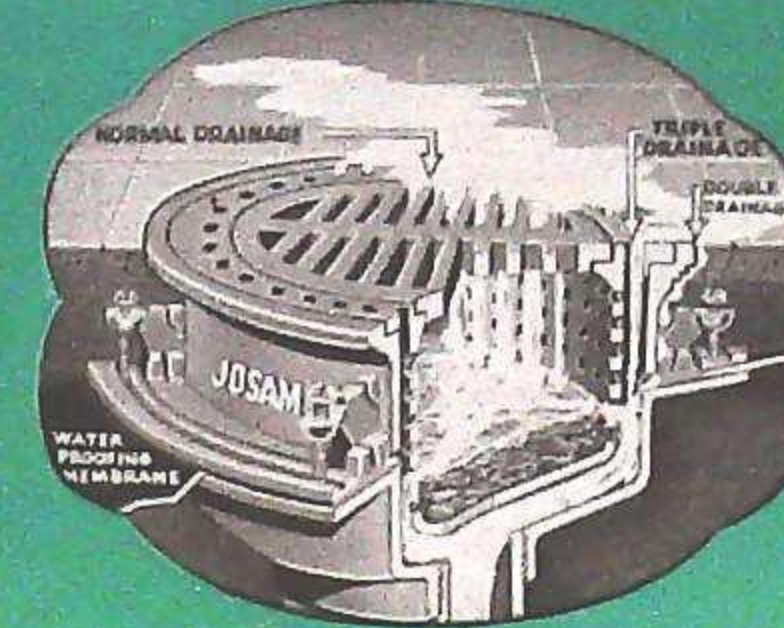
\* Denotes recommended size Strainer for drain outlet indicated. X and Y measurements 1 1/2 to 3 1/4", depending upon size strainer.

FOR COMPLETE INFORMATION ON ROOF DRAINS, SEE JOSAM CATALOG



SERIES NO. 210-V SERIES NO. 220-V SERIES NO. 250 SERIES NO. 260 SERIES NO. 290 SERIES NO. 320 SERIES NO. 380 SERIES NO. 390

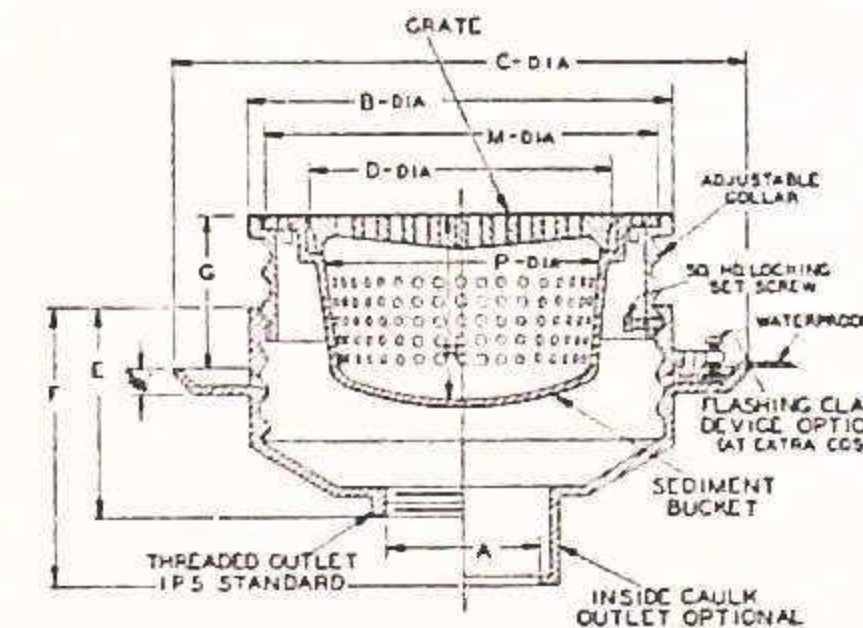
## Guard Against Clogged Waste Lines and Flooded Floors Triple Drainage Drains, Bottom or Side Outlet, With or Without Trap, With or Without Flashing Clamp



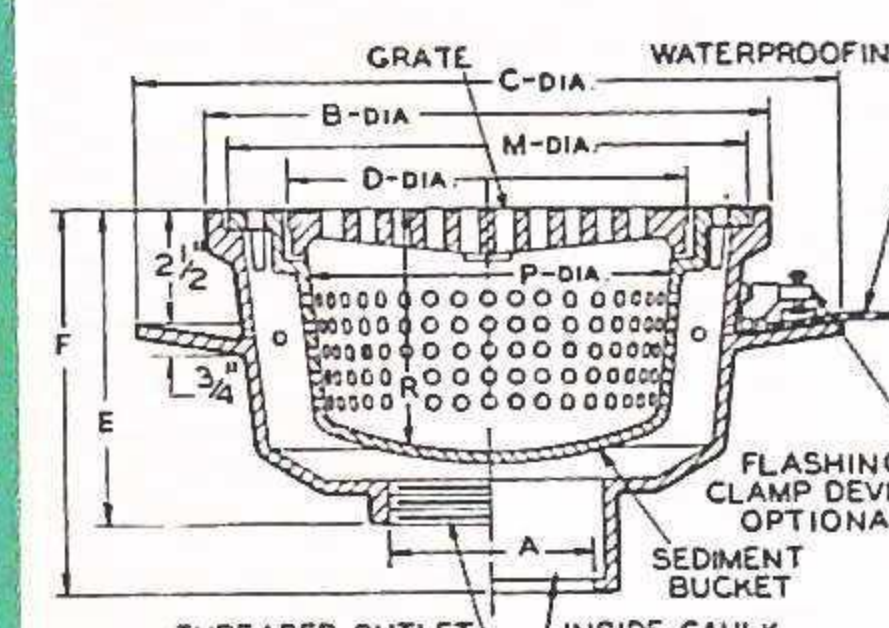
Josam Non-Clog Triple Drainage floor drains combine the well known Josam double drainage feature together with an auxiliary drainage surface which permits flow into the waste lines when bucket is filled.

Another exclusive feature is that the sediment bucket must be returned to the drain body before the grate can be set in place, which is a guarantee that the sediment bucket will not be thrown away or omitted. Josam Non-Clog drains are a guard against the expense and inconvenience of clogged waste lines and flooded floors. A design and size for every service.

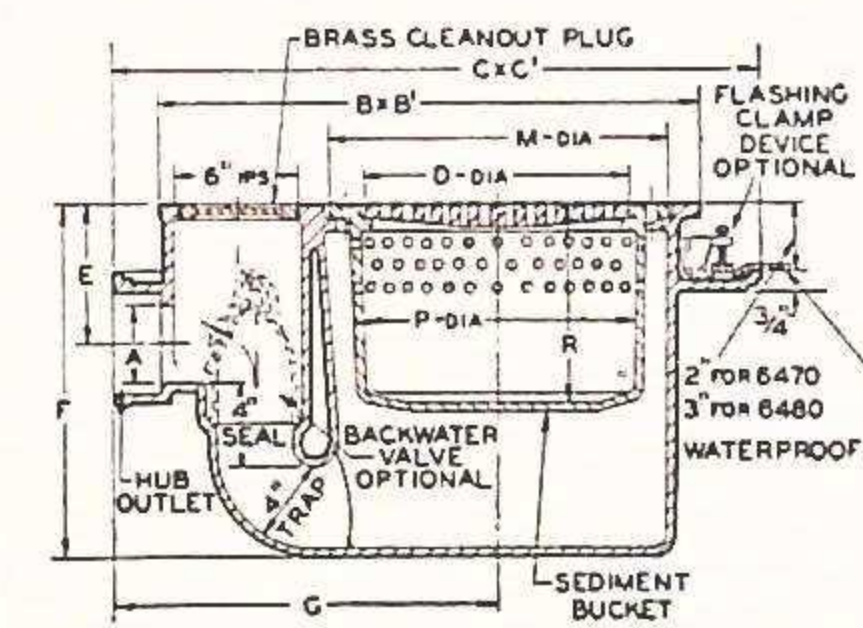
Write for Non-Clog Folder



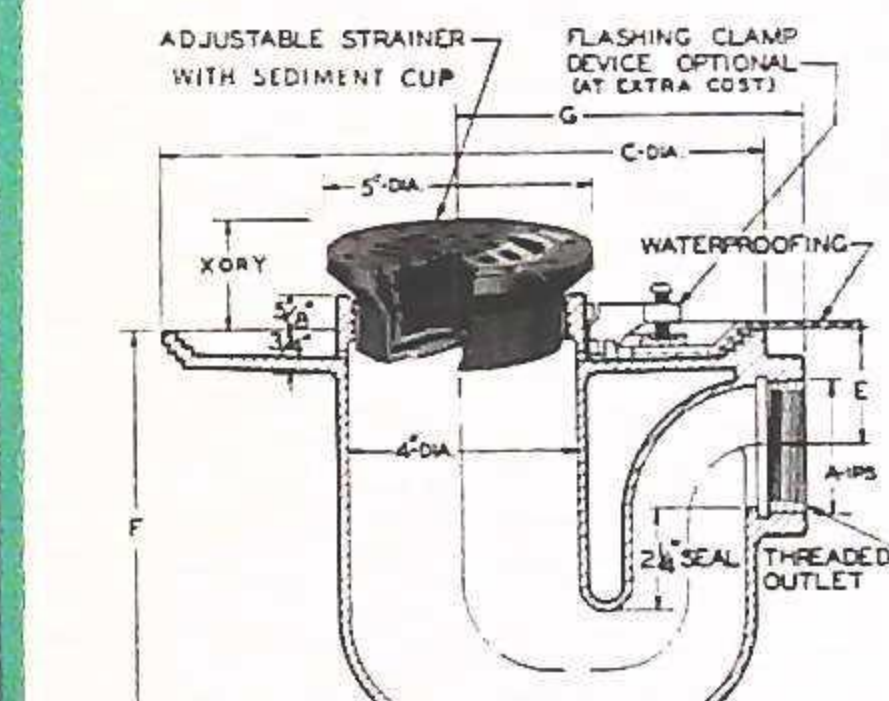
SERIES NO. 3740  
"LEVELEZE" DESIGN



SERIES NO. 5440, 5450



SERIES NO. 6470, 6480



SERIES NO. 200-35C

### DIMENSIONS IN INCHES

Series No.	Type No.	A	B	D	C	E	F	Weight Lbs.	Series No.	Type No.	A Outlet	B Top	C	D	E	F	G	Weight Lbs.
200-35C — For Dimensions of Drain Body, see Series 200 on page two.									5450	5453	3	12 1/2	15 3/4	8 7/8	12	14	...	75
3740	3744	4	12 1/2	8 3/8	17	6 1/4	8 3/8	63		5454	4	12 1/2	15 3/4	8 7/8	12	14	...	81
	3745	5	12 1/2	8 3/8	17	6 1/4	8 3/8	63		5455	5	12 1/2	15 3/4	8 7/8	12	14	...	75
	3746	6	12 1/2	8 3/8	17	6 1/4	8 3/8	63		5456	6	12 1/2	15 3/4	8 7/8	12	14	...	81
5440	5443	3	12 1/2	15 3/4	8 7/8	6 7/8	9 1/4	55	6470	6472	2	24 x 16	28 x 20	10 3/4	10 3/4	22	18 1/2	270
	5444	4	12 1/2	15 3/4	8 7/8	7 1/4	9 1/4	55		6473	3	24 x 16	28 x 20	10 3/4	10 3/4	22	18 1/2	270
	5445	5	12 1/2	15 3/4	8 7/8	7 1/4	9 1/4	55		6474	4	24 x 16	28 x 20	10 3/4	10 3/4	22	18 1/2	270
	5446	6	12 1/2	15 3/4	8 7/8	7 1/4	9 1/4	55		6480	6482	2	28 x 21	34 x 27	14	6 7/8	18	20 1/2
								6483	3		28 x 21	34 x 27	14	6 7/8	18	20 1/2	364	
								6484	4		28 x 21	34 x 27	14	6 7/8	18	20 1/2	364	

See Catalog J for dimensions not shown.

FOR COMPLETE INFORMATION ON FLOOR DRAINS, SEE JOSAM CATALOG



SERIES NO. 5400 SERIES NO. 5430-BB SERIES NO. 5460, 5470 SERIES NO. 5480 SERIES NO. 5500 SERIES NO. 5520 SERIES NO. 5560, 5570 SERIES NO. 6400



# NON-CLOG TRIPLE DRAINAGE FLOOR DRAINS

APPLICATION: Industrial and Manufacturing Plants, Packing Houses, Garages, Laundries, Apartments, Office and Loft Buildings; in Kitchens, Boiler Rooms, Coal Bins, Ash Pits and wherever drainage carries foreign substances which should be prevented from entering and clogging drain lines.

SERIES NO. 3740—Cast iron LEVELEZE Non-Clog triple drainage floor drain, lacquered, with double drainage flange, weepholes, bottom (threaded or inside caulk) outlet, round adjustable top, heavy grate, perforated round sediment bucket with auxiliary drainage rim so designed that grate cannot be set in place unless bucket is in position.

See "Leveleze Drains", page 4.

SERIES NO. 5440, 5450—Cast iron lacquer finish NON-CLOG triple drainage drain with double drainage flange, weepholes, female threaded bottom outlet, round top and grate, medium depth perforated sediment bucket with integral auxiliary drainage rim so designed that grate cannot be set in place unless bucket is in position. Also available with deep and extra deep bodies and sediment buckets.

SERIES NO. 6470, 6480—Cast iron lacquer finish NON-CLOG triple drainage drain with combined integral deep seal trap, double drainage flange, weepholes, round top, brass flush floor cleanout, heavy duty grate and perforated deep sediment bucket with auxiliary drainage rim so designed that grate cannot be set in place unless bucket is in position.

SERIES NO. 200-35C—Cast iron, lacquer finish combined drain and deep trap with double drainage flange, weepholes, female threaded outlet and adjustable NON-CLOG P. B. 5" strainer with perforated sediment bucket.

### OPTIONAL FEATURES

Galvanized, all brass or Everdur; galvanized, polished or chrome plate brass, Everdur or white metal top; backwater valve; inside caulk bottom outlets.

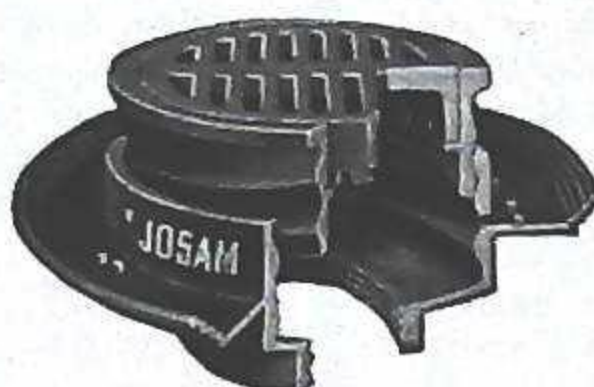


**HEAVY DUTY FLOOR DRAINS**

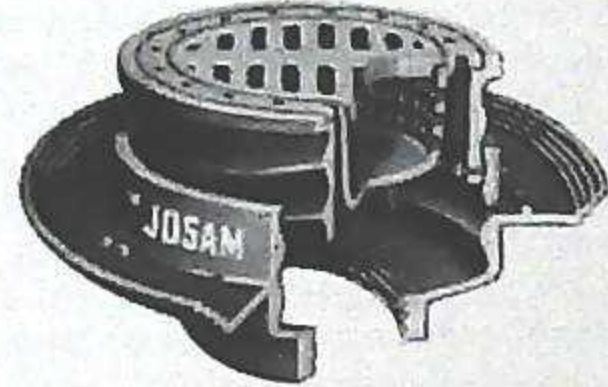
**Industrial Type Floor Drains To End Drainage Problems**

**LEVEZEZ FLOOR DRAINS WITH ADJUSTABLE TOP solve the problems of variations in floor levels**

- Permits lowering or raising top to meet finished floor level, even after drain is installed.
- Eliminates water pools due to high or low spots in floors.
- Expedites repairs to old floors and conversion of floors to new levels.
- Eliminates time and labor expense in cutting drain out of construction, disturbing pipe connections and cutting arch.



**SERIES NO. 3610**  
With Tractor Grate



**SERIES NO. 3740**  
With Non-clog Sediment Bucket. (See page 3).

**APPLICATION**

For installation in Industrial and Manufacturing Plants, Packing Houses, Garages, Hangars, Laundries, Hospitals, Prisons and similar structures requiring floor drains with provisions for retaining debris in sediment bucket, or where floors are subjected to heavy or light traffic.

**LEVEZEZ DRAIN WITH ADJUSTABLE TOP**

With the Josam Leveze Drain, there is no need to make extensive alterations and repairs and incur additional expense because of miscalculations in floor level. Simply raise or lower the adjustable top on the Josam Leveze Drain to proper elevation, and patch finish. The correct level is met and the time and cost of the adjustment is negligible.

In the same easy method, where an old floor is refinished with a new covering or layer of tile, terrazo, linoleum, wood block or other floor finish, the Josam Leveze Drain can be adjusted to a new level by chipping out the old finish, adjusting top to the new level and applying the new finish.

**SERIES NO. 3610**—C. I. lacquer Leveze drain with double drainage flange, weepholes, threaded bottom outlet, round adjustable top and deep set tractor grate.

**SERIES NO. 3740**, see page 3

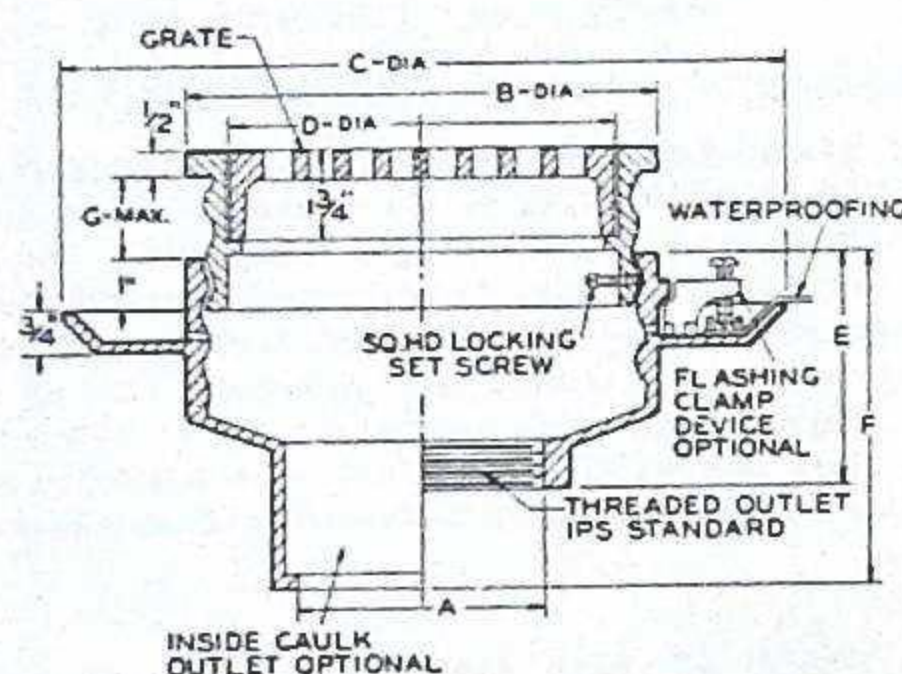
Write for Leveze Folder

**SERIES NO. 510**—C. I. with double drainage flange, weepholes, bottom female threaded outlet, round top and loose set anti-tilting grate.

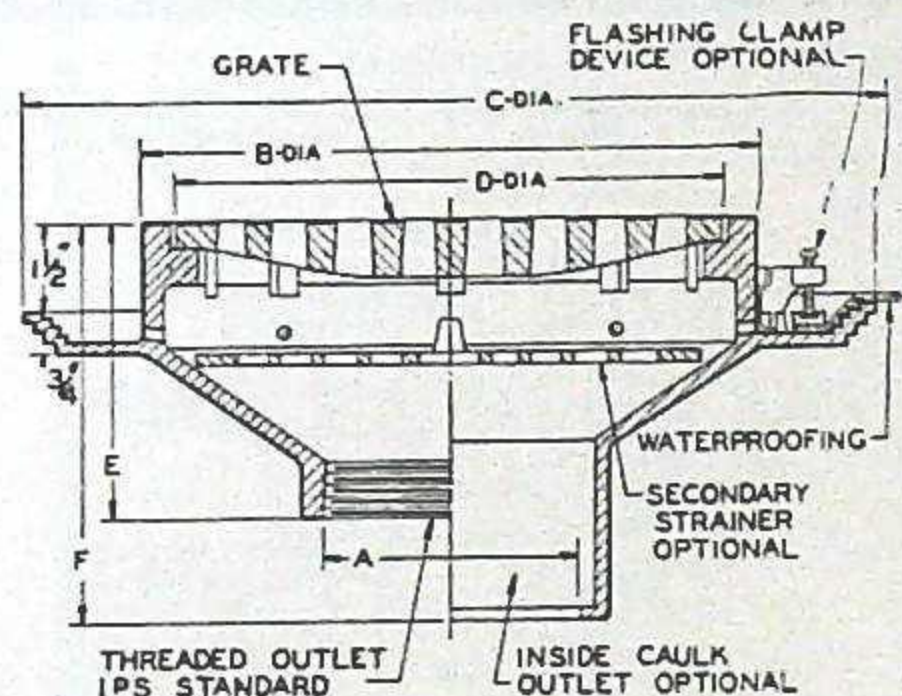
**SERIES NO. 530**—C. I. with double drainage flange, weepholes, female threaded bottom outlet, round top and loose set heavy duty grate.

**SERIES NO. 860-V**—C. I. lacquer, combined drain and integral deep seal trap with double drainage flange, weepholes, spigot side outlet, loose set grate, brass oversize clean-out flush with floor and top hung vertical swing brass backwater valve.

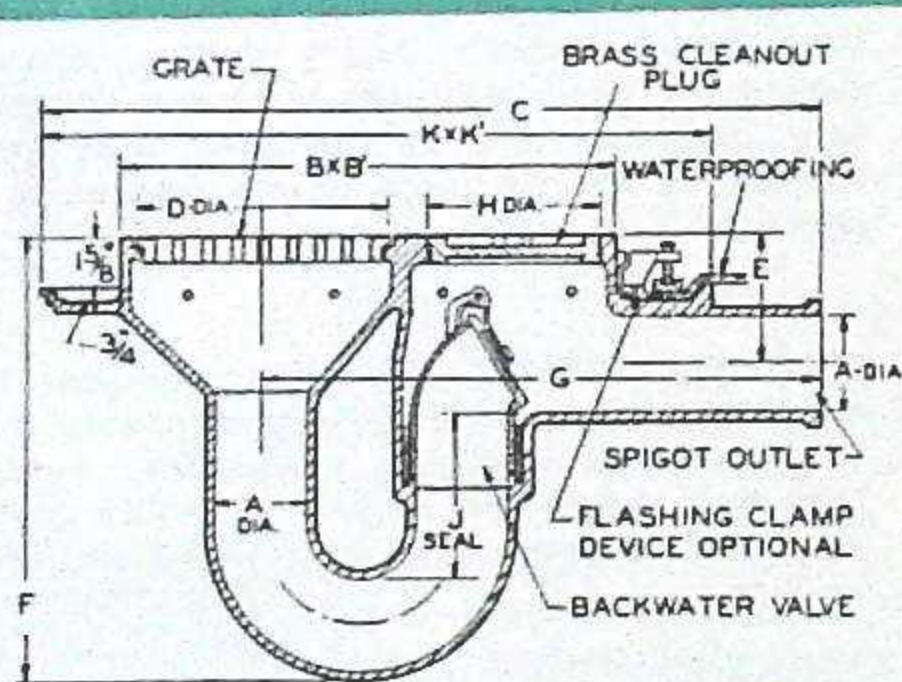
**SERIES NO. 5020, 5030**—C. I. floor drain with double drainage flange, weepholes, female threaded bottom outlet, loose set heavy duty grate and removable sediment bucket.



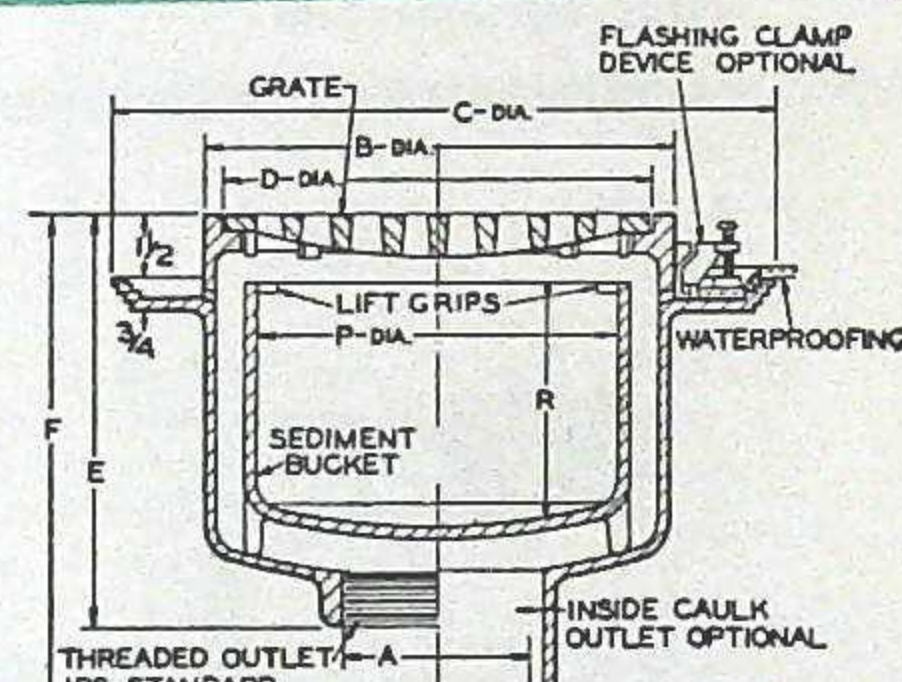
**SERIES NO. 3610**



**SERIES NO. 510, 530**



**SERIES NO. 860-V**



**SERIES NO. 5020, 5030**

Illustrated above are only a few of the hundreds of types of Josam Floor Drains applicable to every type of construction. Various optional features and combinations are available. For complete information refer to Josam Catalog "J".

**DIMENSIONS IN INCHES**

Series No.	Type No.	A Outlet	B Top	C	D	E	F	G	H	J	K	Wgt. Lbs.	Series No.	Type No.	A Outlet	B Top	C	D	E	F	G Min.	G Max.	H	P	R	Wgt. Lbs.		
510	512	2	8 3/4	13 3/8	8	4 3/4	6 1/2					21	3610	3612	2	8 3/4	13 3/8	7 1/4	4 1/2	6 1/4	1 1/2	3 1/2	1 3/4			35		
	513	3	8 3/4	13 3/8	8	4 3/4	6 1/2					21		3613	3	8 3/4	13 3/8	7 1/4	4 1/2	6 1/4	1 1/2	3 1/2	1 3/4			35		
		4	8 3/4	13 3/8	8	4 3/4	6 1/2					22		3614	4	8 3/4	13 3/8	7 1/4	4 1/2	6 1/4	1 1/2	3 1/2	1 3/4			35		
	514	4	8 3/4	13 3/8	8	4 3/4	6 1/2																					
530	532	2	11	15 1/4	10	5	6 1/2					34	3740	See page 3.														
	533	3	11	15 1/4	10	5	6 1/2				36	5020		5022	2	11	15 1/4	10	9 3/4	11 1/2						8 3/4	6 1/2	65
	534	4	11	15 1/4	10	5	6 1/2				39			5023	3	11	15 1/4	10	9 3/4	11 1/2								65
860-V	862-V	2	14 x 9	23	8	4 1/4	11 3/4	16 1/2	4	4	18 3/4 x 13 3/4	52	5030	5034	4	15 1/4	19 1/2	14	13	14 1/2				12	8 3/4	140		
	863-V	3	15 x 9	24 1/4	8	4	13 3/4	17 3/4	5	5	19 3/4 x 13 3/4	65		5035	5	15 1/4	19 1/2	14	13	14 1/2							140	
	864-V	4	16 1/2 x 9	26 1/4	8	4 1/4	15 3/4	19 3/4	6	5	21 1/4 x 13 3/4	98		5036	6	15 1/4	19 1/2	14	13	14 1/2								140

FOR COMPLETE INFORMATION ON FLOOR DRAINS, SEE JOSAM CATALOG



**SERIES NO. 550   SERIES NO. 580   SERIES NO. 610   SERIES NO. 680-V   SERIES NO. 8040   SERIES NO. 8260   SERIES NO. 6040   SERIES NO. 6800**

**Miscellaneous Roof Drains**

**Leak-Proof Drains for Flat Roof Construction  
Pitched Roof, Cornice, Marquise and Parapet Drains**



**27g**  
Jo

**ROOF DRAINS**

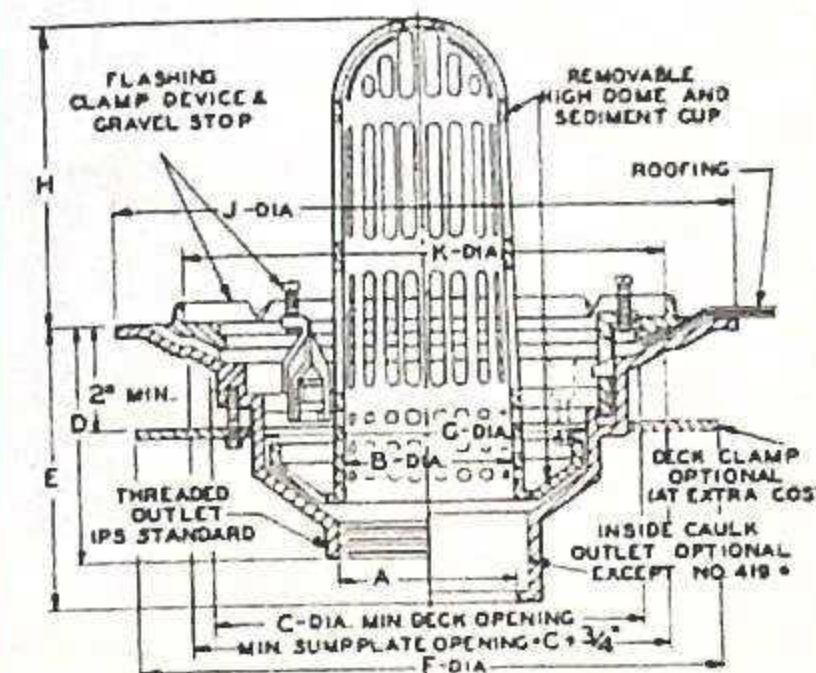
Josam Roof Drains are designed for every type of roof construction and embody such exclusive features as the combined dome strainer and sediment cup; non-puncturing flashing clamp device and gravel stop; deck clamp for securely anchoring drain to roof structure; integral expansion joint; large dome with removable top grate; and adjustable flooding water dam.

**SERIES NO. 410**—C. I. lacquer drain with large sump and flange, female threaded bottom outlet, removable combined high dome and sediment cup, and non-puncturing flashing clamp device with integral gravel stop.

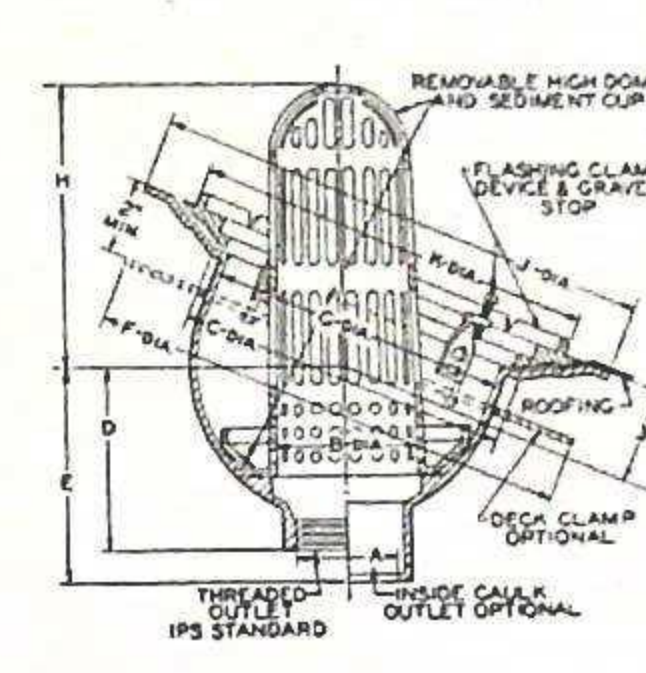
**SERIES NO. 4710**—C. I. lacquer, pitched roof drain with large sump and flange, pitched —" per foot, threaded bottom outlet, removable combined high dome and sediment cup, non-puncturing flashing clamp device with integral gravel stop.

**SERIES NO. 4870-B, 4870-BP**—C. I. lacquer sill drain with threaded side outlet, brass dome and clamping ring secured by screws.

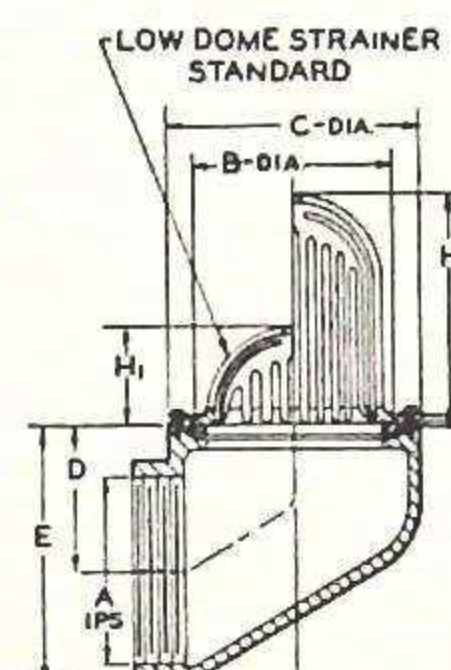
**SERIES NO. 4950-B**—C. I. lacquer scupper drain with flashing flange, female threaded side outlet, removable brass sloping grate and bolted cast iron flashing clamp device.



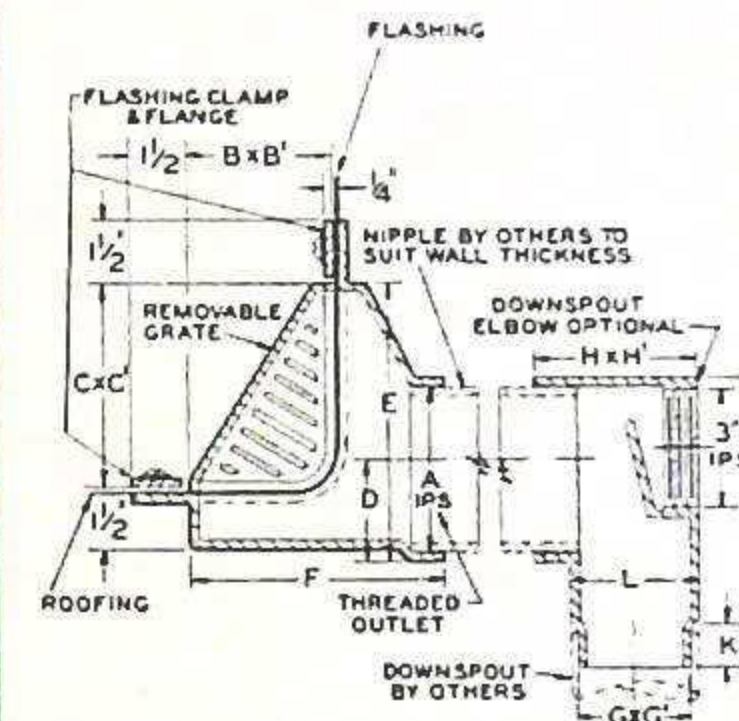
**SERIES NO. 410**



**SERIES NO. 4710**



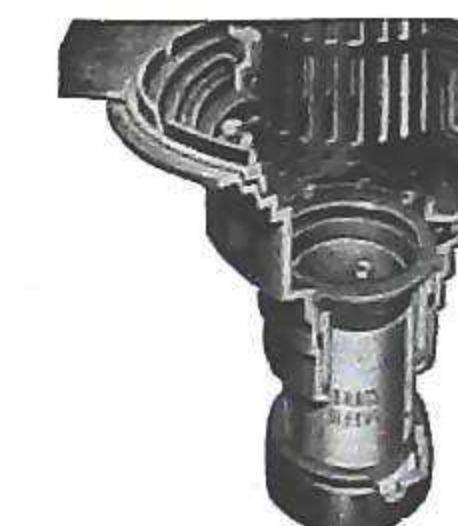
**WITH LOW DOME  
SERIES-4870-B  
WITH HIGH DOME  
SERIES-4870-BP**



**SERIES NO. 4950-B**

**OPTIONAL FEATURES**

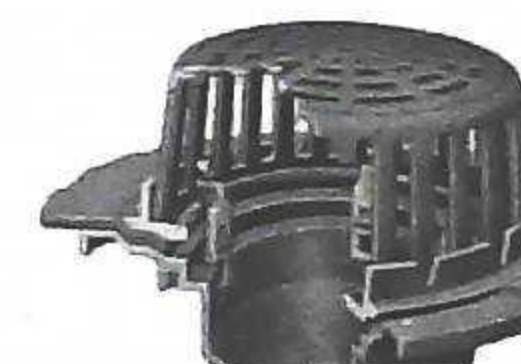
The following are a few optional features applicable to any Josam sump type roof drain.



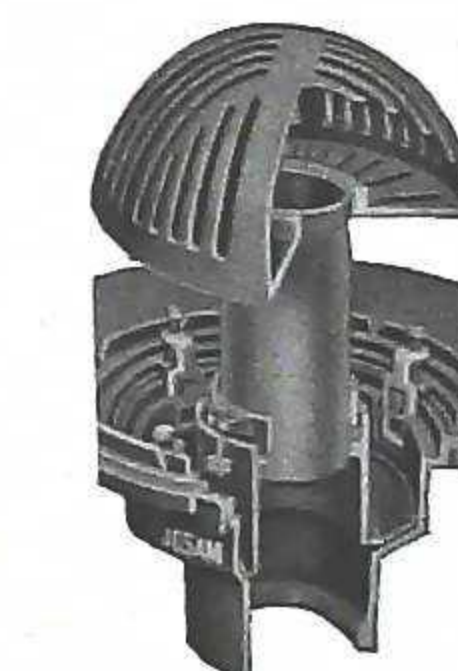
**INTEGRAL EXPANSION JOINT**



**PROMENADE TOP**



**LARGE DOME**



**FLOODING WATER DAM ROOF DRAIN**

The adjustable flooding water dam feature can be used with any Josam sump type roof drain on buildings with a flat roof, where a flooded roof is required for insulating or air conditioning purposes, or as a cooling pond. The illustration shows the flooding water dam applied to Josam Series 410 Roof Drain. The stand-pipe is adjustable for depth of water on the roof from 3/4" to 6".

**DIMENSIONS IN INCHES**

Series No.	Type No.	A Outlet	B	C	D	E	F	G	G'	H	H'	J	K	L	Wgt. Lbs.
410	412	2	4 3/4	12	6 1/4	7 1/2	15 1/4	8 3/4		7 3/4		16	12 1/2		41
	413	3	4 3/4	12	6 1/4	7 1/2	15 1/4	8 3/4		7 3/4		16	12 1/2		43
	414	4	4 3/4	12	6 1/4	7 1/2	15 1/4	8 3/4		7 3/4		16	12 1/2		42
	415	5	5 1/4	13	6 1/4	7 1/2	16 1/2	9 1/2		7 3/4		17 1/4	13 1/2		52
	416	6	6 1/4	14	6 1/4	8 1/2	17 1/2	10 1/2		8		18 1/4	14 1/2		59
	418	8	8 1/4	16	7 1/4	8 1/2	19 1/2	12 3/4		7 3/4		20 3/4	16 1/2		77
419	10	8 1/4	16	7 1/4		19 1/2	12 3/4		7 3/4		20 3/4	16 1/2		78	
4710	4712	2	4 3/4	10 3/4	5 3/4	7	15 1/4	9 1/2		8 3/8		16	12 1/2		42
	4713	3	4 3/4	10 3/4	5 3/4	7	15 1/4	9 1/2		8 3/8		16	12 1/2		42
	4714	4	4 3/4	10 3/4	5 3/4	7	15 1/4	9 1/2		8 3/8		16	12 1/2		42
	4715	5	4 3/4	10 3/4	5 3/4	6 7/8	15 1/4	9 1/2		8 3/8		16	12 1/2		42
	4716	6	4 3/4	10 3/4	5 3/4	6 3/4	15 1/4	9 1/2		8 3/8		16	12 1/2		42

FOR COMPLETE INFORMATION ON FLOOR DRAINS, SEE JOSAM CATALOG



**SERIES NO. 420   SERIES NO. 430   SERIES NO. 4010   SERIES NO. 4110   SERIES NO. 4210   SERIES NO. 4640-D   SERIES NO. 1810   SERIES NO. 1870**



## GREASE INTERCEPTORS

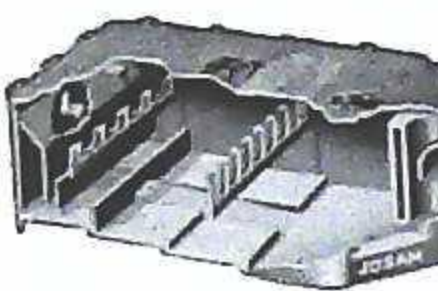
Every restaurant, hotel, school or hospital where food is prepared or served, is faced with the problem of grease clogged waste lines causing interruption and costly repairs. Manufacturing plants which spill grease waste into sewers, streams and lakes are faced with the problem of clogged drain lines, obnoxious odors, costly repairs and growing complaints from sewage disposal plants.

The right answer to all these problems is the installation of Josam Cascade Grease Interceptors which carry the Plumbing and Drainage Institute Seal of Approval.



### SERIES JA STANDARD TYPE

Series "JA," Josam Grease Interceptor — for installation on floor, partially recessed in floor, or fully recessed with cover flush at floor, with shallow roughing.



### SERIES JLA LOWBOY TYPE

Series "JLA" permits installation on floor next to dishwashing machine or other low outlet fixtures without trapping the inlet or holding water in basin of dishwasher.



### SERIES JX EXTENSION TYPE

Series "JX" is identical in design to Series "JA" except with steel extension and flashing flange, with deep roughing, for recessed installation.

Modern and progressive Packing Houses and Industrial plants where greases, fats, and oils are present in waste water, recognize the salvage value of such waste items and the hazardous and costly drainage problems when lines become clogged. As a consequence, grease separation equipment is a primary "must" for sausage, killing, grease rendering, food processing and similar rooms or equipment where grease and oil laden wastes should be prevented from entering waste lines.

### PERMAKOTE FINISH

All Josam Steel Grease Interceptors are finished inside and outside with "Permakote" protective coating which is resistant to abrasion, heat, cold, alkali, acid, salt spray, solvents, fumes, fire and all weather conditions.

## For Domestic and Commercial Service

WITH "PDI" SEAL OF APPROVAL

### DESIGN AND FEATURES

**CONSTRUCTION:** Interceptor body is made of heavy cast iron lacquered inside and outside, with cast iron removable baffles, gasketed flush cover with lift handles, cascade bottom with solids evacuating channel, internal air relief, visible double wall deep seal code trap, female threaded connections for shallow roughing and with flow control fitting.

**CASCADE DESIGN:** An exclusive feature of all Josam Grease Interceptors is the cascade design based on the principle of the waterfall. Grease is separated from the waste water regardless of waste water temperature. Solids and sediment are evacuated through the evacuating channel, reducing the possibility of decomposition which causes foul odors.

**INTERNAL AIR RELIEF:** This feature on all Josam Grease Interceptors eliminates the need for a vent from the intercepting chamber. Its function is to relieve the entrained air to the sewer and sewer vents, thereby preventing the possibility of syphonic action.

**FLOW CONTROL:** A Josam Flow Control Fitting is included with all Josam Grease Interceptors at no extra cost. The flow control should be installed to prevent overloading an interceptor and to maintain a rate of at least 90% grease retention efficiency in accordance with Plumbing and Drainage Institute Standard PDI-G101.

NO COLD WATER CONNECTIONS REQUIRED

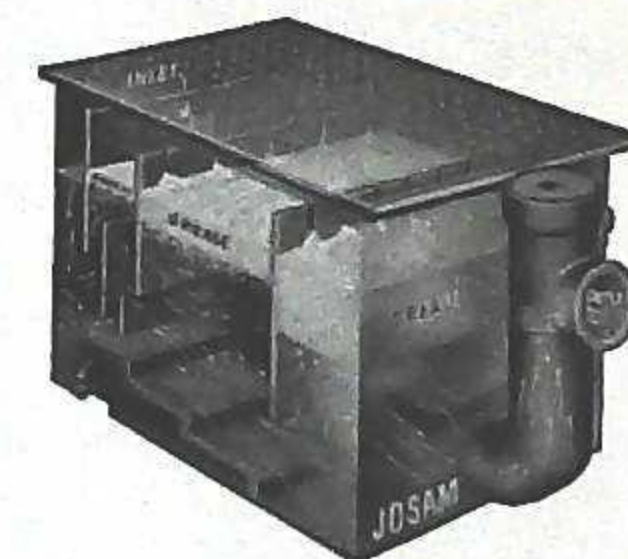
All Josam Cast Iron Grease Interceptors carry the Official Seal of Approval of the Plumbing and Drainage Institute. To receive certification in accordance with the Plumbing and Drainage Institute standard testing procedure, the interceptor must have an average grease retention efficiency of 90% or more, which signifies that the size, flow rate and grease retention capacity of that interceptor has been established and certified in accordance with the testing and rating procedure for grease interceptors "Plumbing and Drainage Institute Standard PDI-G101."



Type	Flow Rate G.P.M. (U. S. Gal.)	Grease Cap. Lbs.	Inlet and Outlet	Weight Lbs. *
J-00A	4	8	2"	50
J-0A	7	14	2"	76
J-1A	10	20	2"	104
J-2A	15	30	2"	152
J-3A	20	40	3"	200
J-4A	25	50	3"	230
J-5A	35	70	3"	300
J-6A	50	100	3"	395
JL-3A	20	40	2"	245
JL-5A	35	70	3"	452
JX-2	15	30	2"	152
JX-3	20	40	3"	200
JX-4	25	50	3"	230
JX-5	35	70	3"	300
JX-6	50	100	3"	395

\*Series JX, Weight less extension.

## For Commercial, Industrial and Packing House Service

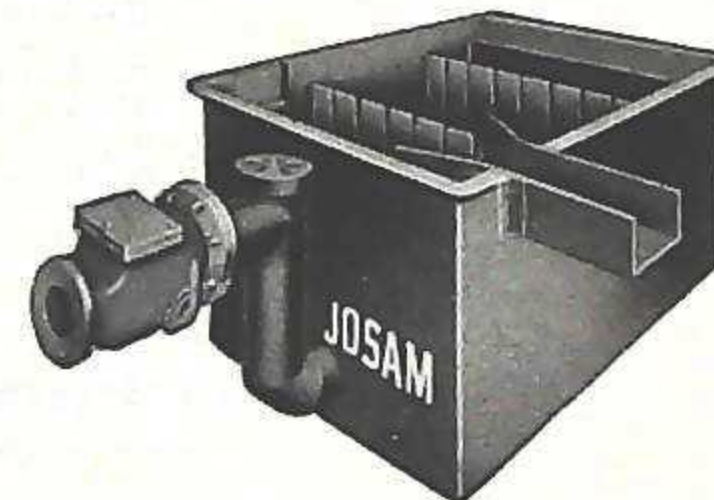


### SERIES JNC

All Welded Steel, Permakote finish inside and outside, nonskid loose cover, cleanout to trap leg, cascade bottom, solids evacuating channel, visible double wall deep seal code trap, removable baffles, non-submerged inlet and outlet, flow control. Shallow roughing for installation on floor, or partially or fully recessed in floor.

### SERIES PH

All steel, with cascade bottom, solids evacuating channel, visible double wall trap seal, flanged inlet and outlet connections, flow control, skimming trough, skimming valve. Permakote finish.



### SERIES PH

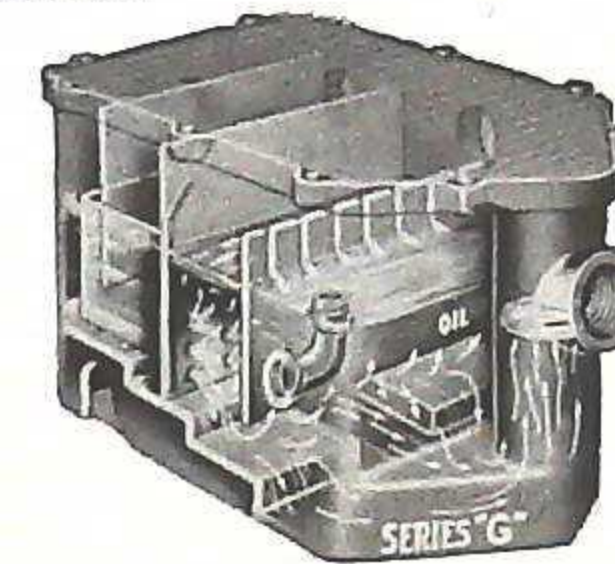
Type	Flow Rate G.P.M.	Grease Cap. Lbs.	Inlet and Outlet	Weight Lbs.
JNC-12	70	230	4"	570
JNC-13	100	330	4"	715
JNC-14	140	460	5"	1150
JNC-15	175	580	5"	1425
JNC-16	250	830	5"	1800
JNC-17	350	1160	5"	2300
PH-3	75	170	.....	.....
PH-4	100	225	.....	.....
PH-5	150	340	.....	.....
PH-6	200	450	.....	.....
PH-7	250	565	.....	.....
PH-8	350	790	.....	.....
PH-9	500	1120	.....	.....
PH-10	750	1685	.....	.....
PH-11	1000	2250	.....	.....

Details and dimensions on application.

## — PROTECT PROPERTY AND MERCHANDISE — Avoid Fire, Explosion and Water Pollution Reclaim Valuable Oils

Oil, gasoline, naphtha and similar volatile liquids may cause fire, explosion and water pollution if allowed to accumulate in the drainage system.

With a Josam Oil Interceptor located at the proper point, the dangerous liquids are intercepted from the waste water and are safely drawn off.



### SERIES GA



### SERIES GNC

The gravity draw-off, regularly provided, drains off the accumulated oil, gasoline and other light density substances above operating level to storage tanks or containers for salvage use or sale.

Any establishment, where inflammable materials are used, should have the fullest protection against fire, explosion and water pollution. The expenditure for an installation of a Josam oil interceptor is small in comparison with the protection it provides. Oils are intercepted and reclaimed, and this dangerous source of fire, explosion and water pollution is completely and positively eliminated.

Type	Flow Rate G.P.M. (U. S. Gal.)	Inlet and Outlet	Weight Lbs.
G-10A	10	2"	104
G-20A	15	2"	152
G-30A	20	3"	200
G-40A	25	3"	230
G-50A	35	3"	300
G-60A	50	3"	395
GNC-110	75	3"	450
GNC-120	100	4"	575
GNC-130	150	4"	750
GNC-140	200	.....	.....
GNC-150	250	.....	.....
GNC-160	350	.....	.....
GNC-170	500	.....	.....

† Based on lubricating oil at 90% efficiency.

Write for Oil Interceptor Manual

## OIL INTERCEPTORS

There is a size and type for every service in garages, hangars, filling and service stations, repair shops, laundries, dry cleaning plants, machine shops, refineries, mills and wherever volatile substances are present in waste water, or are a by-product of the industrial process.

**SERIES GA**—Cast iron lacquer body with cascade bottom, center channel, visible double wall deep seal code trap, adjustable gravity draw-off and vent connections on each side, removable sediment bucket, removable baffles, gasketed cover with recessed lift rings, nonsubmerged inlet and outlet, and flow control fitting.

**SERIES GX**—Same as Series GA except with steel extension having steel flashing flange, and with cast iron flange on extension to receive cover and serve as a concrete stop. (Extra height extensions can be furnished to meet special depth conditions).

**SERIES GNC**—All welded steel body, cascade bottom, center channel, visible double wall deep seal code trap, adjustable draw-off and vent connections on each side, removable sediment bucket and baffles, nonskid cover with lifting eye bolts, cleanout plug to trap leg, non-submerged inlet and outlet, and flow control fitting. Permakote acid-resisting finish inside and outside.

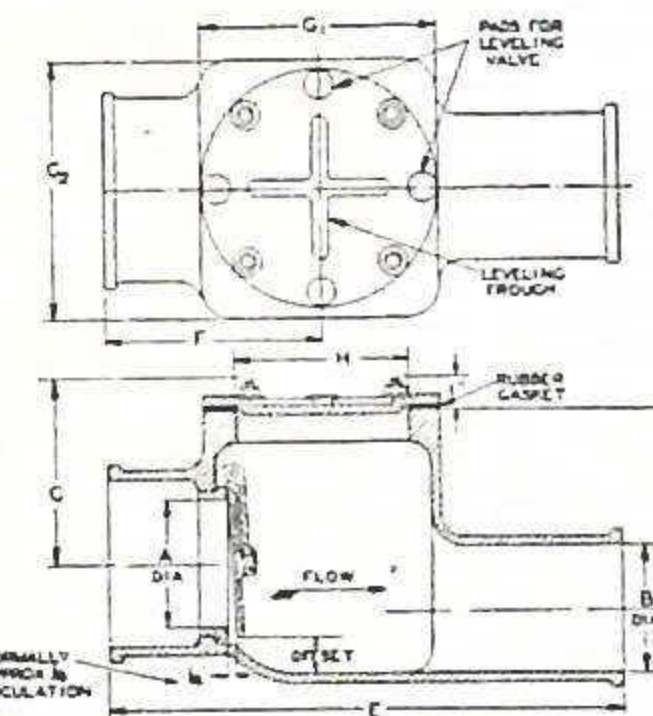
**SERIES GRC**—Same as Series GNC, except with anchor or flashing flange for anchoring in concrete construction or attaching waterproofing.

## Prevent Sewer Back-Flow Protect Property, Equipment and Supplies

Water and sewage which backs up from the street and floods basements through plumbing fixtures or floor drains, causes untold damage to property, equipment and merchandise. To prevent the occurrence of this damage, Josam Sewer Valves give positive protection. The sensitivity of the valve mechanism causes the flap to close with the slightest back-flow, preventing entry of any backwater or sewage into drain line.



### SERIES 1170-T



### CONSTRUCTION

**SERIES NO. 1170-T**—Cast-iron lacquer with hub inlet, spigot outlet, bronze top hung, vertical swing revolving flap, bronze valve seat, cast-iron bolted access cover with leveling pads.

**OPTIONAL**—Valves can be furnished with bolted down or threaded cleanout cover, side hung horizontal swing flap, bell and spigot or flanged connections or for tile sewer pipe. Sizes up to 30".

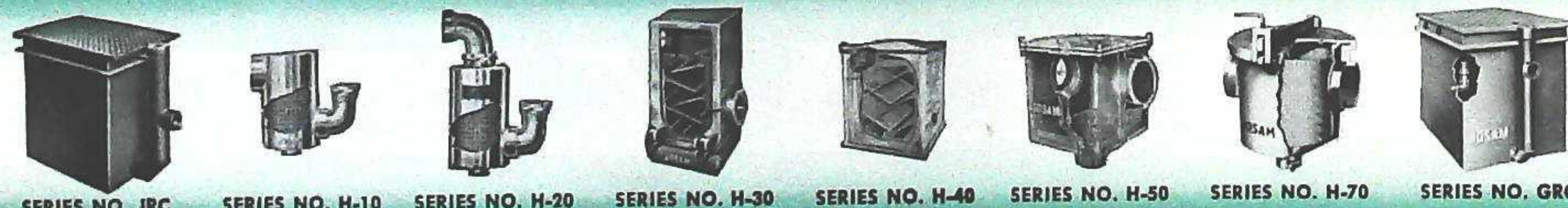
### FEATURES

- Flap is normally open to allow continuous air circulation through the vent stack.
- Flap closes with slightest backflow, preventing entry of backwater or sewage into drain lines and basement.
- Covers are gas-tight to prevent escape of sewer gas.
- Leveling pads and leveling water trough permit easy and accurate leveling of valve in construction.

Type	Inlet A and Outlet B	C	D	E	F	G1	G2	H	Offset	Wgt. Lbs.
1172-T	2	4 1/4	5	12 1/4	5	5	6	3 1/4	1	22
1173-T	3	5 1/4	5 1/2	14 1/4	6	6 1/4	7	4 1/4	1	29
1174-T	4	5 3/4	6 1/4	16	6 3/4	7 3/8	8	5 3/4	1	41
1175-T	5	6 1/2	7 1/4	18	7 3/8	8 1/2	9 1/2	6 3/8	1 3/4	56
1176-T	6	7 1/2	8 1/2	21	8 3/8	10 1/2	11 1/4	8 3/8	1 5/8	75
1178-T	8	9	10 1/4	25	11 1/4	12 5/8	14 3/8	10 1/2	2 3/8	135

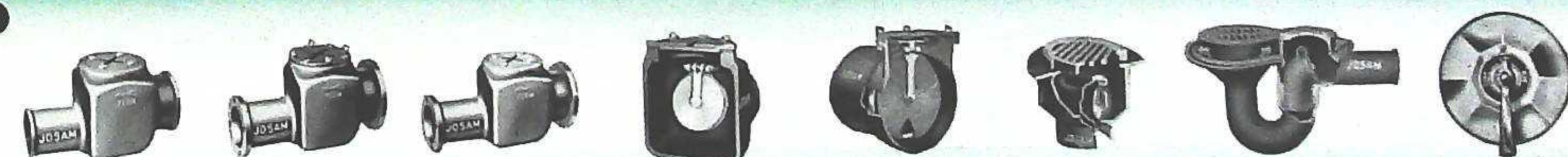
Write for Bulletin BWV

### COMPLETE INFORMATION IN JOSAM MANUAL "B"



SERIES NO. JRC    SERIES NO. H-10    SERIES NO. H-20    SERIES NO. H-30    SERIES NO. H-40    SERIES NO. H-50    SERIES NO. H-70    SERIES NO. GRC

### COMPLETE INFORMATION IN JOSAM CATALOG



SERIES NO. 1180-T    SERIES NO. 1270-T    SERIES NO. 1280-T    SERIES NO. 1170 1/2-T    SERIES NO. 1110 1/2-T    SERIES NO. 680-V    SERIES NO. 860-V    SERIES NO. 1425-HH

**Josam**  
**SWIMMING POOL FITTINGS**



SERIES NO. 0700-B

With the Josam Injector Supply Series 0700-B, continuous circulation of pool content is assured, due to the syphonic action which also effects a secondary circulation within the pool.

Josam Manual SP-3 covers swimming pool drainage products, such as supply fittings, outlets, gutter drains, vacuum connections, overflow connections, lane markers, walkway and compulsory lane drains, hair and sediment interceptors. The detailed plans, recommendations and drawings for indoor and outdoor swimming pools, cover modern pool layouts and construction details. The layouts and details are typical designs of Municipal, Commercial, Private and Institutional pool systems which have been used in various parts of the country.

Write for Swimming Pool Manual SP-3

**Josam**  
**HAIR AND SEDIMENT INTERCEPTORS**



SERIES NO. H-10

For the interception of hair, lint, plaster, jewels, gauze, precious metals, grindings and various compounds. Provide complete protection against clogged waste lines on sinks and lavatories in hotels, barber shops, beauty parlors, hospitals and dental laboratories. Permits easy access for the recovery of materials, cleaning and maintenance.

**SERIES NO. H-10**—Cast brass sediment interceptor for installation on sink or lavatory roughing.

**SERIES NO. H-40**—Cast iron sediment interceptor with removable bronze screens for installation on floor.

**SERIES NO. H-50**—Cast iron sediment and hair interceptor with removable bronze basket screen for installation on pipe standard.

Write for Sediment Interceptor Folder

**Josam**  
**SHOCK ABSORBERS FOR WATER SUPPLY LINES**



SERIES NO. 1470

For installation on all water service lines to reduce or eliminate water hammer. Particularly helpful on automatic dishwashers, meters, pumping systems, tankless heaters and many other types of similar equipment in office buildings, hotels, apartments, hospitals, schools, churches, theaters, laundries and industrial plants, where quick acting, snap action valves are in use. The danger and annoyance of water hammer is reduced or completely eliminated with Josam Shock Absorbers.

**CONSTRUCTION**

Diaphragm type shock absorber with bolted sectional cast iron shell and rubber diaphragm backed by a steel diaphragm floating in a steel friction ring and reinforced by steel recoil springs with fibre buttons.

Write for Shock Absorber Folder

**JOSAM REPRESENTATIVES COVER THE WORLD**

**PACIFIC TERRITORY**  
 The 9 Western States

**JOSAM PACIFIC CO.**

**MAIN OFFICE & FACTORY**  
 765 FOLSOM ST.  
 SAN FRANCISCO 7, CALIF.  
 PHONE: EX. 2-3143

**LOS ANGELES BRANCH**  
 1258 South Boyle Avenue  
 Los Angeles 23, Calif.  
 Phone: ANgelus 3-7108

**SEATTLE BRANCH**  
 1016 First Avenue, South  
 Seattle 4, Wash.  
 Phone: MAin 5140

**PHOENIX SALES OFFICE**  
 3009 N. 19th Avenue, Apt. No. 92  
 Phoenix, Arizona  
 Phone: AL 2-7663

City & State	Representatives	Tel. No.
PORTLAND 4, ORE.	W. JANES	AT. 6443
SALT LAKE CITY 1, UTAH	A. BERNSTEIN	3-4436
SPOKANE 8, WASH.	W. MURRAY	FA. 3726
HAWAII, Write SAN FRANCISCO		
PHILIPPINES - ALASKA, Write SAN FRANCISCO		
NEW MEXICO - EL PASO, TEXAS Write PHOENIX SALES OFFICE		
IDAHO - Write NEAREST OFFICE		
MONTANA - Write SPOKANE OFFICE		

City and State	Representative	Tel. No.
ATLANTA, GA.	B. W. BRADFORD	AL. 9588
BALTIMORE, MD.	R. B. FULTON	BE. 4161
BOSTON, MASS.	L. TUCKER	LA. 3-5544
BUFFALO, N. Y.		
(Middleport, N. Y.)	E. G. ZIMMERMAN	MI. 6-5261
CHATTANOOGA, TENN.	L. M. FLANARY	CH. 6-2632
CHICAGO, ILL.	LEO MAYER	ST. 2-2626
CINCINNATI, O.	J. M. BEGLEN	CH. 2506
CLEVELAND, O.	E. H. GARDNER	PR. 1-2676
DALLAS, TEXAS	J. P. DILLARD & ASSO.	RI. 9691
DENVER, COLO.	C. H. ROATH CO.	TA. 4078
DES MOINES, IOWA	PRODUCTS, INC.	8-5739
	D. E. Wells	
DETROIT, MICH.	ELMO G. LIDDLE	VE. 7-5312
GRAND RAPIDS, MICH.	J. R. THOMAS	GL. 4-2500
GREENSBORO, N. C.	J. LARRY BATTIS	3-5254
HARTFORD, CONN.	R. J. YOST	6-7675
HOUSTON, TEXAS	J. P. DILLARD & ASSO.	JA. 3074
JACKSONVILLE, FLA.	F. C. JACK	3-0160
KANSAS CITY, MO.	M. M. RIVARD SALES CO.	VA. 3225
LITTLE ROCK, ARK.	E. L. GOLDSTEIN	3-4664
MEMPHIS, TENN.	CORRIGAN CO.	7-2833
MIAMI, FLA.	N. C. ASCHER	82-3195
MILWAUKEE, WIS.	B. F. STICKLER	GR. 6-5400
MINNEAPOLIS, MINN.	JAMES F. O'HARA & CO.	AT. 7031
NASHVILLE, TENN.	P. R. JARRATT	6-3223
NEWARK, N. J.	J. A. MALONEY	MA. 3-7512
NEW ORLEANS, LA.	JOS. TANET	RA. 3656
NEW YORK CITY	A. T. MESEREAU	MU. HIII 2-0017
OKLAHOMA CITY, OKLA.	M. F. FISHELL	RE. 9-2260
OMAHA, NEBR.	V. SIMMONDS CO.	JA 3566
PHILADELPHIA, PA.	WALL & HOLLOWAY, INC.	RI. 6-7060
	M. A. SISK	CO. 1-3646
PITTSBURGH, PA.	TAYLOR, LIPSCOMB & APPEL, INC.	7-6153
RICHMOND, VA.	J. S. MALONE	CE. 7431
ST. LOUIS, MO.	J. A. WALSH	5-4197
SYRACUSE, N. Y.	BARNETT & BENNER	LA. 6-5353
WASHINGTON, D. C.		

**CANADIAN and FOREIGN**

**JOSAM CANADA LIMITED**

Head Office  
 267 Davenport Road  
 TORONTO, CANADA  
 Tel.: Midway 0943

Representatives in  
 CALGARY — MONTREAL  
 VANCOUVER — WINNIPEG

**FOREIGN REPRESENTATIVES**

**SAN JUAN, PUERTO RICO**  
 P. O. Box 3952  
 COMMERCIAL ADOLFO S. PAGAN INC.

**MEXICO, D. F. MEXICO**  
 Amsler Y Cia. S.A.  
 Marsella No. 28 — Tel. 11-26-39

**JORGE BARBARA**  
 2a. Cerrada Ameyalco  
 Col. del Valle  
 Tel. 37-39-33

**BUENOS AIRES, ARGENTINA**  
 Alsina 743

**JOHNS MANVILLE-BOLEY LTD.**

**DAYTON PRICE & CO., LTD.**  
 Ambard Division  
 1 Park Ave., New York 1, N. Y.

Representatives in  
 BERMUDA, WEST INDIES (except Puerto Rico), CENTRAL AMERICA, SOUTH AMERICA (except Argentina, Brazil, Columbia)

**JOSAM MANUFACTURING COMPANY**

EXECUTIVE OFFICES AND MANUFACTURING DIVISION — MICHIGAN CITY, IND.

Phone 3-3251

Form No. SC-852-40M

Printed in U.S.A.