

CO₂ Component Description

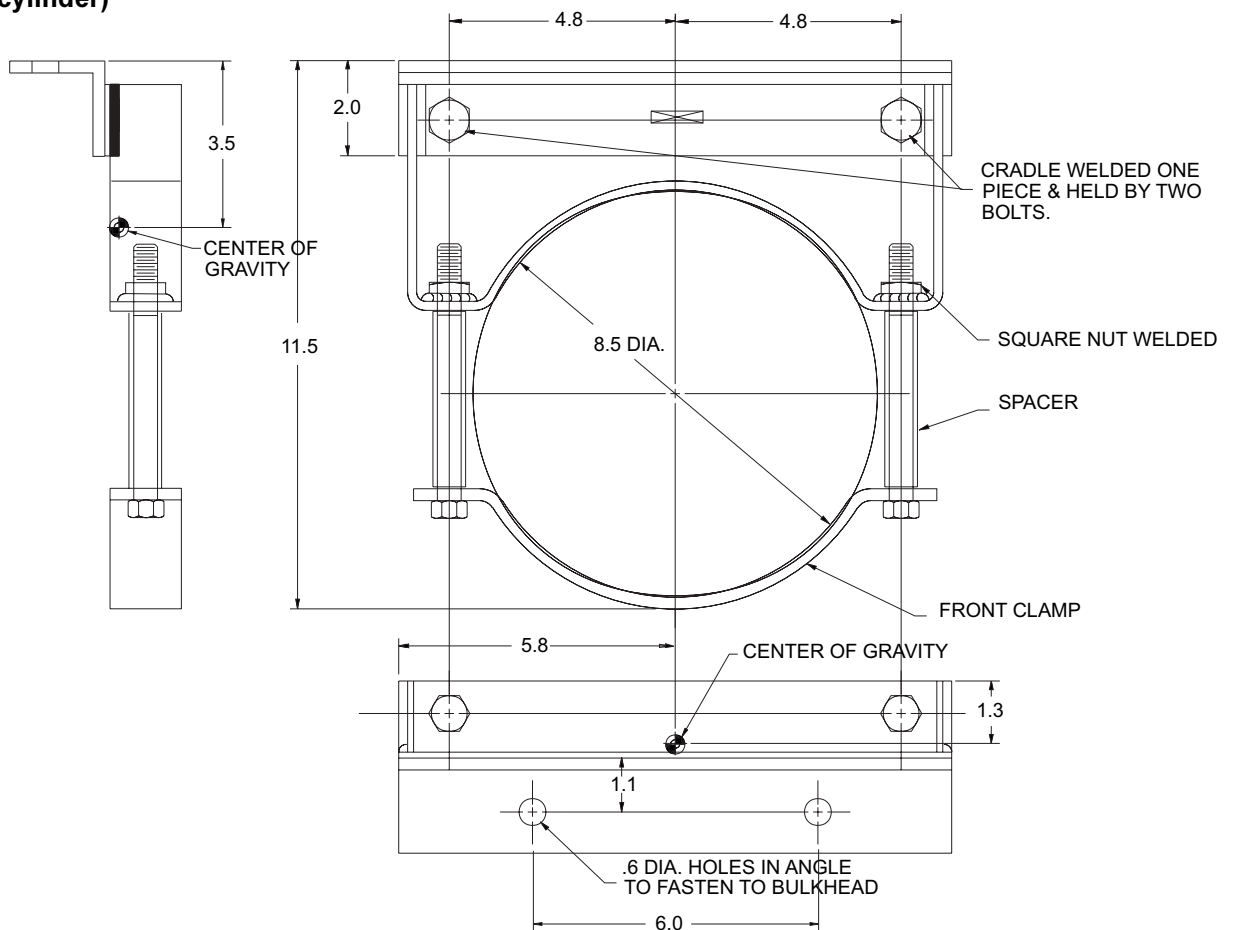
1 Cylinder Rack (8.02 lb.)

FEATURES

- For use with Naval Specification CO₂ Systems
- Meets Requirements of U.S. Specification MIL-E-2185 & MIL-E-2186

P/N: 925786

(use 2 per cylinder)



ALL DIMENSIONS IN INCHES - FOR REFERENCE ONLY.

This literature is provided for informational purposes only. KIDDE-FENWAL, INC. assumes no responsibility for the product's suitability for a particular application. The product must be properly applied to work correctly. If you need more information on this product, or if you have a particular problem or question, contact KIDDE-FENWAL INC., Ashland, MA 01721. Telephone: (508) 881-2000

Kidde Fire Systems
400 Main Street
Ashland, MA 01721 USA
Tel: (508) 881-2000
Fax: (508) 881-8920
<http://www.kiddefiresystems.com>