



360° Discharge Nozzle

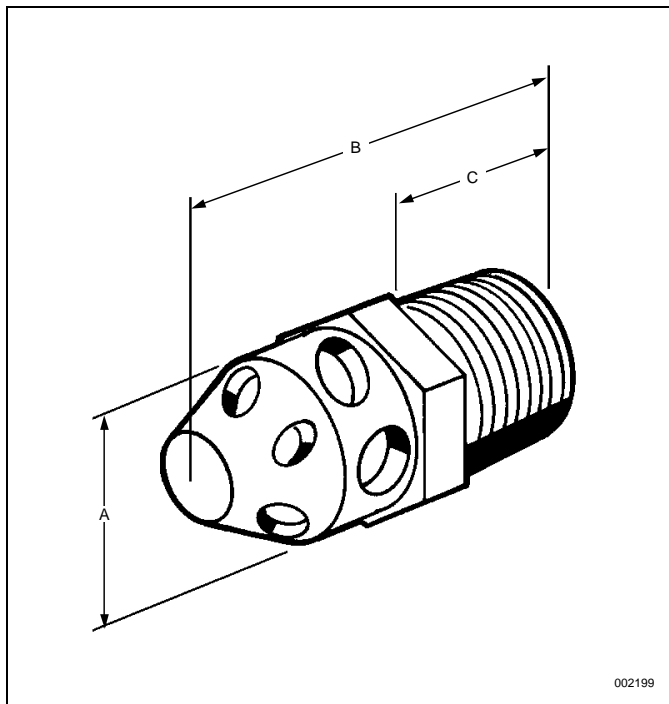
Description

Discharge nozzles are designed to direct the discharge of INERGEN® agent using the stored pressure from the cylinders. Ten sizes of nozzles are available. The system design specifies the orifice size to be used for proper flow rate and distribution pattern*. The nozzle selection depends on the hazard and location to be protected. Standard nozzles are constructed of brass.

NOTE: 2, 2 1/2, and 3 in. nozzles are not recommended in areas that are subject to damage by high velocity discharges, such as suspended ceiling tiles.

Shipping Assembly Part No.	Description
417908	1/4 in. NPT nozzle**
417723	3/8 in. NPT nozzle**
417362	1/2 in. NPT nozzle
417363	3/4 in. NPT nozzle
417364	1 in. NPT nozzle
417365	1 1/4 in. NPT nozzle
417366	1 1/2 in. NPT nozzle
426155	2 in. NPT nozzle
426156	2 1/2 in. NPT nozzle
426137	3 in. NPT nozzle

Component	Material	Thread Size	Approvals
Nozzle	Body-Brass	1/4**, 3/8**, 1/2, 3/4, 1, 1 1/4, 1 1/2, 2, 2 1/2, 3 NPT	FMRC Approved UL Listed (EX-4510)



Size	A-In.	B-In.	C-In.	Hex
1/4 in.	5/8	1 9/16	21/32	5/8
3/8 in.	3/4	1 5/8	23/32	3/4
1/2 in.	15/16	1 31/32	27/32	15/16
3/4 in.	1 1/8	2 5/32	7/8	1 1/8
1 in.	1 13/32	2 9/16	1	1 7/16
1 1/4 in.	1 3/4	2 3/4	1 1/16	1 3/4
1 1/2 in.	2	2 31/32	1 1/16	2
2 in.	2 3/8	3	1	2 3/8
2 1/2 in.	3	3 1/2	1	3
3 in.	3 1/2	4 1/8	1 1/4	3 1/2

- ▶ NOTE: Refer to "Nozzle/Pressure Reducer Range Chart" in
- ▶ Design Section for detailed orifice range information.

ANSUL and INERGEN are trademarks of Ansul Incorporated or its affiliates.

* Orifice diameter must be specified when ordering nozzle.
Refer to Orifice Size Chart in Manual Appendix Section.

**UL/ULC listed only.