

# Fenwal Engineered Fire Suppression System

Effective March 2005

F-44-9045

Designed for use with 3M™ Novec™ 1230 Fire Protection Fluid

## 3" Flexible Discharge Hose Component Sheet

# FENWAL®

P/N: 06-118225-001

### FEATURES

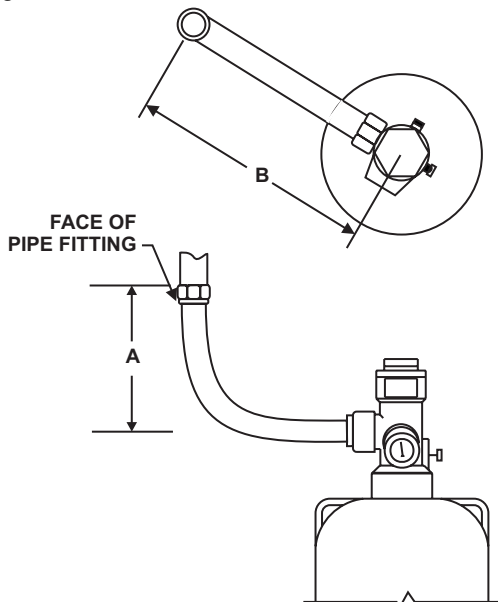
- **Stainless Steel Braided**
- **Victaulic Fittings**
- **FM Approved**
- **UL Listed**

### DESCRIPTION

Stainless Steel flexible hose is used to connect the 3-inch valve cylinders (both the 600 and 900 lb. cylinders) to discharge piping. The hose has a victaulic fitting at the cylinder end and a 3-inch male groove fitting to connect to the piping.

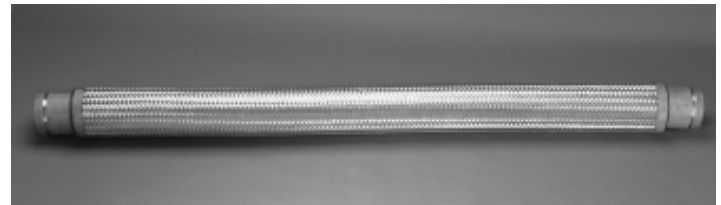
### INSTALLATION

The stainless steel flexible braid hose may be installed horizontally or with a 90 degree bend radius as shown in the diagram below.



**Note:** Dimensions A and B must be maintained in order to obtain a smooth radius in flexible loop. Hose may require adapter to connect to system piping.

Fenwal is a registered trademark of Kidde-Fenwal, Inc.  
3M and Novec are trademarks of 3M.  
All other trademarks are property of their respective owners.

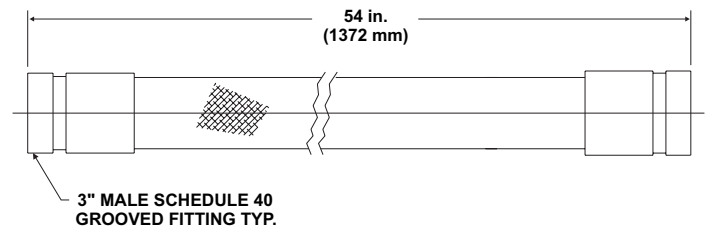


### ORDERING INFORMATION

The part number for ordering the 3-inch flexible discharge hose is 06-118225-001.

### SPECIFICATION

<b>Material:</b>	Convuluted hose with stainless steel braid overlay
<b>Working pressure:</b>	500 PSI (3.4 Mpa)
<b>Proof pressure:</b>	1000 PSI (7.0 Mpa)
<b>Burst pressure:</b>	2000 PSI (13.8 Mpa)



This literature is provided for informational purposes only. KIDDE-FENWAL, INC. assumes no responsibility for the product's suitability for a particular application. The product must be properly applied to perform as described herein. If you need more information on this product, or if you have a question, contact KIDDE-FENWAL, INC., Ashland, MA 01721; Telephone (508) 881-2000

F-44-9045

©2005 Kidde-Fenwal, Inc. Printed in U.S.A.