

## ACA-V ANALOG MULTI-CRITERIA SENSOR



*Shown without base*

### STANDARD FEATURES

- Low Profile - Only 2.23" high, including base
- Simple and reliable device addressing method
- Automatic compensation for sensor contamination
- Built-in fire test feature
- Uses the noise immune Digital Communication Protocol (DCP), which utilizes interrupts for fast response to fires
- Two built-in power/alarm LED's
- Programmable Non-polling LED's
- Non-directional smoke chamber
- Vandal resistant security locking feature
- Removable smoke labyrinth for cleaning or replacement
- Compatible with the analog sensors

### SPECIFICATIONS

Operating Voltage	17-41 VDC
Standby Current	450µA
Alarm Current	540µA
Transmission Method	DCP - Digital Communication Protocol
Operating Temperature	14°F (-10°C) - 122°F (50°C)
UL Temperature Range	135°F (57°C) - 150°F (65°C)
Storage Temperature Range	-4°F (-20°C) - 140°F (60°C)
Maximum Humidity	95% RH Non-Condensing
Color & Case Material	Ivory
Weight	4.2 oz (5.9 oz. with 4" base)
Dimensions	3.9"W x 1.8"H
Bases	4" YBN-NSA-4 6" HSB-NSA-6 6" ASB

### APPLICATION

The HOCHIKI America ACA-V Multi-Criteria Smoke Sensor is particularly suited for detecting smoke produced by a wide range of combustibles found in various applications. Temperature monitoring is achieved by a thermistor placed for optimum sensitivity. Hochiki's unique design allows fast response to flaming fires as well as smoldering fires while minimizing false alarms.

### OPERATION

The ACA-V chamber consists of a light emitting diode (LED) and photodiode arrangement. The chamber is designed such that light emitted by the LED cannot normally reach the photodiode. In the event of fire, particles of smoke enter the chamber and scatter the light. As the smoke level increases, the scattering effect increases, causing more light to hit the photodiode. The chamber contains a unique design which allows smoke to enter the chamber while preventing external light from affecting the photodiode. The photodiode input level is sampled to sense smoke density. When the smoke density exceeds a preset threshold the sensor transmits an interrupt to the fire control panel indicating a fire condition. The fire alarm control panel can adjust the sensor threshold to compensate for contamination.

The ACA-V Heat portion incorporates a highly linear thermistor circuit, with the thermistor mounted externally. The specially designed cover protects the thermistor while allowing maximum air flow. The thermistor circuit produces a voltage proportional to temperature which is scaled, and transmitted as a digitally encoded value to the control panel. When the ambient temperature exceeds a pre-programmed threshold (fixed temperature), the sensor transmits an interrupt to the control panel indicating a fire alarm. The fire alarm control panel can adjust the sensor threshold for different Standard's requirements.

Up to 127 devices are permitted on each loop. A sensor address can be set by a hand held programming unit. The sensor mounts to an electronics free base and incorporates a locking mechanism for secure installation. The base provides mounting slots, terminals for field wiring and a third contact for a remote indicator/LED. The sensor incorporates dual LED's for easy viewing of sensor status.

### PRODUCT LISTINGS



California  
State Fire  
Marshal  
7272-0410:182

*Continued on back.*

### Hochiki America Corporation

7051 Village Drive, Suite 100 Buena Park, CA 90621-2268  
Phone: 714/522-2246 Fax: 714/522-2268  
Technical Support: 800/845-6692 or technicalsupport@hochiki.com

Find latest revision at [www.hochiki.com](http://www.hochiki.com)



F0099 06/2012

# ENGINEERING SPECIFICATIONS

The contractor shall furnish and install where indicated on the plans, Multi-Criteria sensor HOCHIKI America Model ACA-V. The combination sensor head and twist lock base shall be UL listed compatible with the UL listed fire alarm control panel.

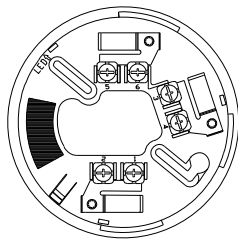
The base shall permit direct interchange with the HOCHIKI America ALG-V Photoelectric type smoke sensor, ALK-V/ ALK-V2 Photoelectric type sensor, AIE-EA ionization type smoke sensor, and the ATG-EA heat sensor.

The sensitivity of the sensor shall be capable of being measured by the control panel.

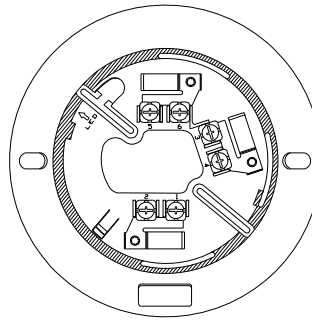
The vandal-resistant, security locking feature shall be used in those areas as indicated on the drawing. The locking feature shall be optional and can be implemented when required.

## BASES

The HOCHIKI America YBN-NSA-4 and the HSB-NSA-6 mounting bases are electronics free and are a simple rugged design with screw terminals for wiring connections. A common mounting base allows sensor interchange and maintains loop continuity when sensors are removed. A simple anti-tamper head locking system is provided which is enabled by removing a small plastic tab on the back of the sensor. Once locked, the head can be removed using a small diameter screw driver.

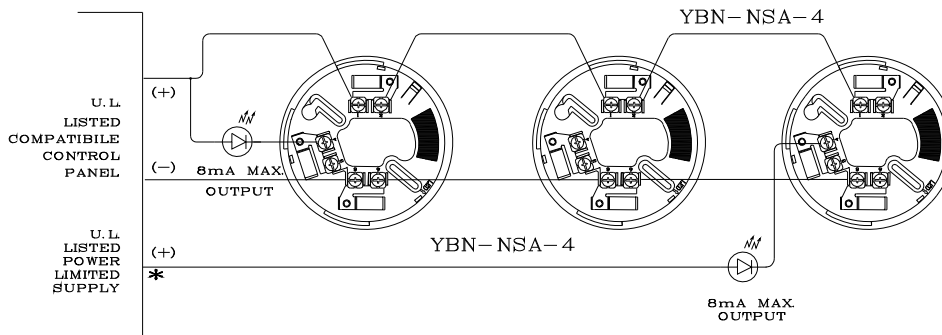


YBN-NSA-4 Base

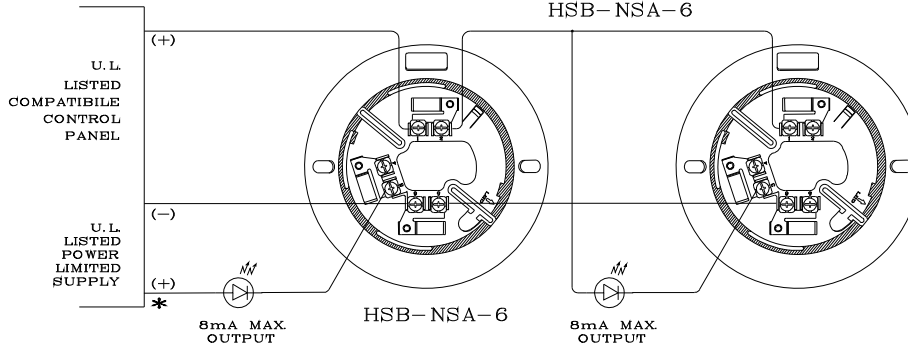


HSB-NSA-6 Base

## TYPICAL WIRING DIAGRAMS



\*- OPTIONAL WIRING CONFIGURATIONS FOR REMOTE OUTPUT  
HSB-NSA-6



NOTE: Fire alarm control panel compatibility is required for DCP products.

State-of-the-art communications protocol, DCP, allows system components (DCP sensors AIE-EA, ALG-V, ACA-V ALK-V and ATG-EA, bases and modules), to be used concurrently in a system's SLC (Signaling Line Circuit).