

Fenwal Engineered Fire Suppression System

Effective March 2005

F-44-6120

Designed for use with 3M™ Novec™ 1230 Fire Protection Fluid

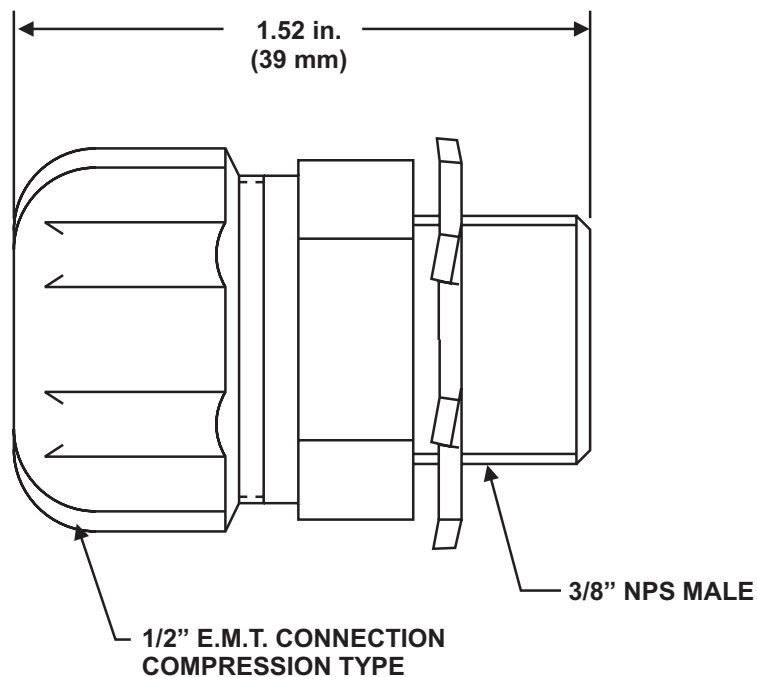
Adapter, 3/8" Pipe (Male) to 1/2" EMT (Female)
Component Sheet

FENWAL®

P/N: 843837

FEATURES

- For use with UL Listed, ULC Listed and FM Approved Systems



MATERIALS

- Zinc Plated Steel

Fenwal is a registered trademark of Kidde-Fenwal, Inc.
3M and Novec are trademarks of 3M.
All other trademarks are property of their respective owners.



FENWAL®
Protection Systems

KIDDE-FENWAL, INC.
400 MAIN STREET, ASHLAND, MA 01721
TEL: (508)881-2000 FAX: (508) 881-8920
www.fenwalfire.com

This literature is provided for informational purposes only. KIDDE-FENWAL, INC. assumes no responsibility for the product's suitability for a particular application. The product must be properly applied to perform as described herein.
If you need more information on this product, or if you have a question, contact KIDDE-FENWAL, INC., Ashland, MA 01721; Telephone (508) 881-2000

F-44-6120

©2005 Kidde-Fenwal, Inc. Printed in U.S.A.