



## CV-98 Electric Actuator

### Description

Electrical actuation of a CV-98 INERGEN valve is accomplished by a CV-98 electric actuator interfaced through an AUTOPULSE Control System. This actuator can be used in hazardous environments where the ambient temperature range is between 32 °F to 130 °F (0 °C to 54 °C). The electric actuator meets the requirements of N.E.C. Class I, Div. 1, Groups B, C, D and Class II, Div. 1, Groups E, F, G. A maximum of two CV-98 electric actuators can be used on a single AUTOPULSE release circuit. When using either one or two CV-98 electric actuators, a current limiter module, Part No. 427354, must always be used.

The Actuator Shipping Assembly contains a current limiter module along with an installation instruction sheet.

The actuator specifications are:

#### Nominal Voltage

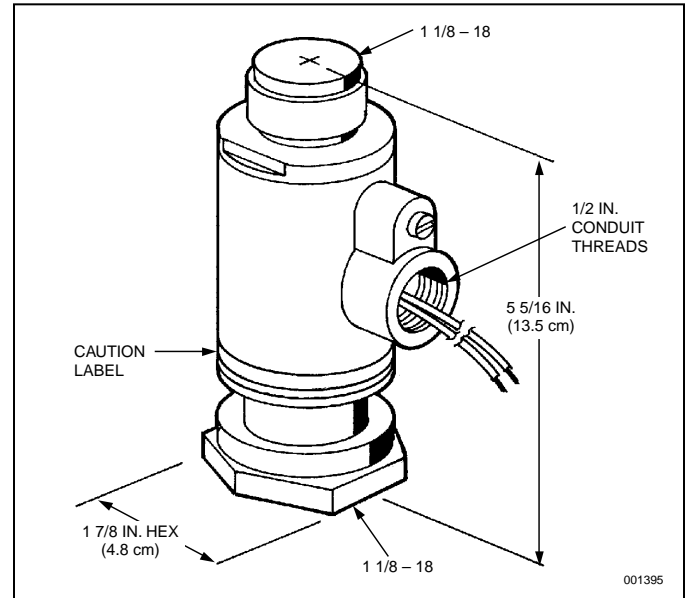
- ▶ 24 VDC @ .75 amps

In auxiliary or override applications, a manual cable pull actuator can be installed on top of the CV-98 electric actuator by removing the safety cap.

- ▶ A manual lever actuator, Part No. 423309, is available for use with the CV-98 electric actuator.

The actuator contains a standard 1/2 in. threaded female straight connector for electrical conduit hookup.

The CV-98 electric actuator uses a replaceable METRON® PROTRACTOR which is a device designed to produce a high force mechanical output. The actuator is electrically actuated and will operate within milliseconds.



The METRON PROTRACTOR must be replaced after discharge of the INERGEN system.

Shipping Assembly Part No.	Description
423684	CV-98 Electric Actuator
423958	Replaceable METRON PROTRACTOR
▶ 427354	Current Limiter Module

Component	Material	Thread Size/Type	Approvals
▶ CV-98 Electric Actuator	Body: Brass METRON PROTRACTOR Plunger: Stainless Steel	1/2 in. Straight Female on Conduit Connection	UL (E62842) FM Approved