



## CV-98 Cylinder Shipping Assembly

### Description

The CV-98 cylinder is factory filled with carbon dioxide. A single cylinder may be used or multiple cylinders can be manifolded together to obtain the required quantity of agent for total flooding or local application methods. The CV-98 cylinder can be actuated electrically, pneumatically, and/or manually with approved valve actuation components.

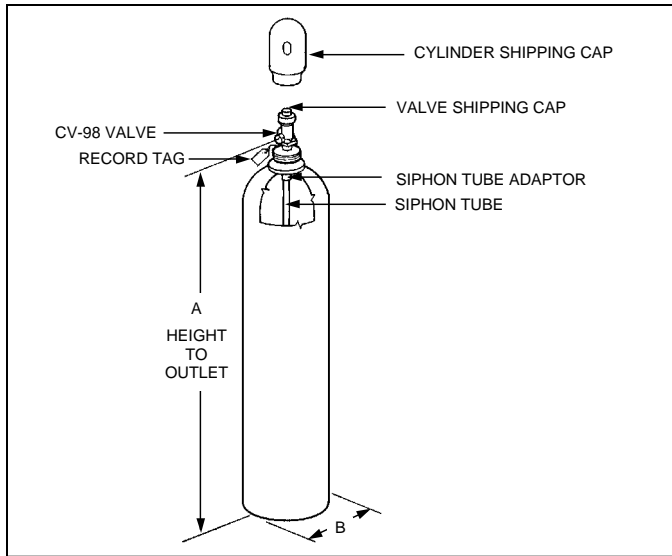
The cylinders are shipped with a maintenance record card and protective shipping cap attached to the threaded neck of each cylinder. This cap entirely encloses and protects the valve while in shipment.

The 35 and 50 lb. (15.9 and 22.7 kg) cylinders are manufactured with a bent siphon tube which allows for either horizontal or vertical mounting.

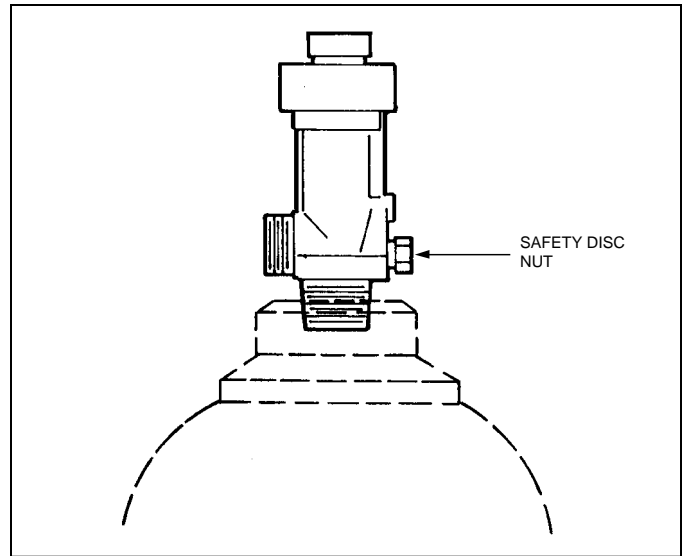
Component	Material	Thread Size/Type	Approvals
Cylinder	Steel	1-11 1/2 NPT, Female	Meets DOT 3A1800, 3AA1800, or 3AA2300
CV-98 Valve	Brass	1-11 1/2 NPT, Male x 1 5/16-12UN-3A Outlet Thread – Male	
Safety Relief Valve	Brass	.6250-18UNF-3B, Male	In Accordance with Bureau of Explosives
Valve/Tank Assembly			UL (EX-2968), FM Approved, Complies with Regulations of the U.S. Coast Guard (162.038/7/0) and meets requirements of NFPA 12.
Shipping Cap	Steel	3.125-11 NS1, Female	

Shipping Assembly Part No.	Weight Of CO <sub>2</sub> lb.	(kg)	Approximate Weight lb.	(kg)	Dimension A in.	(cm)	Dimension B in.	(cm)
<b>Finish: Red Enamel Paint</b>								
426242	35	(15.9)	121	(54.9)	35 3/4	(90.8)	8 1/2	(21.6)
426244	50	(22.7)	165	(75)	52 3/4	(128.9)	8 1/2	(21.6)
426246	75	(34.0)	200	(91)	57 3/4	(146.7)	9 1/4	(23.5)
426612	100	(45.4)	300	(136)	60 1/4	(153.0)	10 1/2	(26.7)
428421	120*	(54.4)	390	(177)	66 5/8	(169.2)	11	(27.9)
<b>Finish: Red Epoxy Paint</b>								
426243	35	(15.9)	121	(55)	35 3/4	(90.8)	8 1/2	(21.6)
426245	50	(22.7)	165	(75)	52 3/4	(133.9)	8 1/2	(21.6)
426247	75	(34.0)	200	(91)	57 3/4	(146.7)	9 1/4	(23.5)
426613	100	(45.4)	300	(136)	60 1/4	(153.0)	10 1/2	(26.7)
428422	120	(54.4)	390	(177)	66 5/8	(169.2)	11	(27.9)

\* NOTE: For Shanghai version, order Part No. 430939.



001416



001816

► NOTE: Use Flexible Discharge Bend, Part No. 427082, when attaching valve to supply pipe or manifold.

### CV-98 CO2 VALVE

The CV-98 valve has a ten (10) year warranty. The valve requires no internal maintenance. The valve is sealed closed and must never be disassembled. If there is ever a malfunction of the CV-98 valve, the complete valve must be sent back to Ansul for warranty replacement. If the external seal is broken, the warranty is voided.

ANSUL is a trademark of Ansul Incorporated or its affiliates.