



Check Valve

Description

Check valves are used in main/reserve systems and on systems protecting multiple hazards of different volumes using selector valves to control the direction of agent flow. On main/reserve systems the check valve prevents pressurization of the reserve system manifold by blocking the flow of carbon dioxide from the main system. The check valve allows gas flow from the reserve (if actuated) to pass through into the distribution piping. On selector valve systems, the check valve prevents the cylinders from the selected hazard from pressurizing the manifold of the

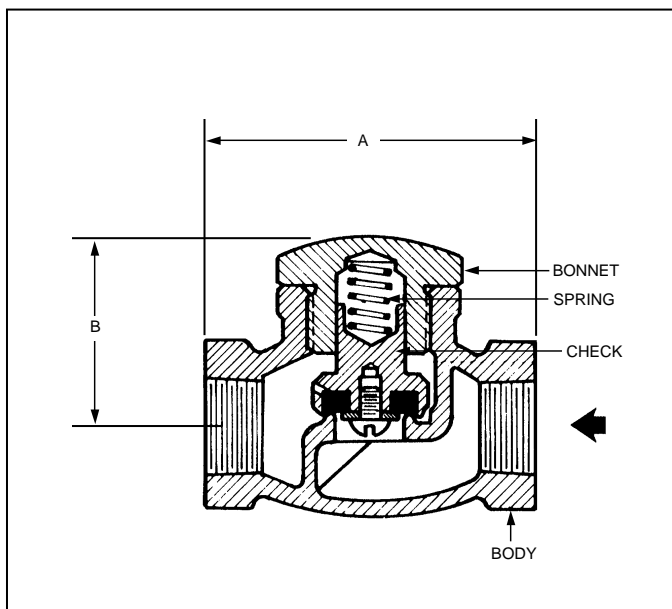
cylinders required for protecting a larger hazard. Only the cylinders needed for the particular hazard are activated.

The check valves are available in sizes from 1/2 in. through 3 in. Three body styles are available: threaded, weld neck flange, and threaded flange. The weld neck flange style valves are supplied with two (2) 600 lb. weld neck, flat faced, forged steel flanges, complete with bolts, nuts and gaskets.

Component	Material	Thread Size/Type	Body Type	Approvals
Check Valve	Bronze	1/2 in. NPT Female	Threaded	U.S. Coast Guard (162.038/7/0) UL (EX-2968) FM Approved
Check Valve	Bronze	3/4 in. NPT Female	Threaded	U.S. Coast Guard (162.038/7/0) UL (EX-2968) FM Approved
Check Valve	Bronze	1 in. NPT Female	Threaded	U.S. Coast Guard (162.038/7/0) UL (EX-2968) FM Approved
Check Valve	Bronze	1 1/4 in. NPT Female	Threaded	U.S. Coast Guard (162.038/7/0) UL (EX-2968) FM Approved
Check Valve	Bronze	1 1/2 in. NPT Female	Threaded	U.S. Coast Guard (162.038/7/0) UL (EX-2968) FM Approved
Check Valve	Bronze	2 in. NPT Female	Threaded	U.S. Coast Guard (162.038/7/0) UL (EX-2968) FM Approved
Check Valve	Bronze	2 1/2 in. NPT Female	Threaded	U.S. Coast Guard (162.038/7/0) UL (EX-2968) FM Approved

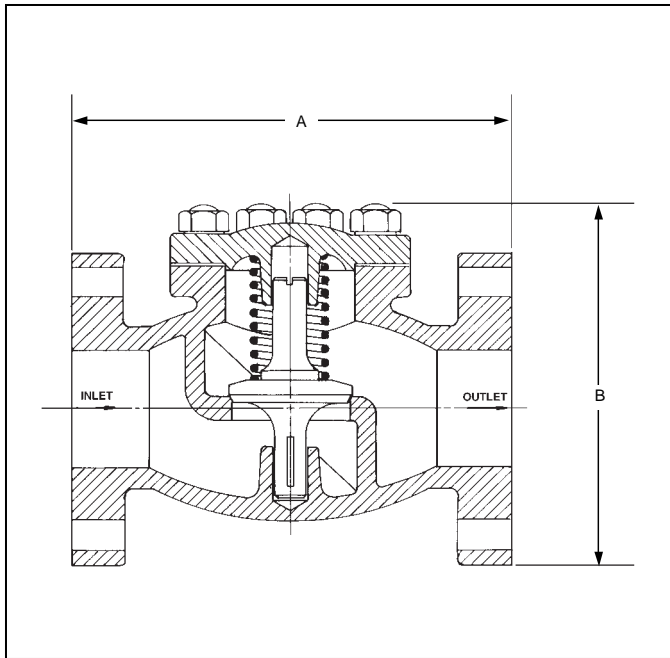
Component	Material	Thread Size/Type	Body Type	Approvals
Check Valve	Body: Bronze Flange: Steel	N/A	2 in. Weld Neck Flange	U.S. Coast Guard (162.038/7/0) UL (EX-2968) FM Approved
Check Valve	Body: Bronze Flange: Steel	N/A	2 1/2 in. Weld Neck Flange	U.S. Coast Guard (162.038/7/0) UL (EX-2968) FM Approved
Check Valve	Body: Bronze Flange: Steel	N/A	3 in. Weld Neck Flange	U.S. Coast Guard (162.038/7/0) UL (EX-2968) FM Approved
Check Valve	Body: Bronze Flange: Steel	3 in. NPT	Threaded Flange	U.S. Coast Guard (162.038/7/0) UL (EX-2968) FM Approved

Shipping Assembly Part No.	Description
40860	1/2 in. check valve – threaded
40852	3/4 in. check valve – threaded
41470	1 in. check valve – threaded
41549	1 1/4 in. check valve – threaded
41463	1 1/2 in. check valve – threaded
40649	2 in. check valve – threaded
40656	2 1/2 in. check valve – threaded
40794	2 in. check valve – weld neck flange
46095	2 1/2 in. check valve – weld neck flange
40672	3 in. check valve – weld neck flange
40665	3 in. check valve – threaded flange



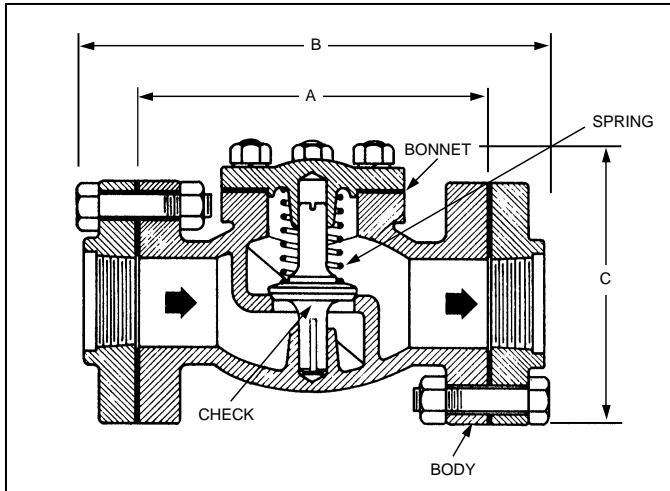
000679a

Check Valve - Threaded				
Valve Size	Dimension A		Dimension B	
	in.	(cm)	in.	(cm)
1/2 in.	3	(7.6)	2 5/8	(6.6)
3/4 in.	3 5/8	(9.2)	3 1/8	(7.9)
1 in.	4 1/8	(10.4)	3 3/4	(9.5)
1 1/4 in.	5	(12.7)	4 1/2	(11.4)
1 1/2 in.	5 1/2	(13.9)	5 1/8	(13)
2 in.	6 1/2	(16.5)	5 3/4	(14.6)
2 1/2 in.	8	(20.3)	6 3/4	(17.1)



000683

Check Valve - Flanged				
Valve Size	Dimension A		Dimension B	
	in.	(cm)	in.	(cm)
2 in.	10 1/4	(26)	7 1/2	(19)
2 1/2 in.	10 3/4	(27.3)	8 11/16	(22.1)
3 in.	11 1/2	(29.2)	9 1/2	(24.1)



001817

Check Valve - Threaded Flange						
Valve Size	Dimension A		Dimension B		Dimension C	
	in.	(cm)	in.	(cm)	in.	(cm)
3 in.	11 1/2	(29.2)	15	(38.1)	9 1/2	(24.1)