

CO₂ Component Description

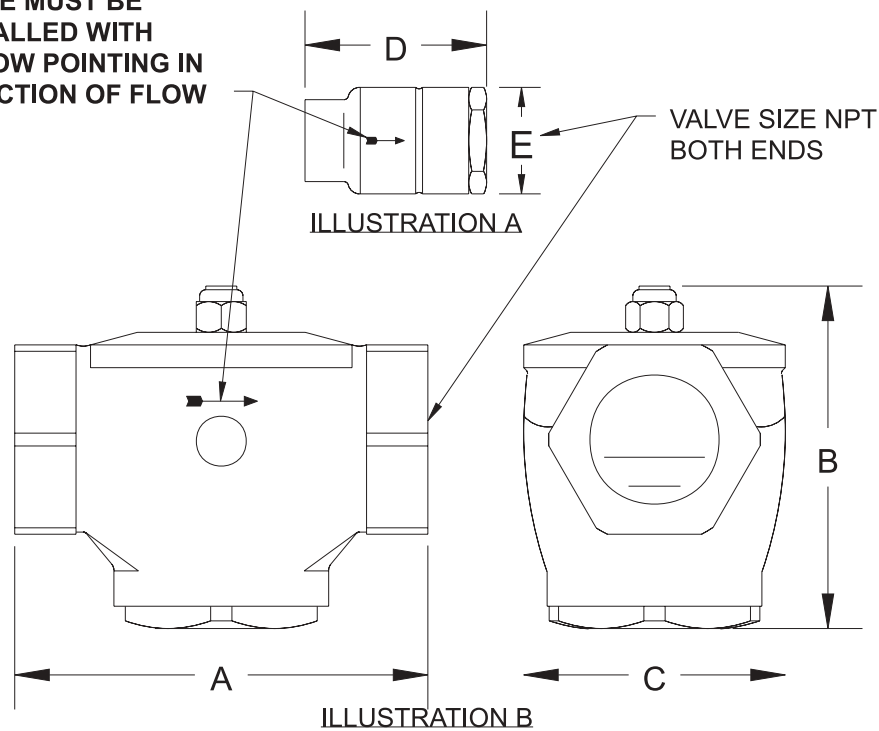
Check Valves 1/2" thru 2"

Effective: April 2002

K-81-5110

PART NUMBER	VALVE SIZE	ILLUSTRATION	A		B		C		D		E	
			IN	MM	IN	MM	IN	MM	IN	MM	IN	MM
81-800327-000	1/2"	A	-	-	-	-	-	-	3.34	85	2	51
81-800266-000	3/4"	A	-	-	-	-	-	-	3.34	85	2	51
WK-800443-000	1"	A	-	-	-	-	-	-	3.97	101	3.18	81
81-800444-000	1-1/4"	A	-	-	-	-	-	-	3.97	101	3.18	81
81-870152-000	1-1/2"	B	7.5	151	6.28	160	4.75	121	-	-	-	-
81-870151-000	2"	B	7.5	151	6.28	160	4.75	121	-	-	-	-

**VALVE MUST BE
INSTALLED WITH
ARROW POINTING IN
DIRECTION OF FLOW**



MATERIAL: BRASS

This literature is provided for informational purposes only. KIDDE-FENWAL, INC. assumes no responsibility for the product's suitability for a particular application. The product must be properly applied to work correctly. If you need more information on this product, or if you have a particular problem or question, contact KIDDE-FENWAL INC., Ashland, MA 01721. Telephone: (508) 881-2000

Kidde Fire Systems
400 Main Street
Ashland, MA 01721 USA
Tel: (508) 881-2000
Fax: (508) 881-8920
<http://www.kiddefiresystems.com>