

CITY TIE DISCONNECT SWITCH

DESCRIPTION

The City Tie Disconnect switch enables the operator to disconnect the Municipal Fire Alarm Box from the host fire alarm control panel when necessary for system testing. When activated, a Trouble condition will be reported at the host control panel. Alarms will not be transmitted to the connected receiving station while the disconnect switch is activated.

There are three switch options available to suit specific project needs as described below. All three switch options consist of a disconnect switch operated by a two-pole key-operated switch, and a white incandescent lamp that indicates when the city tie has been disconnected. Once the switch has been activated by turning the key, the key cannot be removed from the lock until the city tie disconnect switch is returned to the connect position.

Note: Only one city tie disconnect switch may be installed in the system.

SWITCH OPTIONS

External Mount City Tie Disconnect Switch - P/N 10-2719

This switch is designed to be installed external and directly adjacent to the host fire alarm control panel. The switch comes with a polished steel faceplate, suitable for mounting to a 4" (10.16 cm) square double-gang box. This option requires installation of a mini-monitor module (P/N 55-045) or 4" square monitor module (P/N 55-041) and relay module (P/N 55-043), both sold separately.

Panel Mount City Tie Disconnect Switch - P/N 10-2718-R or 10-2718-B

This switch is designed to be mounted to the deadfront door of a CyberCat 254 or 1016 control panel. The faceplate design allows it to be mounted to any of the deadfront door's available card slots and can be ordered with red or black finish to match the panel color. This option requires installation of a mini-monitor module (P/N 55-045) and relay module (P/N 55-043), both sold separately.

Remote Mount City Tie Disconnect Switch - P/N 10-2720

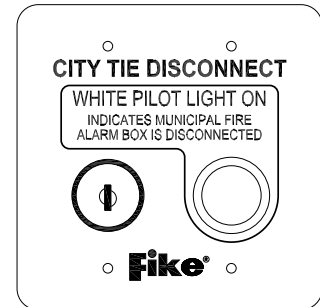
This switch is designed to be installed remotely near Fike's Masterbox Supervisor module. The switch comes with a polished steel faceplate, suitable for mounting to a 4" (10.16 cm) square double-gang box.

SPECIFICATIONS

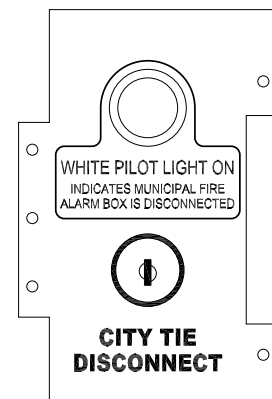
Input Voltage:	15-30 VDC
Contact Ratings:	8A @ 24 VDC Resistive 4A @ 24 VDC Inductive
Current Consumption:	0mA standby 49 mA (Lamp Active)
Circuit Limitations:	Class B only
Dimensions (LxWxD):	4.5" x 4.5" x 1.875" (11.5cm x 11.5cm x 4.8cm)
Weight:	0.50 lb. (0.23 kg)
Operating Temp:	32°F to 120°F (0°C to 49°C)
Operating Humidity:	93% RH
Mounting:	Two-gang masonry box (Raco 691 or equal), external and remote mount

APPROVALS

- UL - S3217
- FM - pending



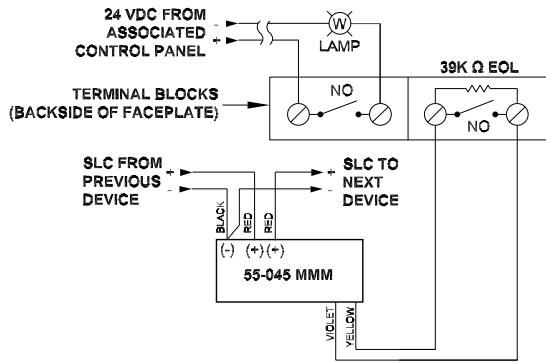
City Tie Disconnect
(External and Remote Mount)



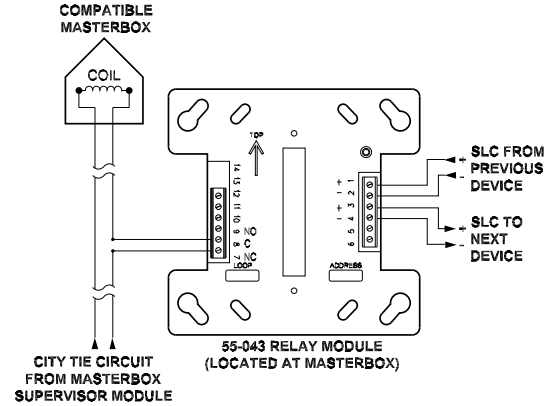
City Tie Disconnect
(External and Remote Mount)

Form No. P.1.123.01

WIRING DIAGRAM

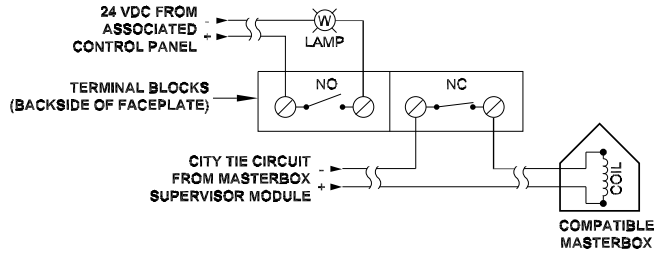


External (P/N 10-2719) and
Panel (P/N 10-2718-X) Mount



Relay Wiring Diagram

Note: Relay only used on external and panel switch options



Remote Mount (P/N 10-2720)

ORDERING INFORMATION

Fike P/N	Description
10-2719	City Tie Disconnect Switch (External Mount)
10-2720	City Tie Disconnect Switch (Remote Mount)
10-2718-R	City Tie Disconnect Switch Red (Panel Mount)
10-2718-B	City Tie Disconnect Switch Black (Panel Mount)
55-045	Mini Monitor Module
55-050	Mini Monitor Module with Built-In Isolators
55-041	4" Square Monitor Module
55-046	4" Square Monitor Module with Built-In Isolators
55-043	Relay Module
55-048	Relay Module with Built-in Isolators

