

CO₂ Component Description

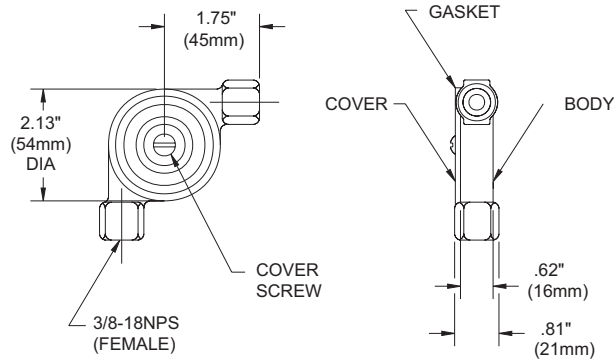
Corner Pulleys

Effective: September 2004

K-81-6080

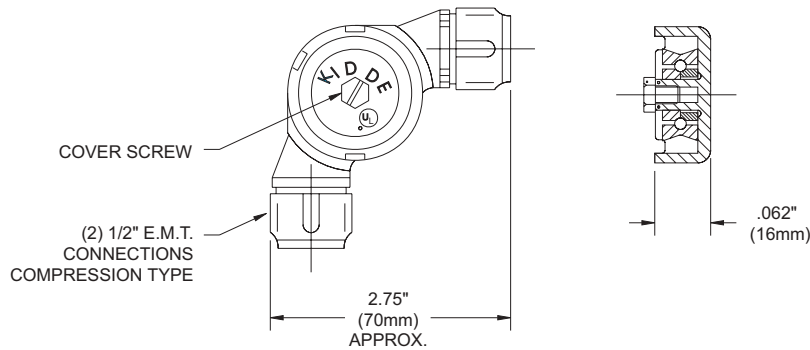
P/N: 803808:

WATERTIGHT CORNER PULLEY



P/N: 844648:

1/2" E.M.T. CORNER PULLEY



MATERIALS

COVER & BODY: BRASS

GASKET: RUBBER

This literature is provided for informational purposes only. KIDDE-FENWAL, INC. assumes no responsibility for the product's suitability for a particular application. The product must be properly applied to work correctly. If you need more information on this product, or if you have a particular problem or question, contact KIDDE-FENWAL INC., Ashland, MA 01721. Telephone: (508) 881-2000