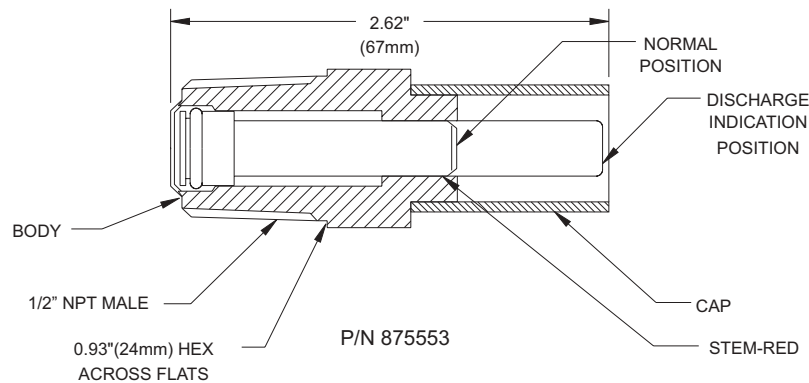
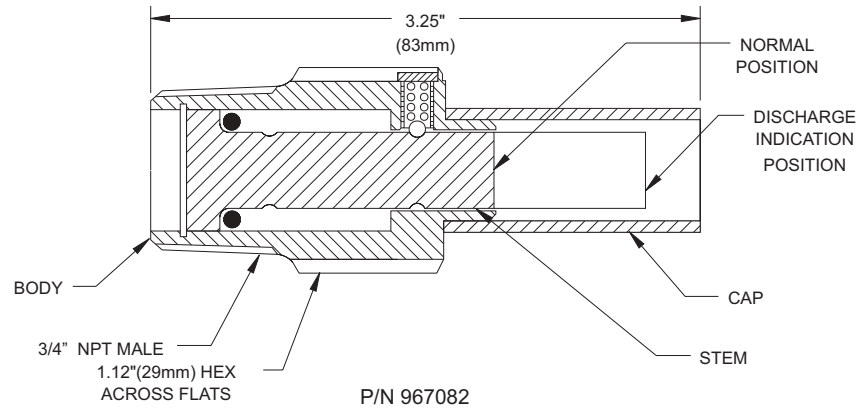


# CO<sub>2</sub> Component Description

## Discharge Indicators

Effective: April 2002

K-81-5160



### MATERIALS

**BODY-967082: BRASS**

**BODY-875553: ALUMINUM**

**CAPS: CLEAR CELLULOSE ACETATE**

This literature is provided for informational purposes only. KIDDE-FENWAL, INC. assumes no responsibility for the product's suitability for a particular application. The product must be properly applied to work correctly. If you need more information on this product, or if you have a particular problem or question, contact KIDDE-FENWAL INC., Ashland, MA 01721. Telephone: (508) 881-2000