



### Discharge Nozzle – 4 in. Multi-Discharge Type

#### Description

The 4 in. multi-discharge nozzle is used only for total flooding applications. The nozzle insert is brass and the remainder of the nozzle is steel. The nozzle is available in orifice sizes ranging from 2 through 18. The discharge rate of the

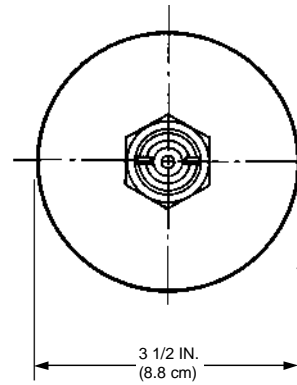
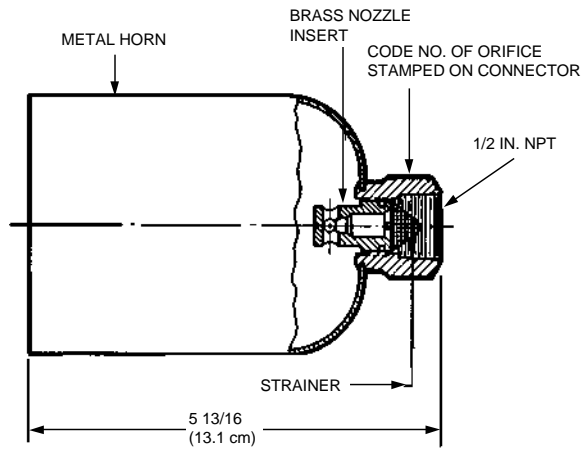
nozzle depends on the orifice size and the nozzle pressure. The nozzle is painted red with chrome or nickel plating available as an option.

Component	Material	Thread Size/Type	Orifice Size	Approvals
4 in. MD Nozzle w/Strainer	Nozzle: Steel Insert: Brass	1/2 in. NPT Female	2 through 4.5	U.S. Coast Guard (162.038/7/0) UL (EX-2968) FM Approved
4 in. MD Nozzle	Nozzle: Steel Insert: Brass	1/2 in. NPT Female	5 through 10	U.S. Coast Guard (162.038/7/0) UL (EX-2968) FM Approved
4 in. MDL Nozzle	Nozzle: Steel Insert: Brass	3/4 in. NPT Female	8 through 18	U.S. Coast Guard (162.038/7/0) UL (EX-2968) FM Approved

Shipping Assembly Part No.	Description	Orifice Code
426106	4 in MD nozzle with strainer	2 – 4.5
426107	4 in MD nozzle	5 – 10
426108	4 in MD nozzle	8 – 18

**NOTE:** When ordering, specify orifice code required: Example – Part No. 426107 – 6.5.

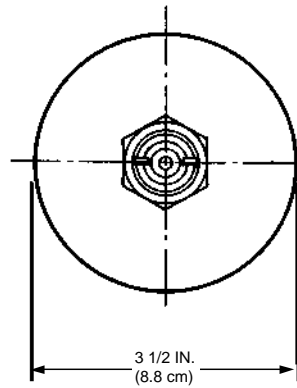
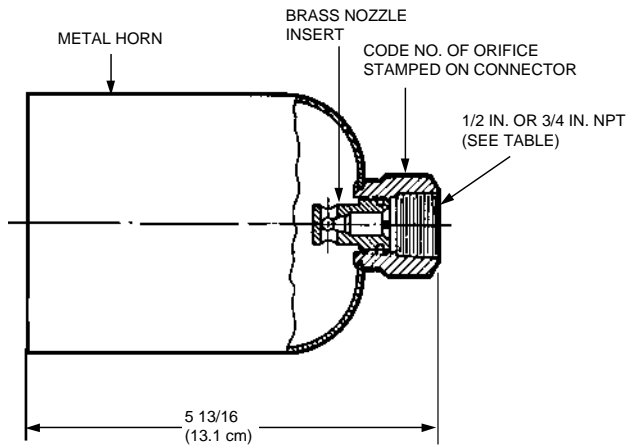
**Multi-Discharge Nozzle – 4 MD with Strainer**



001831a

001831b

**Multi-Discharge Nozzle – 4 MD and 4 MDL**



001835a

001835b

ANSUL is a registered trademark.