



Discharge Nozzle – Baffle Type

Description

The baffle type nozzle is used in total flood applications only. Placed around the outside edge or placed near the ceiling approximately 15 to 20 ft. (4.6 to 6.1 m) on centers in a room or any enclosed space, each nozzle provides a 180° fan spray of CO₂, spreading the extinguishing gas quickly and efficiently throughout the protected

space. Discharge rate depends upon nozzle pressure and orifice size. Baffle type nozzles are available in orifice sizes 1 through 16.

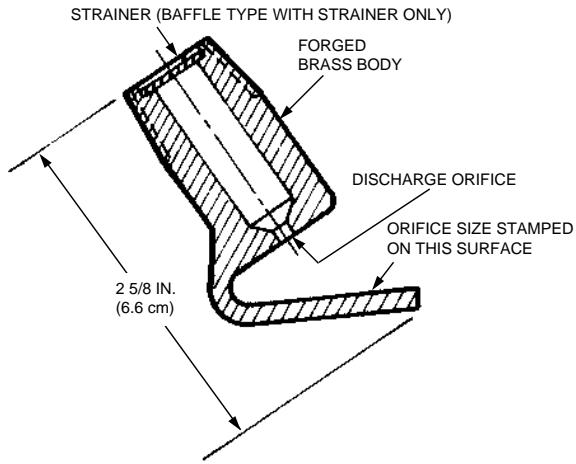
This nozzle is supplied in natural brass with chrome or nickel plating available as an option.

Component	Material	Thread Size/Type	Orifice Size	Approvals
Baffle Type with Strainer	Nozzle: Brass Strainer Monel	1/2 in. NPT Male	1 through 3	U.S. Coast Guard (162.038/7/0) UL (EX-2968) FM Approved
▶ Baffle Type	Brass	1/2 in. NPT Male	3.5 through 14	U.S. Coast Guard (162.038/7/0) UL (EX-2968) FM Approved
Baffle Type BL	Brass	3/4 in. NPT Male	9 through 16	U.S. Coast Guard (162.038/7/0) UL (EX-2968) FM Approved

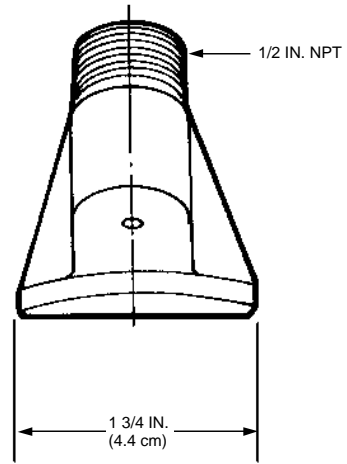
Shipping Assembly Part No.	Description	Orifice Code
▶ 426119	Baffle type with strainer nozzle	1 – 3
426120	Baffle type nozzle	3.5 – 14
426121	Baffle type BL nozzle	9 – 16

▶ **NOTE:** When ordering, specify orifice code required: Example – Part No. 426121 – 10.5.

Baffle Type Nozzle With or Without Strainer

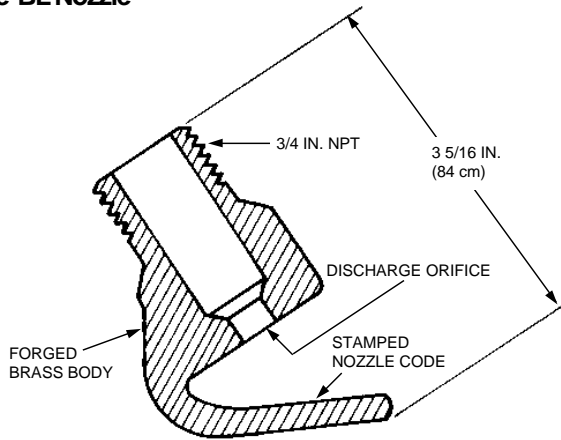


000662a

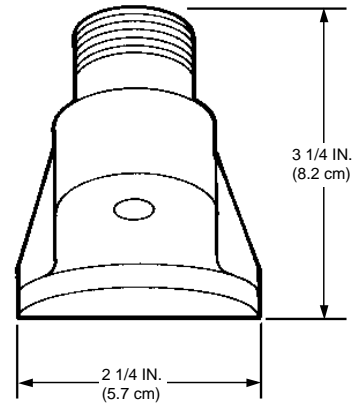


000662b

Baffle Type BL Nozzle



000664a



000664b

ANSUL is a registered trademark.