



Discharge Nozzle – Type “D”

Description

The type “D” nozzle is used primarily for local application and is also listed and approved for use as a total flooding nozzle. The nozzle shell is drawn sheet steel and the insert is brass. The “D” type nozzle is available in orifice sizes ranging from 1 through 7. The discharge rate of the nozzle depends on the orifice size and nozzle pressure. The area covered in local application is dependent upon

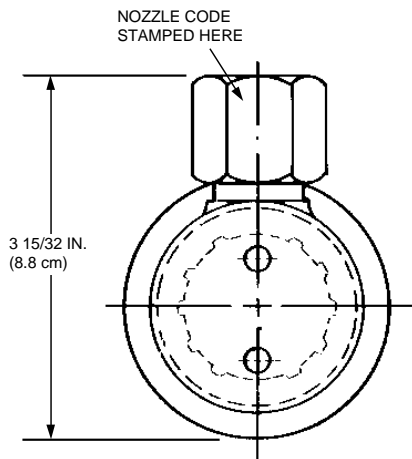
the discharge rate and the height of the nozzle above the surface being protected. Height range: 15 to 91 1/2 in. (38 to 232 cm). Discharge rate: 11 to 48.5 lbs. per minute (5 to 22 kg per minute). See carbon dioxide design manual for UL and FM listed area coverage and required flow rates. The nozzle is painted red with chrome or nickel plating available as an option.

Component	Material	Thread Size/Type	Orifice Size	Approvals
Type “D” nozzle	Shell: Steel Insert: Brass Strainer: Monel	1/2 in. NPT Female	1 through 7	U.S. Coast Guard (162.038/7/0) UL (EX-2968) FM Approved

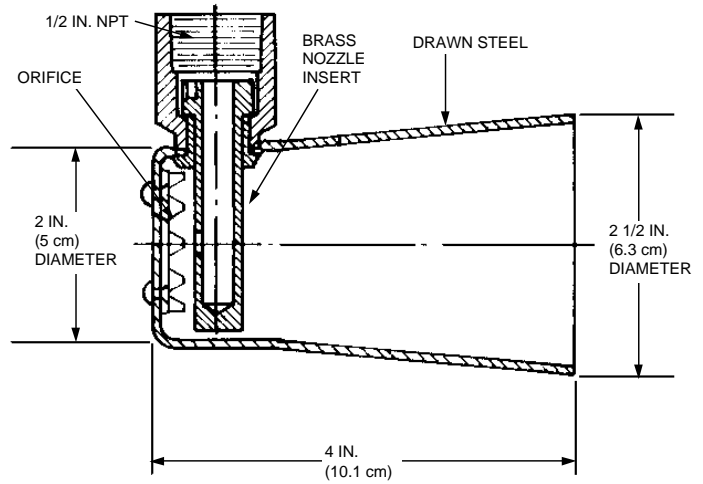
Shipping Assembly Part No.	Description	Orifice Code
426100	Type “D” nozzle with strainer	1 – 3
426101	Type “D” nozzle	3.5 – 7
426301	Type “D” nozzle, Chrome Plated	3.5 – 7

NOTE: When ordering, specify orifice code required: Example – Part No. 426100 – 2.5.

Carbon Dioxide Type "D" Discharge Nozzle

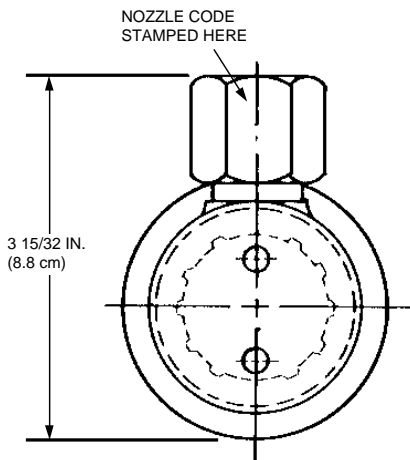


000672a

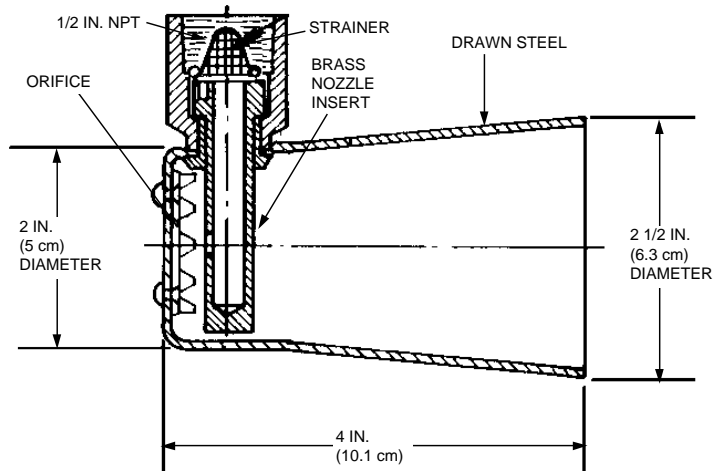


000672b

Carbon Dioxide Type "D" Discharge Nozzle with Strainer



000671a



000671b

ANSUL is a registered trademark.