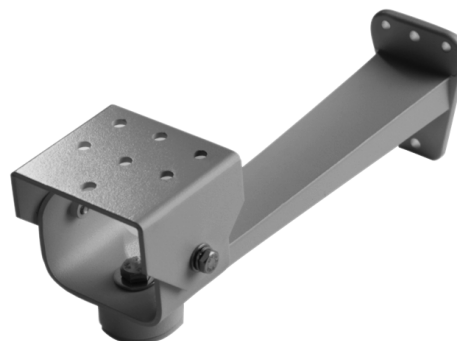


EM1450 Mount

WALL MOUNT, LIGHT DUTY, ENCLOSURE

Product Features

- Light Duty Wall Mount
- Maximum Load 20 lb (9 kg)
- For Use with EH3500 Series Enclosures
- Adjustable Head for Mechanical Positioning of the Enclosure
- Can Be Adapted for Pole Mount Applications with Use of PA101 Adapter

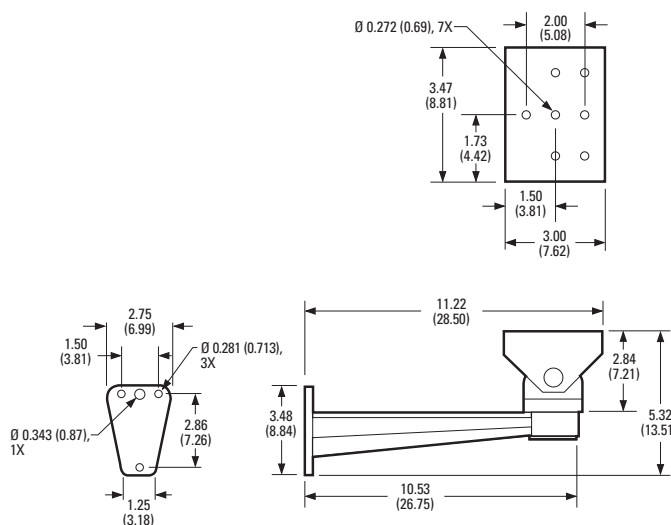


The **EM1450** is a light duty wall mount designed specifically for use with Pelco's EH3500 Series enclosures.

Manufactured from die-cast aluminum, the **EM1450** is capable of supporting a maximum load of 20 lb (9 kg) and can be safely mounted to any vertical load-bearing surface.

The **EM1450** features a small adjustable mounting head that is unobtrusive and provides ample clearance between the cable feedthrough glands and the mounting head.

The **EM1450** can also be adapted for pole mount applications when used with our PA101 adapter.



NOTE: VALUES IN PARENTHESES ARE CENTIMETERS;
ALL OTHERS ARE INCHES.



TECHNICAL SPECIFICATIONS

MODEL

EM1450

Light duty wall mount for use with EH3500 series enclosures

RELATED PRODUCT

PA101

Pole mount adapter for EM1450 mount. Stainless steel straps supplied. Straps fit 3-inch (7.62 cm) to 8-inch (20.32 cm) diameter pole.

MECHANICAL

Pan Adjustment
Tilt Adjustment

360°
±75°

GENERAL

Suggested
Mounting Method

Secure to wall with three 1/4-inch diameter fasteners (not supplied), or use one 5/16-inch diameter and one 1/4-inch diameter fastener for center mount holes in applications where wall studs are encountered

Enclosure Mounting

Two 1/4-20 x 0.500 hex head machine screws (supplied)

Maximum Load

20 lb (9 kg)

Construction

Die-cast aluminum

Finish

Gray polyester powder coat

Environment

Indoor/outdoor

Unit Weight

EM1450

2 lb (0.90 kg)

PA101

0.88 lb (0.40 kg)

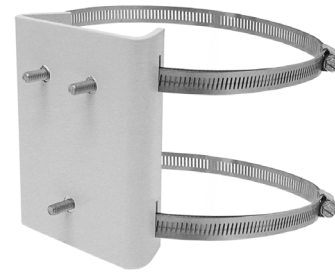
Shipping Weight

EM1450

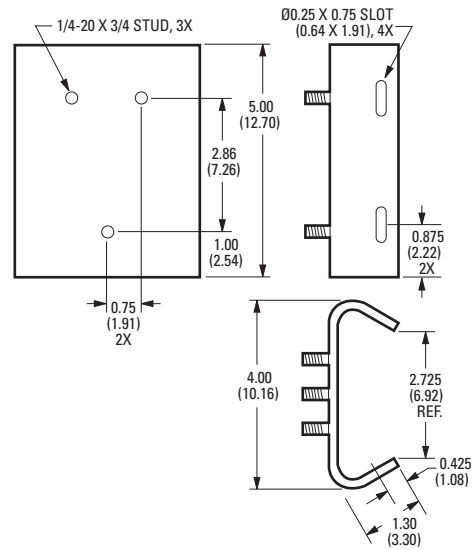
3 lb (1.36 kg)

PA101

2 lb (0.90 kg)



PA101 POLE ADAPTER



NOTE: VALUES IN PARENTHESES ARE CENTIMETERS; ALL OTHERS ARE INCHES.



Pelco, Inc. Worldwide Headquarters:

3500 Pelco Way, Clovis, California 93612-5699 USA

USA & Canada Tel: (800) 289-9100 • FAX: (800) 289-9150

International Tel: +1 (559) 292-1981 • FAX: +1 (559) 348-1120

www.pelco.com

Pelco and the Pelco logo are registered trademarks of Pelco, Inc. Product specifications and availability subject to change without notice. ©Copyright 2008, Pelco, Inc. All rights reserved.