

Escutcheon Plates, 3-inch and 5-inch

P/N: 06-23613X-001

FENWAL®

F-93-109

FEATURES

- Available in Two Sizes
- Bendable tabs adapt to fit ceiling tile
- Easily Installed
- Aesthetically Pleasing
- Can be Primed or Painted Any Color to Match Ceiling Color

DESCRIPTION

Fenwal Phoenix Escutcheon Plates are available for applications where esthetics are a concern. The plates are available in a 3-inch size for use with 1/2- and 3/4-inch nozzles, and in a 5-inch size for use with 1-inch to 2 inch nozzles. Bendable side tabs allow the plates to adapt to fit ceiling tiles from 1/2- to 3/4-inch thick. The plates are easy to install and can take a paint finish to match the surrounding ceiling color for an unobtrusive installation.

INSTALLATION

Once the nozzle location has been determined, cut a hole in the ceiling tile based on the referenced inner diameter shown in the ordering information table. Once the hole has been cut, bend up the tabs and position escutcheon plate in place. Bend the tips of the tabs so that the tabs catch the tile and are not able to be pulled through (see Figure 1).

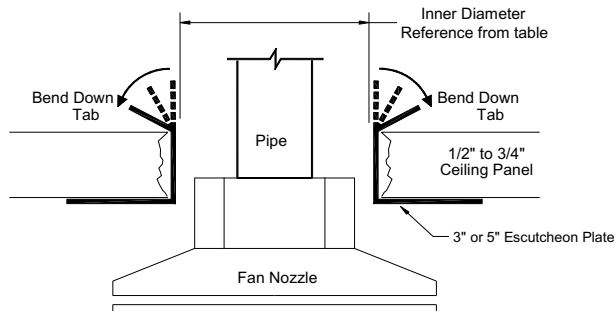
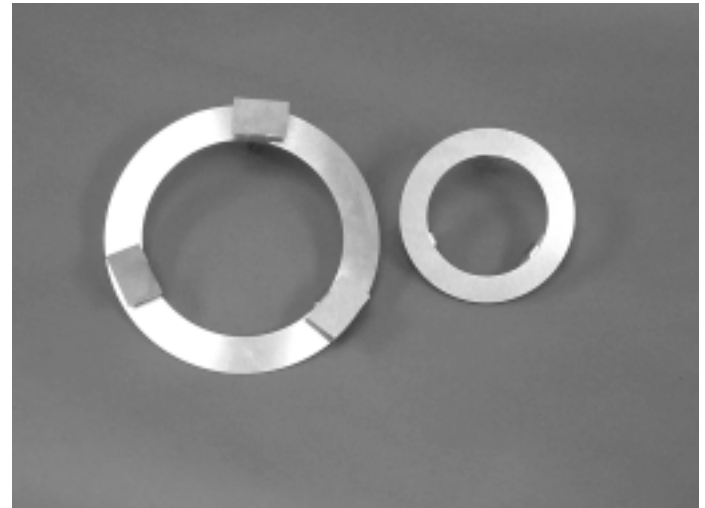


Figure 1. Installation of Escutcheon Plate



SPECIFICATIONS

MATERIALS

Body: Stainless Steel

Finish: 150 grain finish

Approximate Weight:

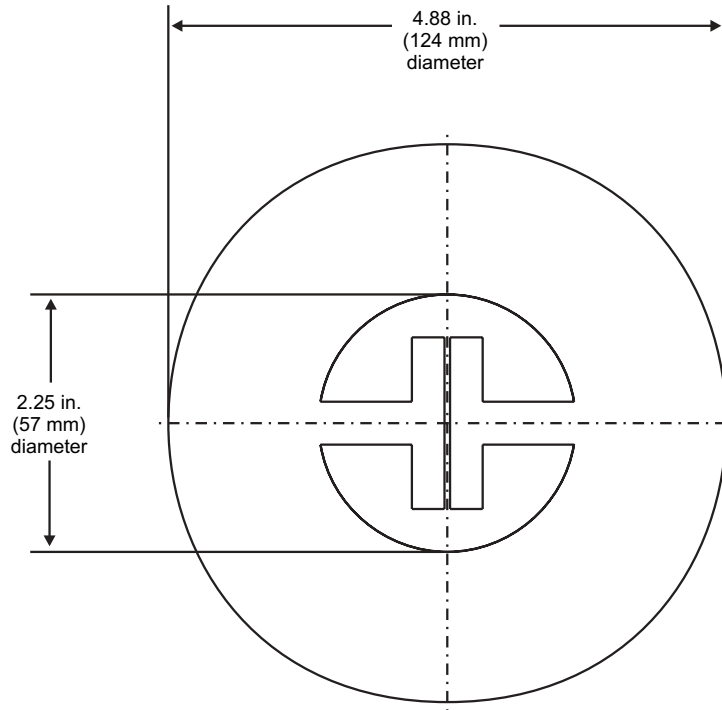
3-inch– 0.1 lb. (45 g)

5-inch– 0.2 lb. (91 g)

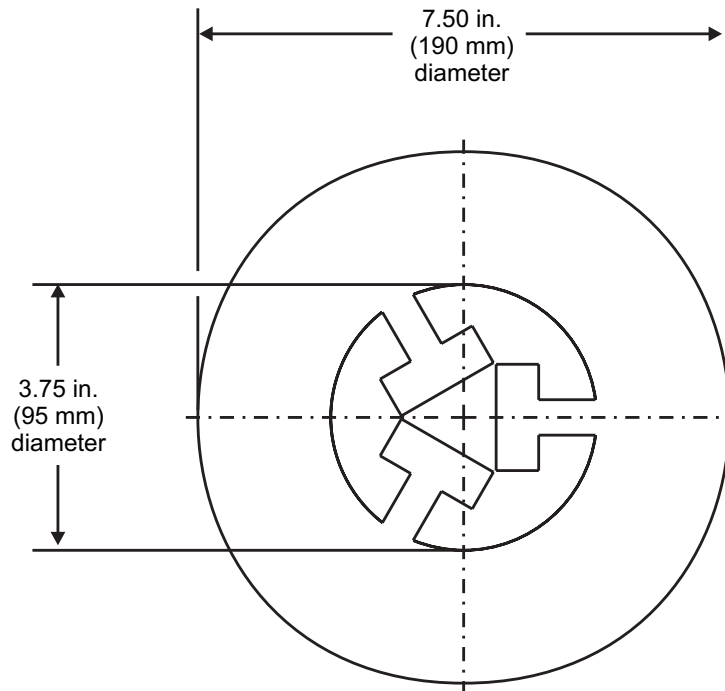
ORDERING INFORMATION

Description	Part Number	Dim A (Outer Dia.)	Dim B (Inner Dia.)
3" Escutcheon	06-236133-001	4.88 in.	2.25 in.
5" Escutcheon	06-236134-001	7.50 in.	3.75 in.

DIMENSIONS



Dimensions 3 Inch Plate



Dimensions 5 Inch Plate



FENWAL[®]
Protection Systems

KIDDE-FENWAL, INC.
400 MAIN STREET, ASHLAND, MA 01721
TEL: (508)881-2000 FAX: (508) 881-8920
www.fenwalfire.com

These instructions do not purport to cover all the details or variations in the equipment described, nor do they provide for every possible contingency to be met in connection with installation, operation and maintenance. All specifications subject to change without notice. Should further information be desired or should particular problems arise which are not covered sufficiently for the purchaser's purposes, the matter should be referred to KIDDE-FENWAL, INC., Ashland, MA 01721.