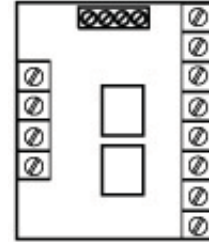


EVAC SYSTEM ACCESSORIES

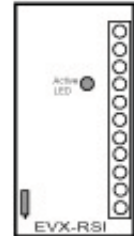
FEATURES

Remote Serial Interface

- Allows use of any N.O. contact to control voice messaging system
- Connects to Fike 25/50/100 via plug-in connector.
- Needs no external power supply.
- Controls message, tones and sequence of operation.
- Allows integration of voice messaging system with ancillary equipment
- Automatic addressing, no DIP switches to set.
- Terminal Block provided for connection of field wires.



24-085
Backup Amplifier
Switching Card



24-083
Remote Serial
Interface

The Part Number 24-083 is designed to facilitate access to the RS-232 input capabilities of the Fike 25/50/100 Series. Simple contact closures, provided by an auxiliary control, can select one of many custom messages and/or tones available in the voice messaging system.

This additional control interface will allow the Fike 25/50/100 to operate as a multi-message, complex sequence voice messaging system. Multiple messages and alternate tones can be easily accessed, and special operational sequences can be controlled through the 24-083.

The 24-083 mounts in the voice messaging system backbox, and connects to the Fike 25/50/100 using a simple plug-in connector. Each 24-083 has 8 inputs for the connection of auxiliary normally-open contacts. Multiple 24-083 units may be connected to provide up to 64 separate control points*.

*Number of messages, sequence of operations and number of control points are all affected by the size of the program required. Always consult with the factory with your specific needs.

Note: The Part Number 24-083 (Remote Serial Interface) is not UL Listed for Fire Alarm applications. This product must only be used for non-Fire Alarm Non Life Safety (Industrial Signaling) applications.

OPERATION

Customer provided normally open contacts will cause an individual message or tone to sound.

Message/tones are prioritized by position. Contact 1 on the first 24-083 will have highest priority. Contact 8 on the last 24-083 will be the lowest priority. As long as the contact remains closed, the associated message will sound. If a higher priority message is selected while another is playing, the first will finish its cycle and then the second message will sound.

Momentary contacts will generate a single cycle of the selected message/tone.

An "Active" LED is provided on the 24-083 which will illuminate whenever any of the associated switches close.

Up to 8 24-083 modules may be connected to a Fike 25, Fike 50 or Fike 100 Series module.

ORDERING INFORMATION

Description	Model Number
Remote Serial Interface	24-083
Controls up to 64 Messages via serial data interface with host equipment panel	
Backup Amplifier Switching Card	24-085
Monitors the primary amp and switches to standby amp upon failure	

Form No. P.1.06.01

FEATURES

Backup Amplifier Switching Card

- Automatically monitors primary amplifier and switches to backup amplifier upon failure.
- Supervised through FACP
- One amplifier may backup several primary amplifiers
- Allows for fully redundant voice evacuation systems.

The 24-085 allows the system designer to incorporate backup audio amplifiers in their design. The 24-085 continually monitors the primary amplifier, and in the unlikely event that an amplifier failure occurs, senses that failure, and automatically connects a backup amplifier into service.

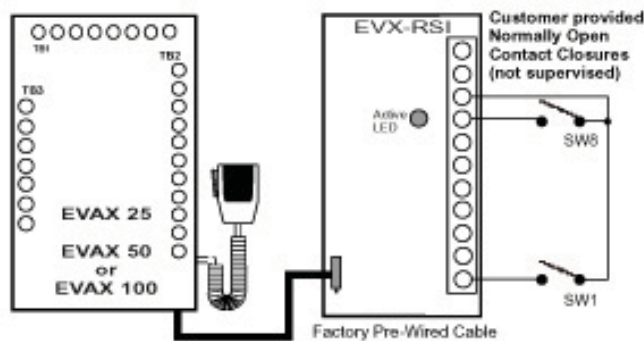
The 24-085 can be applied to provide one backup amplifier for each primary amplifier, or to provide one backup amplifier to serve as backup for any number of primary amplifiers.

When a fully redundant voice evacuation system is required, the backup amplifier will be configured to include its own microphone and digital message repeater.

TECHNICAL CHARACTERISTICS

Model	Input Voltage	Standby	Active
24-085	24 VDC	0.03 A	0.005 A
24-083	24 VDC	0.005 A	0.01 A

TYPICAL APPLICATION OF THE 24-083



NOTE: The Model number EVX-RSI (Remote Serial Interface) is not UL Listed for Fire Alarm applications. This product can only be used for non-Fire Alarm Non Life Safety (Industrial Signaling) applications.

TYPICAL APPLICATION OF THE 24-085

