

## FDM-1 Addressable Dual Monitor Module

### Features

- Built-in type identification automatically identifies this device as a monitor module to the AUTOPULSE control unit
- Powered directly by two-wire SLC loop, no additional power required
- High noise (EMF/RFI) immunity
- SEMS screws with clamping plates for ease of wiring
- Direct-dial entry of address (01-159)\*
- LED flashes green during normal operation (this is a programmable option), and latches on steady RED to indicate alarm
- FlashScan® communication protocol
- ▶ • Compatible with IQ-301, IQ-396X, and IQ-636X

### Applications

Use the FDM-1 module to monitor two zones of four-wire smoke detectors, manual fire alarm pull stations, waterflow devices, or other normally-open dry-contact alarm activation devices. May also be used to monitor normally-open supervisory devices with special supervisory indication at the control unit. Monitored circuit may be wired as an NFPA Style B only. A 47K ohm End-of-Line Resistor (provided) terminates the Style B circuit. The FDM-1 does not support Style D (Class A) initiating device circuits. Maximum IDC loop resistance is 1500 ohms.

### Description

The FDM-1 is a standard-sized dual monitor module used to monitor and supervise two independent two-wire initiating device circuits (IDCs) at two separate, consecutive addresses in intelligent, two-wire systems.

Each FDM-1 uses two consecutive addresses of the 159\* available module addresses on an SLC loop. It responds to regular polls from the control unit and reports its type and the status (open/normal/short) of its IDC. A green flashing LED indicates that the module is in communication with the control unit. The LED latches on steady red to indicate alarm (subject to current limitations on the loop).

- ▶ FlashScan (U.S. Patent 5,539,389) is a communication protocol that greatly enhances the speed of communication between analog intelligent devices. Intelligent devices communicate in a grouped fashion. If one of the devices within the group has new information, the unit's CPU stops the group poll and concentrates on single points. The net effect is response speed **greater than five times** that of earlier designs.

The FDM-1 automatically assigns itself to two addressable points, starting with the original address. For example, if the FDM-1 is set to address "56," then it will automatically assign itself to addresses "56" and "57." **NOTE:** "ones" addresses on the FDM-1 are 0, 2, 4, 6, or 8 only. Terminals 6 and 7 use the first address, and terminals 8 and 9 use the second address.

### CAUTION

Avoid duplicating addresses on the system.

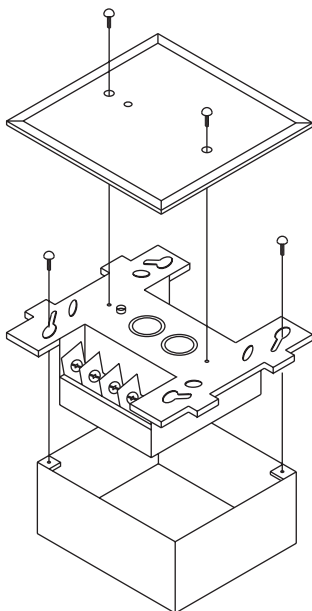
### Technical Information

Nominal Operating Voltage:	15 to 32 VDC
Maximum Current Draw:	5.7 mA (LED on)
Maximum IDC Resistance:	1500 ohms
Average Operating Current:	750 $\mu$ A (LED flashing)
EOL Resistance:	47K ohms
Temperature Range:	32 °F to 120 °F ( 0 °C to 49 °C)
Humidity Range:	10% to 93% non-condensing
Dimensions:	
Height:	4.5 in. (114 mm)
Width:	4 in. (102 mm)
Depth:	2.125 in. (54 mm)

### Installation

The FDM-1 module mounts directly to a standard 4 in. square, 2.124 in. (54 mm) deep, electrical box. Mounting hardware and installation instructions are provided with each module. All wiring must conform to applicable local codes, ordinances, and regulations. These modules are intended for power-limited wiring only.

**MOUNTING THE FDM-1 TO A 4 INCH SQUARE  
2 1/8 INCH DEEP JUNCTION BOX**



**Wiring**

- Connect modules to listed compatible AUTOPULSE control units only.
- All wiring shown is supervised and power limited.
- Install contact closure devices per manufacturers' installation instructions.
- Any number of UL-listed contact closure devices may be used.
- **DO NOT MIX** fire alarm initiating, supervisory, or security devices on the same circuit.

**Listings and Approvals\***

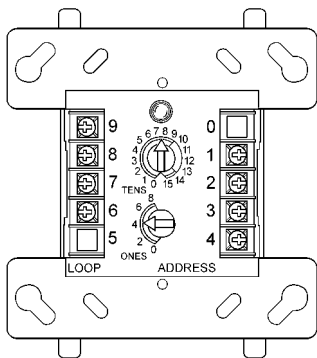
- UL..... S635
  - ULC..... CS669
  - Factory Mutual (FM)..... Approved
  - California State Fire Marshal (CSFM)..... 7300-0028:202
  - ▶ MEA (NYC)..... 143-01-E
- ▶ \* Listings and Approvals are under NOTIFIER.

**Ordering Information**

Part No.	Description	Shipping Weight	
		lb.	(kg)
432294	FDM-1 Monitor Module	1	(0.45)

FlashScan is a registered trademark of Honeywell International.

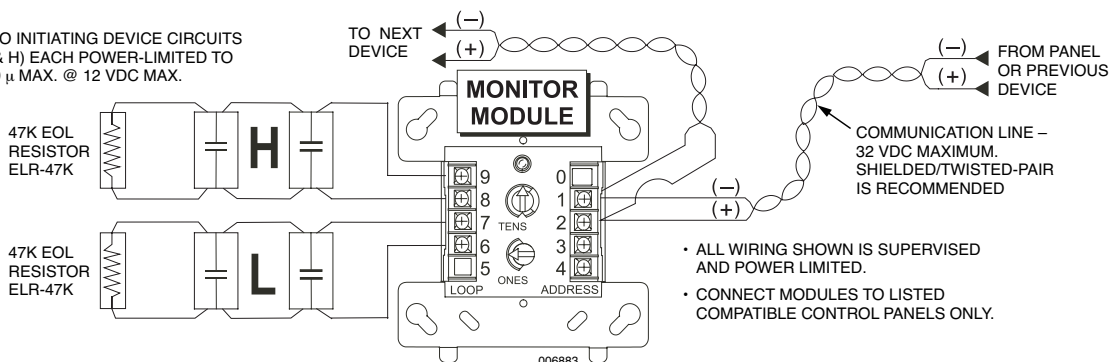
**DETAIL OF FDM-1 – NOTE “ONES” ADDRESSES  
ARE 0, 2, 4, 6, 8 ONLY**



006882

**TYPICAL DUAL TWO-WIRE STYLE B INITIATING DEVICE CIRCUIT CONFIGURATION**

TWO INITIATING DEVICE CIRCUITS (L & H) EACH POWER-LIMITED TO 230  $\mu$  MAX. @ 12 VDC MAX.



- ALL WIRING SHOWN IS SUPERVISED AND POWER LIMITED.
- CONNECT MODULES TO LISTED COMPATIBLE CONTROL PANELS ONLY.

006883

ANSUL and AUTOPULSE are trademarks of Ansul Incorporated or its affiliates.