

# Fenwal Engineered Fire Suppression System

Effective March 2005

F-44-2131

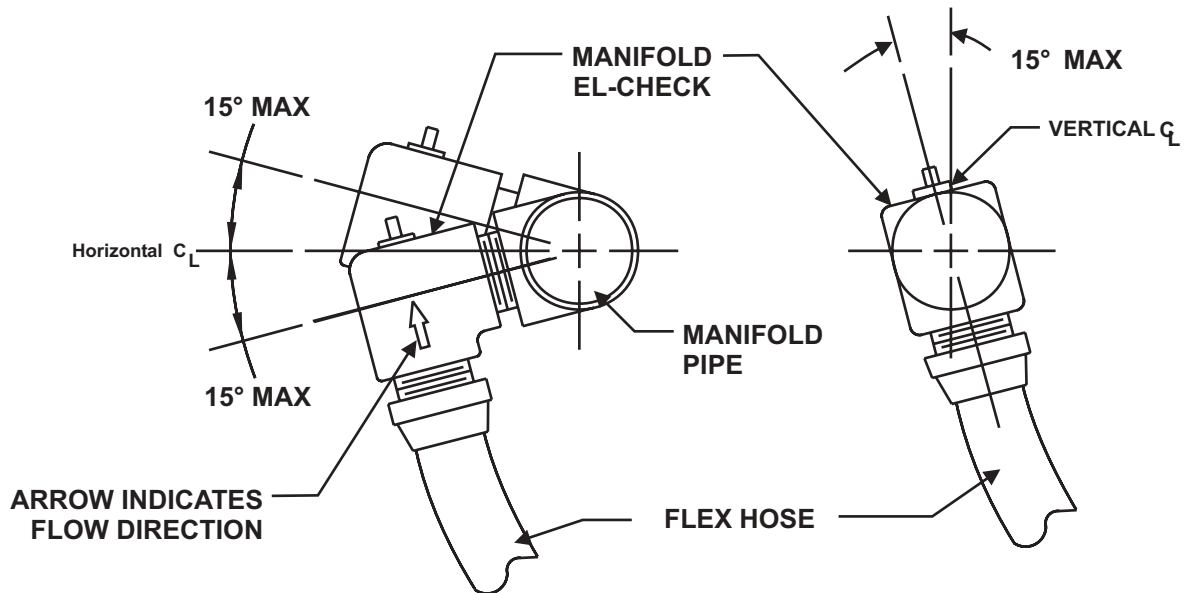
Designed for use with 3M™ Novec™ 1230 Fire Protection Fluid

## Typical Installation of EI-Check Installation Detail

# FENWAL®

### FEATURES

- For use with UL Listed, ULC Listed FM Approvals Systems



**Notes:** Install EI-Checks so that the arrow is in the direction as indicated.

The EI-Check may be adjusted, as shown, to obtain a smooth radius for a Flexible Discharge Hose.

Fenwal is a registered trademark of Kidde-Fenwal, Inc.  
3M and Novec are trademarks of 3M.  
All other trademarks are property of their respective owners.



## FENWAL®

**Protection Systems**

KIDDE-FENWAL, INC.  
400 MAIN STREET, ASHLAND, MA 01721  
TEL: (508)881-2000 FAX: (508) 881-8920  
www.fenwalfire.com

This literature is provided for informational purposes only. KIDDE-FENWAL, INC. assumes no responsibility for the product's suitability for a particular application. The product must be properly applied to perform as described herein.  
If you need more information on this product, or if you have a question, contact KIDDE-FENWAL, INC., Ashland, MA 01721; Telephone (508) 881-2000

F-44-2131

©2005 Kidde-Fenwal, Inc. Printed in U.S.A.