

# CO<sub>2</sub> Component Description



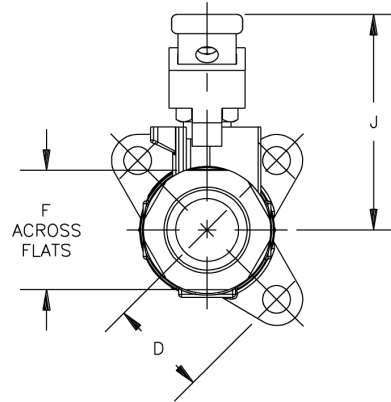
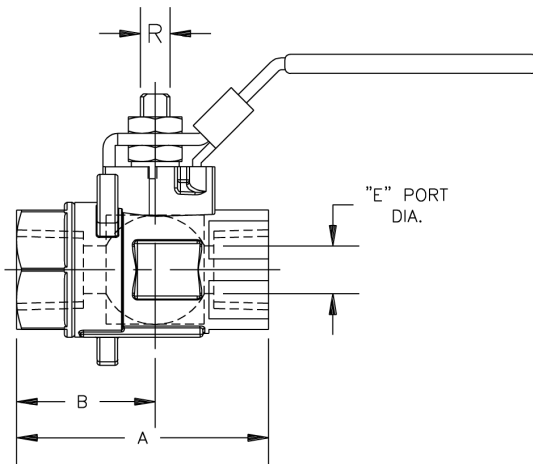
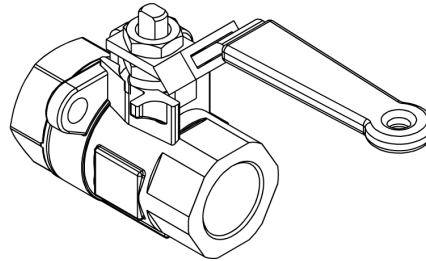
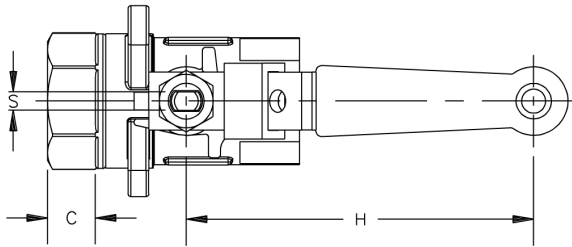
Effective: August 2013

K-81-1400

## Lock-Out Valve, Stainless Steel (without Limit Switch)

### FEATURES

- For Use with UL Listed, ULC Listed and FM Approved Systems
- See Kidde® Manual 220610 for USCG Approval



### Ordering Information

Valve Size	Part Number	Approximate Dimensions (inches)										Approx. WT (lb)	Valve Style
		A	B	C	D	E	F	H	J	R	S		
1/4"	10611104	2.73	1.55	0.50	1.03	0.50	1.25	4.00	2.26	0.31	0.19	1.1	Reduced Port
1/2"	10611100	2.73	1.55	0.50	1.03	0.50	1.25	4.00	2.26	0.31	0.19	1.1	Reduced Port
3/4"	10611101	3.50	1.92	0.50	1.38	0.88	1.63	5.50	3.10	0.50	0.31	2.7	Full Port
1"	10611099	3.60	1.92	0.50	1.38	0.88	1.75	5.50	3.10	0.50	0.31	2.8	Reduced Port
1 1/4"	10611102	3.93	2.10	0.56	1.63	1.00	2.00	5.50	3.23	0.50	0.31	3.7	Reduced Port
1 1/2"	10611098	4.55	2.47	0.75	1.88	1.25	2.38	7.00	3.93	0.63	0.38	5.0	Reduced Port
2"	10611103	4.94	2.66	0.75	2.12	1.50	2.88	7.00	4.12	0.63	0.38	6.8	Reduced Port

---

## MATERIALS

- **Body:** Stainless Steel, 316
- **Cap, Body:** Stainless Steel, 316
- **Ball:** Stainless Steel, 316
- **Stem:** Stainless Steel, 17-4PH

## Working Pressure:

- 4500-psig (0.25" - 1.00")
- 3000-psig (1.25" - 2.00")

## End Connection:

- FE x FE, NPT

## Reference Data Sheets:

- K-81-1410 (fitted with NEMA 4, 4X LS)
- K-81-1420 (fitted with explosion-proof LS)
- K-81-1300 (carbon steel variant)

Kidde is a registered trademark of Kidde-Fenwal Inc. All other trademarks are the property of their respective owners.

This literature is provided for informational purposes only. KIDDE-FENWAL, INC. assumes no responsibility for the product's suitability for a particular application. The product must be properly applied to work correctly. If you need more information on this product, or if you have a particular problem or question, contact KIDDE-FENWAL, INC., Ashland, MA 01721. Telephone: (508) 881-2000.

