

CO₂ Component Description



**IMO Cabinet, Release Cable,
P/N: 81-840206-200**

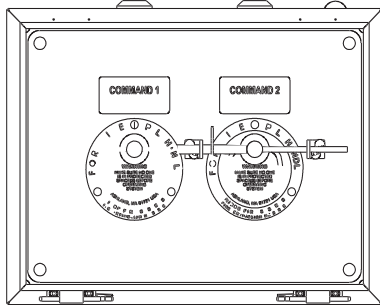
Effective: October 2013
K-81-2102 Rev AB

FEATURES

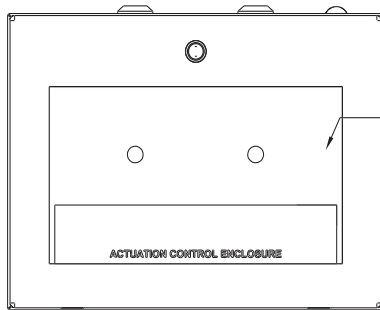
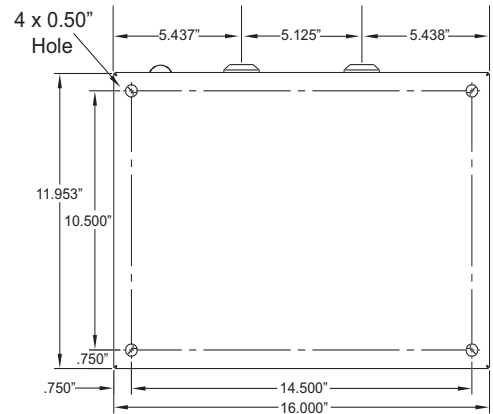
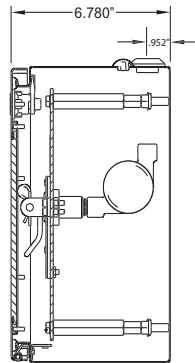
- FSS Code Compliant
- NEMA 4X
- United States Coast Guard Approved Equipment

CABINET ASSEMBLY

2 x 3/8" NPT F Welded on Fitting 1/2" Hole, Griptight Fitting*



This View Shown Without Cover



Clear Front Window

*Heyco M3444 Liquid Tight Cordgrip, shipped loose.

MATERIAL

- Stainless Steel, 304

ORDER INFORMATION

Part No.	Description
81-840206-200	IMO Cabinet, Release Cable

This literature is provided for informational purposes only. KIDDE-FENWAL, INC. assumes no responsibility for the product's suitability for a particular application. The product must be properly applied to work correctly. If you need more information on this product, or if you have a particular problem or question, contact KIDDE-FENWAL, INC.

Kidde is a registered trademark of Kidde-Fenwal Inc. All other trademarks are the property of their respective owners.