

CO₂ Component Description



**Fiberglass IMO Cabinet, Release Cable,
P/N: 81-840206-201**

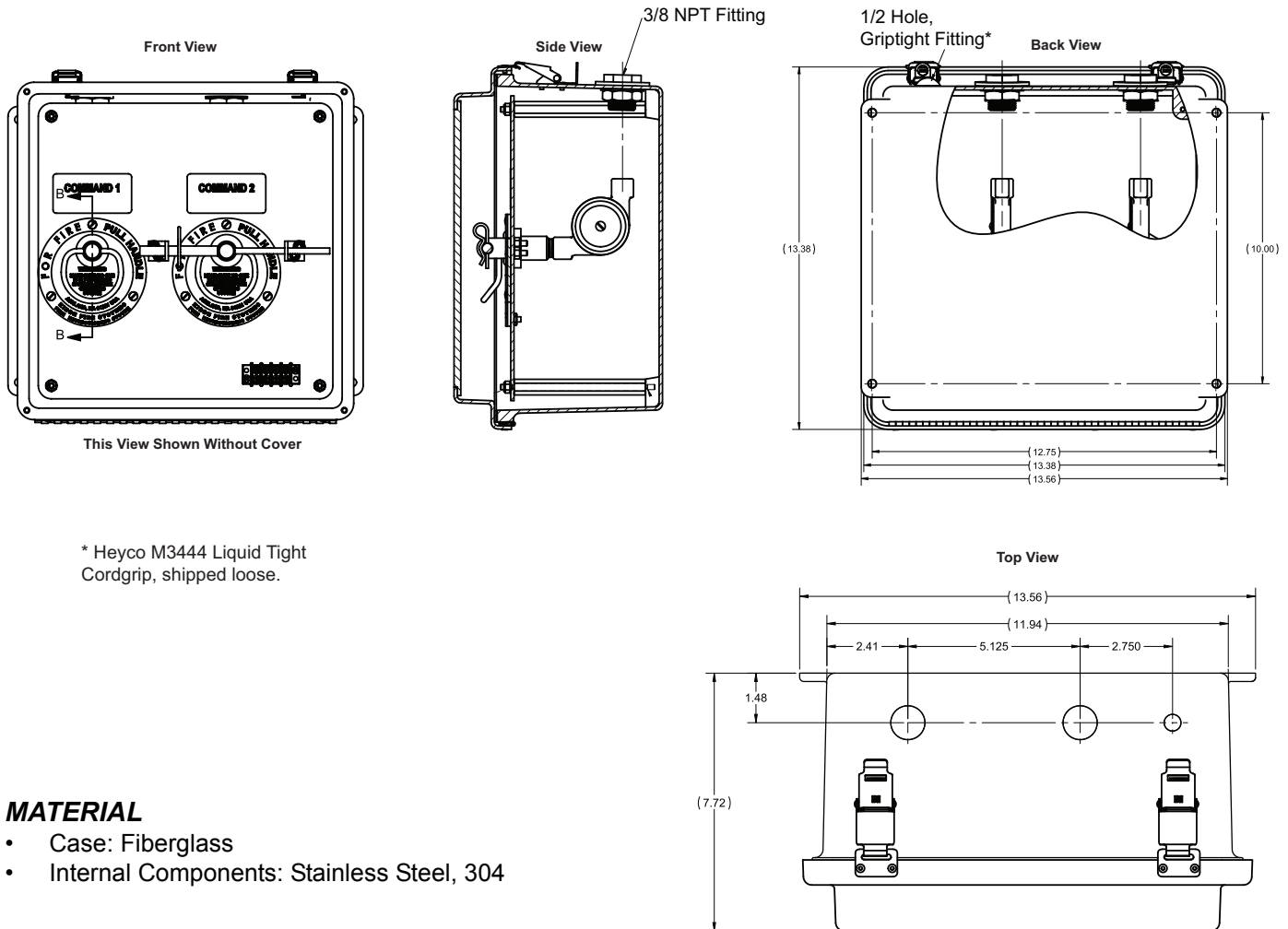
Effective: October 2013

K-81-2104 Rev AB

FEATURES

- FSS Code Compliant
- NEMA 4X
- United States Coast Guard Approved Equipment

CABINET ASSEMBLY



* Heyco M3444 Liquid Tight Cordgrip, shipped loose.

MATERIAL

- Case: Fiberglass
- Internal Components: Stainless Steel, 304

ORDER INFORMATION

Part No.	Description
81-840206-201	Fiberglass IMO Cabinet, Release Cable

This literature is provided for informational purposes only. KIDDE-FENWAL, INC. assumes no responsibility for the product's suitability for a particular application. The product must be properly applied to work correctly. If you need more information on this product, or if you have a particular problem or question, contact KIDDE-FENWAL, INC.

Kidde is a registered trademark of Kidde-Fenwal Inc. All other trademarks are the property of their respective owners.