

# CO<sub>2</sub> Component Description



**IMO Interlock Assembly, N2 Release,  
P/N: 81-840206-001**

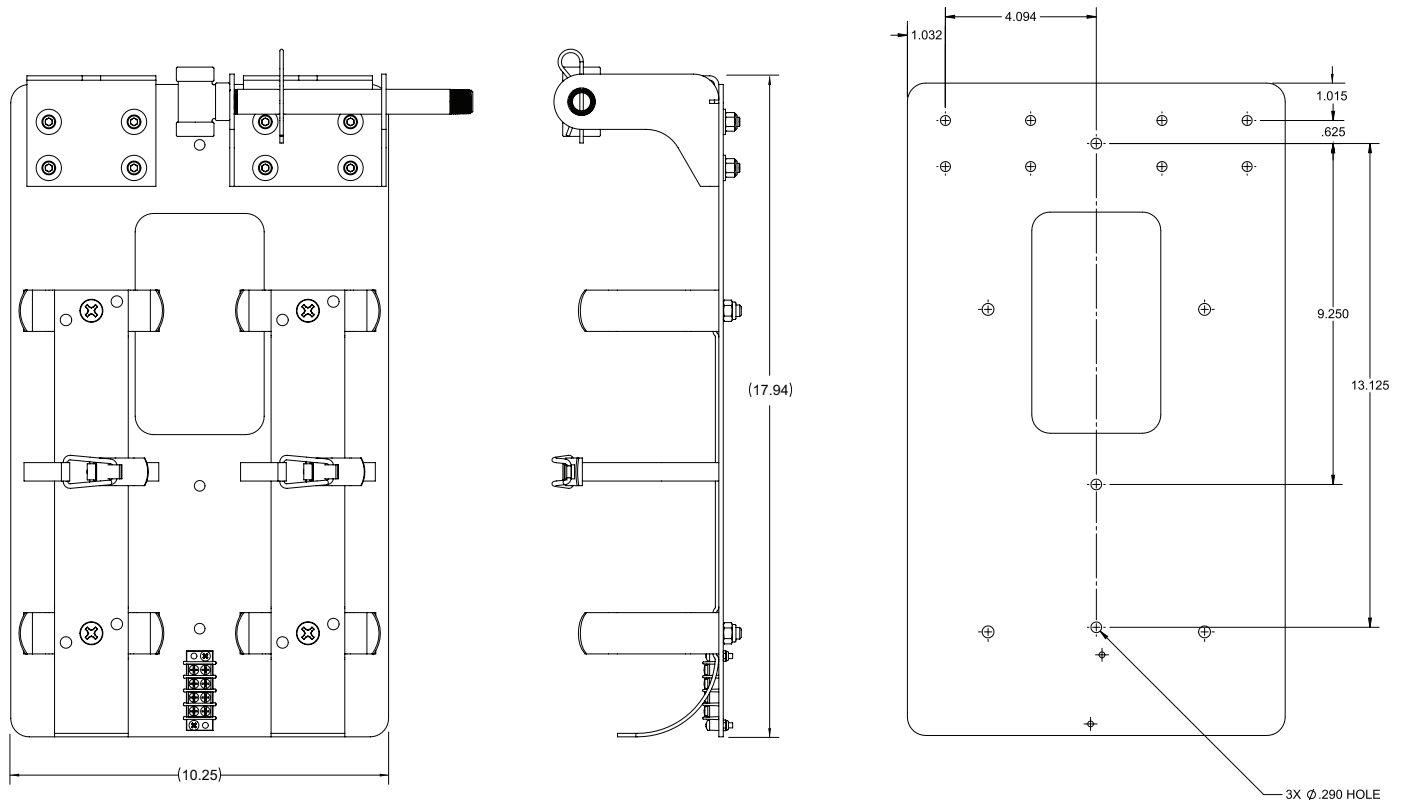
Effective: October 2013

**K-81-2105 Rev AB**

## FEATURES

- *FSS Code Compliant*
- *NEMA 4X*
- *United States Coast Guard Approved Equipment*

## INTERLOCK ASSEMBLY



## MATERIAL

- Stainless Steel, 304

## ORDER INFORMATION

Part No.	Description
81-840206-001	IMO Interlock Assembly, N2 Release

This literature is provided for informational purposes only. KIDDE-FENWAL, INC. assumes no responsibility for the product's suitability for a particular application. The product must be properly applied to work correctly. If you need more information on this product, or if you have a particular problem or question, contact KIDDE-FENWAL, INC.

Kidde is a registered trademark of Kidde-Fenwal Inc. All other trademarks are the property of their respective owners.