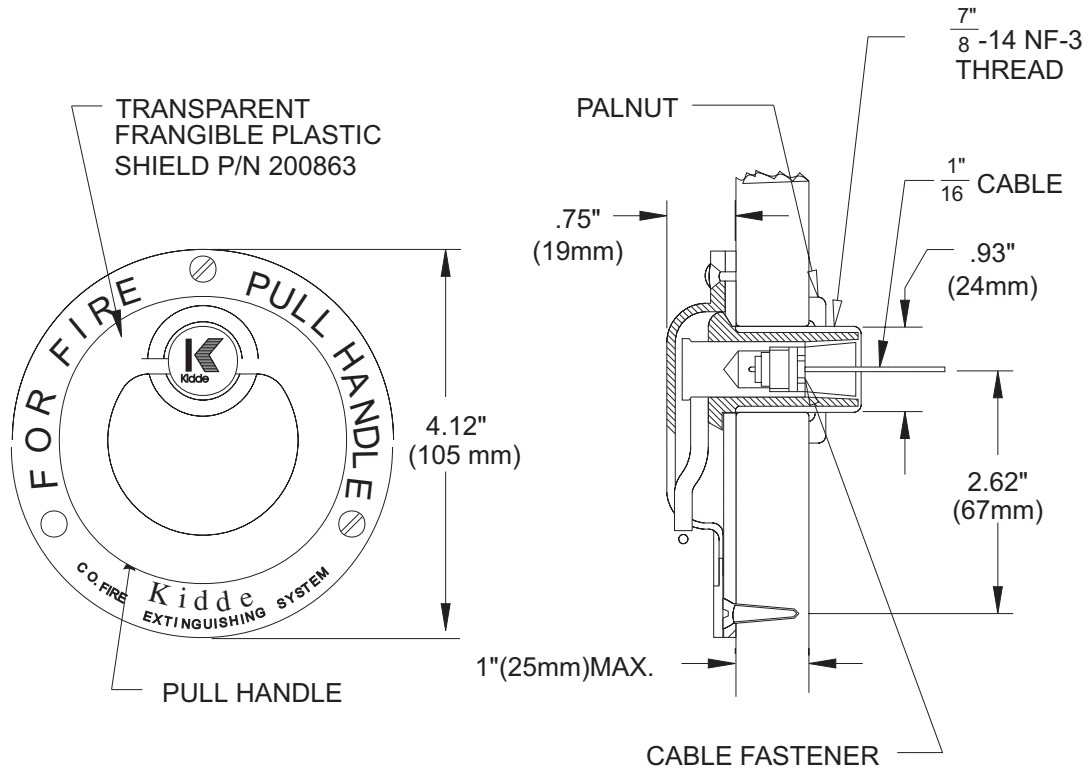


CO₂ Component Description

Flush Pull Box, Yacht Type

Effective: February 2008
K-81-6070

P/N: 840098



MATERIALS

FRANGIBLE SHIELD: LUCITE

BODY: BRASS

HANDLE: STAINLESS STEEL

MOUNTING HARDWARE PROVIDED:

3- 10-32 FLAT HEAD SCREWS - 1/2 INCH (13 MM) LONG

3- NO. 10 FLAT HEAD WOOD SCREWS (SHOWN) 3/4 INCH (19 MM) LONG

This literature is provided for informational purposes only. KIDDE-FENWAL, INC. assumes no responsibility for the product's suitability for a particular application. The product must be properly applied to work correctly. If you need more information on this product, or if you have a particular problem or question, contact KIDDE-FENWAL, INC., Ashland, MA 01721. Telephone: (508) 881-2000.

Kidde Fire Systems
A UTC Fire & Security Company
400 Main Street
Ashland, MA 01721
Ph: 508.881.2000
Fax: 508.881.8920
www.kiddefiresystems.com