

Model 878752 Suppression System Abort Station

FEATURES

- UL Listed, File # S3743
- Flush or Surface Mount
- One Normally Open Contact
- Sized for Double Gang Box
- Large Yellow Push Button Switch

DESCRIPTION

The Kidde Model 878752 Abort Station features a large, easy-to-operate abort push button. The momentary type switch is very easy to see due to its highly visible yellow color. The abort station stainless steel faceplate is clearly labelled with operation procedures—eliminating indecision and hesitation.

The Backbox is painted with red enamel and is provided with four 1/2-inch knockouts. The pre-drilled and tapped mounting tabs allow for easy attachment of the abort station.

TECHNICAL SPECIFICATIONS

Electrical Ratings:

One normally open momentary contact rated 2.5 Amps @ 120 Vdc

Ambient Temperature:

-13°F to 158°F (-25°C to 70°C)

Terminals:

Captive screws and saddle clamps accept 14 AWG to 24 AWG wire

Mounting:

Four 6-32 x 1/2-inch mounting screws included

ORDERING INFORMATION

| Part Number | Description | Shipping Weight |
|---------------|----------------------------|-----------------|
| 84-878752-010 | Abort Station | 2 lb. (.9 kg) |
| 84-878752-020 | Abort Station with Backbox | 3 lb. (1.4 kg) |
| 84-296105-000 | Backbox | 1 lb. (.45 kg) |

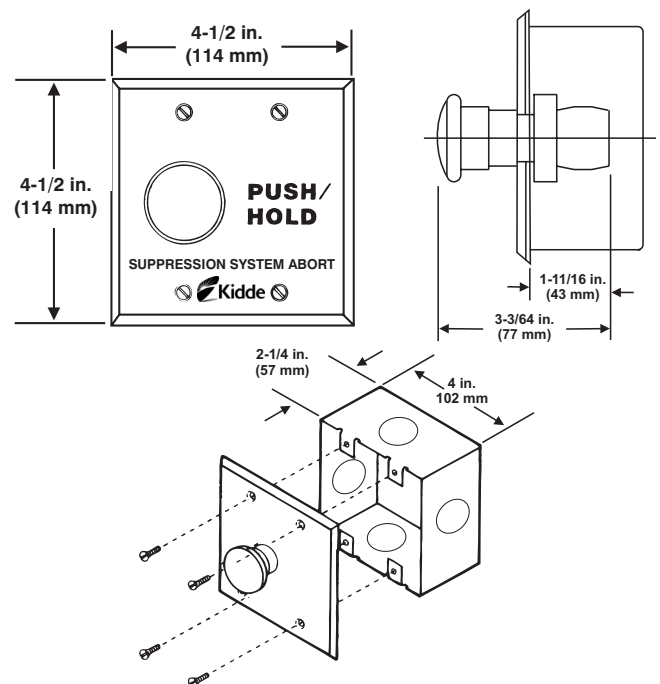


Figure 1. Dimension Details

This literature is provided for informational purposes only. KIDDE-FENWAL, INC. assumes no responsibility for the product's suitability for a particular application. The product must be properly applied to work correctly. If you need more information on this product, or if you have a particular problem or question, contact KIDDE-FENWAL, INC., Ashland, MA 01721. Telephone: (508) 881-2000.

Kidde Fire Systems
A UTC Fire & Security Company
400 Main Street
Ashland, MA 01721
Ph: 508.881.2000
Fax: 508.881.8920
www.kiddefiresystems.com