

# FM-200<sup>®</sup> Component Description

## Flush Pull Box, Yacht Type



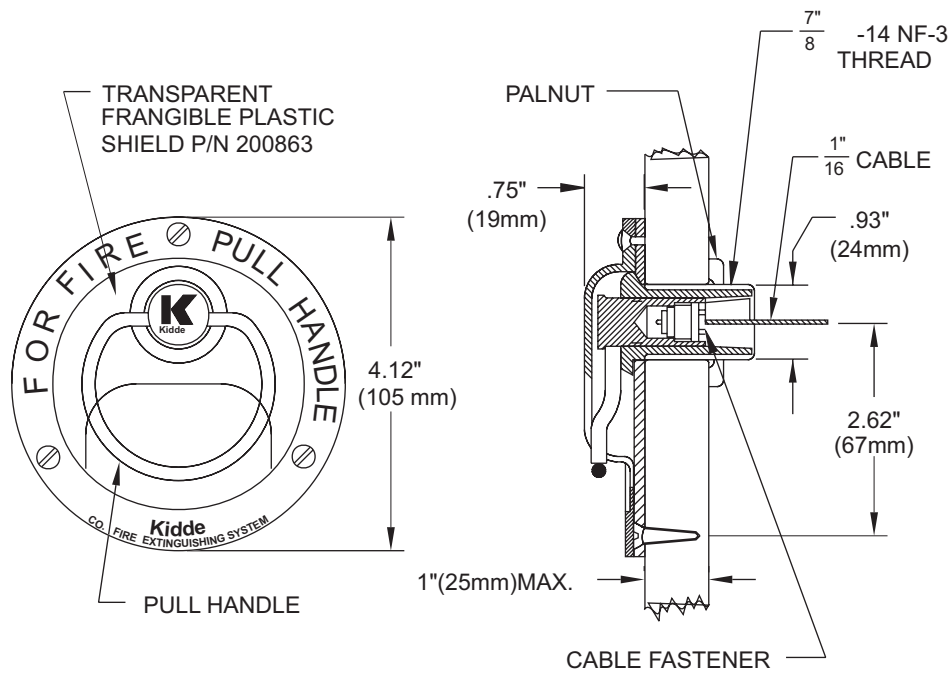
A UTC Fire & Security Company

Effective: February 2008  
**K-90-6070**

### FEATURES

- *UL Listed*
- *FM Approved*

P/N: 840098



MOUNTING HARDWARE PROVIDED:  
3 - 10-32 FLAT HEAD SCREWS -  $\frac{1}{2}$ " (13mm) LONG  
3 - NO. 10 FLAT HEAD WOOD SCREWS (SHOWN)  
 $\frac{3}{4}$ " (19mm) LONG

### MATERIALS:

- Frangible Shield: Red paint with black raised letters
- Body: Brass
- Handle: Stainless Steel

FM-200 is a registered trademark of the Great Lakes Chemical Corporation.

This literature is provided for informational purposes only. KIDDE-FENWAL, INC. assumes no responsibility for the product's suitability for a particular application. The product must be properly applied to work correctly. If you need more information on this product, or if you have a particular problem or question, contact KIDDE-FENWAL, INC., Ashland, MA 01721. Telephone: (508) 881-2000.

Kidde Fire Systems  
A UTC Fire & Security Company  
400 Main Street  
Ashland, MA 01721  
Ph: 508.881.2000  
Fax: 508.881.8920  
[www.kiddefiresystems.com](http://www.kiddefiresystems.com)