

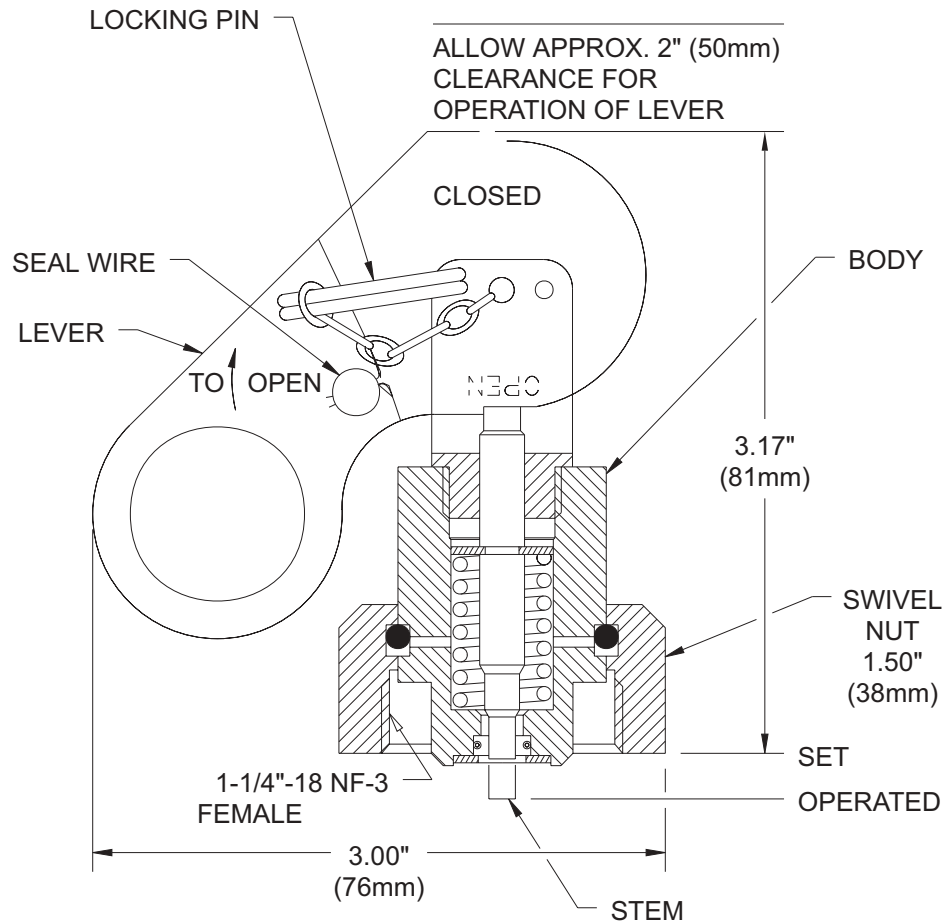
CO₂ Component Description

Lever Operated Control Head

Effective: April 2002

K-81-6010

P/N: 870652



MATERIALS

LEVER: STAINLESS STEEL

BODY: BRASS

This literature is provided for informational purposes only. KIDDE-FENWAL, INC. assumes no responsibility for the product's suitability for a particular application. The product must be properly applied to work correctly. If you need more information on this product, or if you have a particular problem or question, contact KIDDE-FENWAL INC., Ashland, MA 01721. Telephone: (508) 881-2000