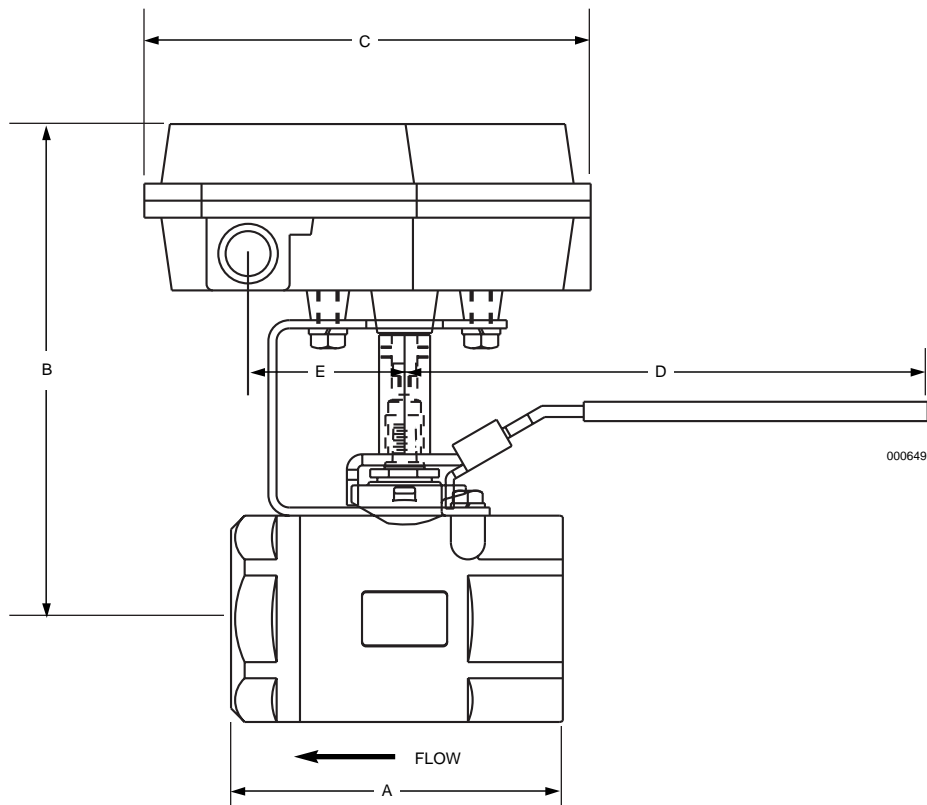




Lock Handle Stop Valve

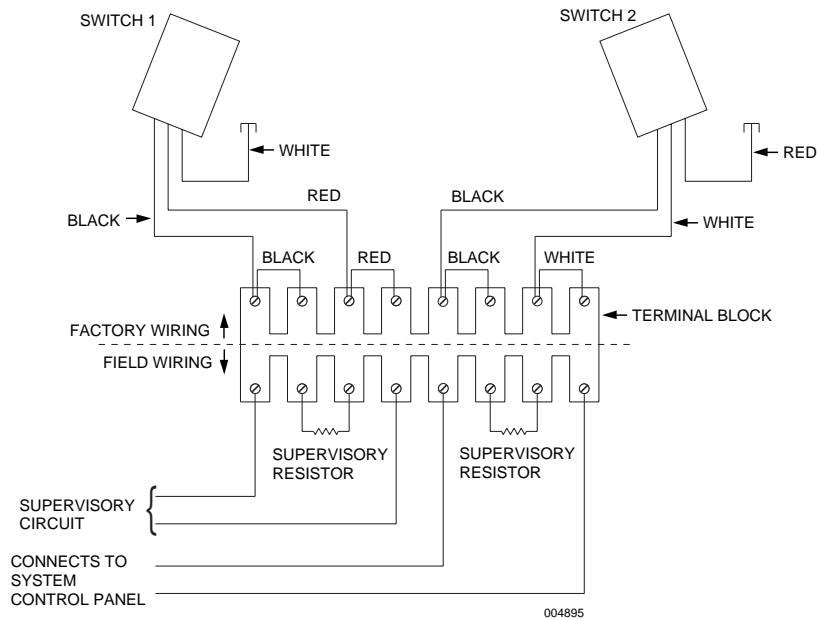
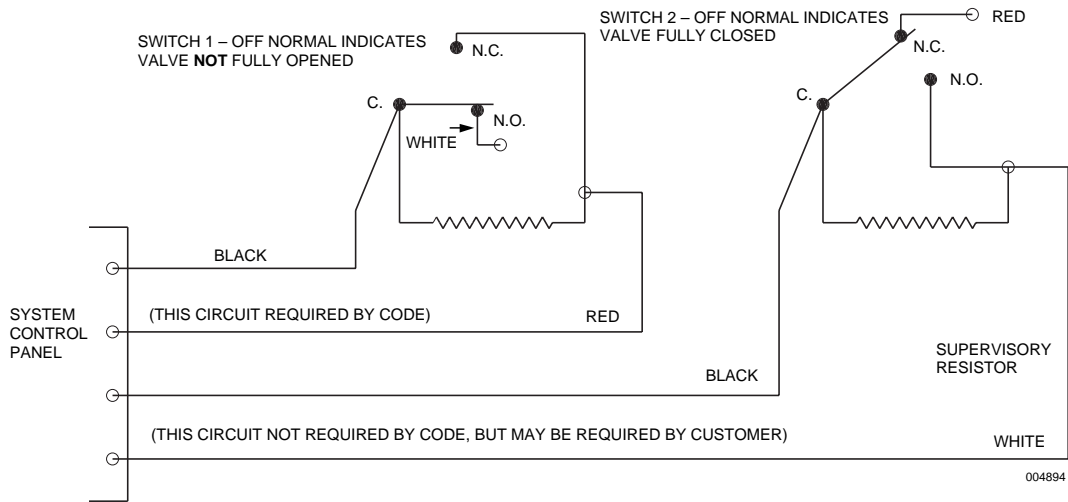
The lock handle stop valve is a manually operated valve located in various locations of the piping system. The valve is used to inhibit the discharge of CO₂ into an entire system or specific area of a system. The valve is equipped with a slide locking device to padlock the valve

in the closed position. Each valve is equipped with a monitoring switch to provide constant supervision of the valve at the control panel with contacts for the open and closed positions. Install warning sign, Part No. 428974, in easily visible location near valve.



		Dimensions										
Size	Part No.	A		B		C		D		E		Weight
		in.	(mm)	in.	(mm)	in.	(mm)	in.	(mm)	in.	(mm)	lbs. (kg)
1/2"	428153	2.36	(60)	7.07	(179)	6.56	(167)	4.19	(106)	2.3	(58)	6 (2.7)
3/4"	428154	2.80	(71)	7.25	(184)	6.56	(167)	5.75	(146)	2.3	(58)	7 (3.2)
1"	428155	3.23	(82)	7.41	(188)	6.56	(167)	5.75	(146)	2.3	(58)	7 (3.2)
1 1/4"	428156	3.62	(92)	7.55	(192)	6.56	(167)	7.63	(194)	2.3	(58)	8 (3.6)
1 1/2"	428157	4.06	(103)	7.75	(197)	6.56	(167)	7.63	(194)	2.3	(58)	9 (4.1)
2"	428158	4.65	(118)	8.02	(204)	6.56	(167)	7.63	(194)	2.3	(58)	11 (5.0)

Depth: 6" (152 mm)



CARBON DIOXIDE SYSTEM LOCK-OUT VALVE

VALVE MUST BE CLOSED AND LOCKED PRIOR TO ENTRY OF PROTECTED SPACE

NOTIFY PROPER PERSONNEL PRIOR TO CLOSING VALVE (TROUBLE ALARM WILL SOUND)

ALTERNATE FIRE PROTECTION MUST BE PROVIDED WHILE THIS VALVE IS CLOSED

VALVE MUST BE RESET AFTER EXIT FROM PROTECTED SPACE TO RETURN PROTECTION AND ALARM SYSTEMS TO STAND-BY STATUS



WARNING

CARBON DIOXIDE DOES NOT SUPPORT LIFE. FAILURE TO LOCK-OUT THE CARBON DIOXIDE SYSTEM BY CLOSING AND LOCKING THIS VALVE BEFORE ENTRY INTO THE PROTECTED SPACE MAY CAUSE INJURY OR DEATH IF THE SYSTEM ACTUATES.

ANSUL INCORPORATED, ONE STANTON STREET, MARINETTE, WI 54143-2542

LABEL NO. 428974