

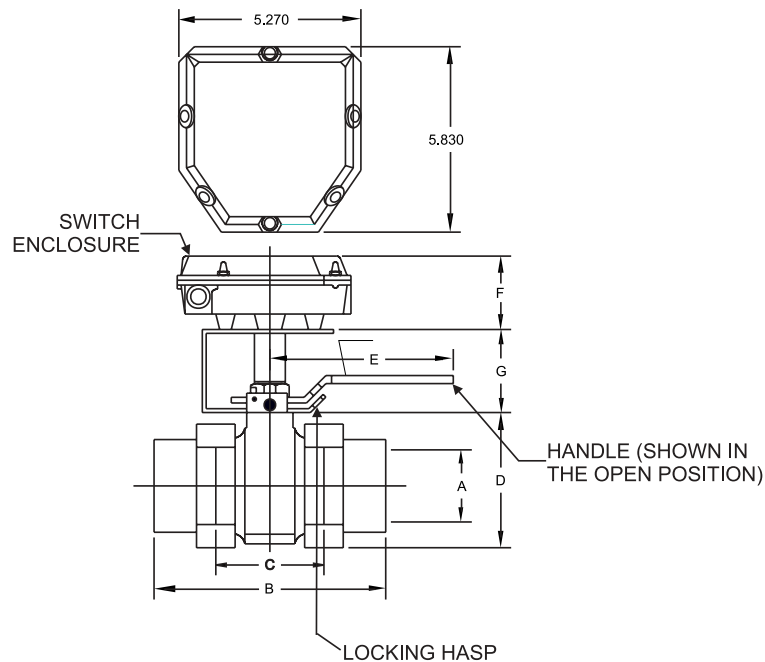
CO₂ Component Description

CO₂ Lock Out Valve With Limit Switch

Effective: April 2002
K-81-1250

ASSY. PART NO.	GENERAL DIMENSIONS							
	SIZE: IN	A	B	C	D	E	F	G
81-934711-000	1/2	.660	3.939	1.938	2.250	5.500	2.800	2.500
81-934712-000	3/4	.810	4.500	2.188	2.600	5.500	2.800	2.500
81-934713-000	1	1.000	4.938	2.375	2.990	6.500	2.800	2.500
81-934714-000	1 1/2	1.440	5.875	2.750	3.870	8.500	2.800	2.750
81-934715-000	2	1.720	6.875	3.375	4.500	8.500	2.800	2.750

* Dimensions are in inches.



MATERIALS

**BODY: CARBON STEEL WITH
BALL AND STEM: 316 STAINLESS
SEATS AND SEALS: TEFLON**

1. BALL VALVE:

PRESSURE RATING 2,500 PSIG

DOUBLE UNION END WITH NPT FEMALE PIPE CONNECTIONS LOCKING HANDLE AND BRACKET FOR BOTH OPEN (PARALLEL WITH VALVE BODY) AND CLOSED (PERPENDICULAR TO VALVE BODY)

2. LIMIT SWITCH:

TWO (2) SPDT SWITCHES
NEMA 4 ENCLOSURE

3. LOCK NOT INCLUDED

This literature is provided for informational purposes only. KIDDE-FENWAL, INC. assumes no responsibility for the product's suitability for a particular application. The product must be properly applied to work correctly. If you need more information on this product, or if you have a particular problem or question, contact KIDDE-FENWAL INC., Ashland, MA 01721. Telephone: (508) 881-2000

Kidde Fire Systems
400 Main Street
Ashland, MA 01721 USA
Tel: (508) 881-2000
Fax: (508) 881-8920
<http://www.kiddefiresystems.com>